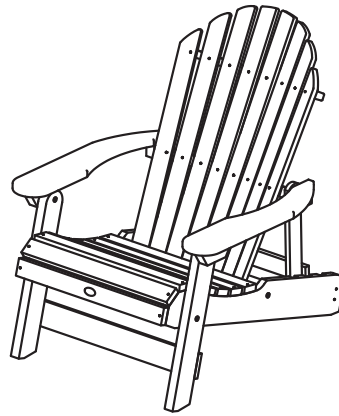


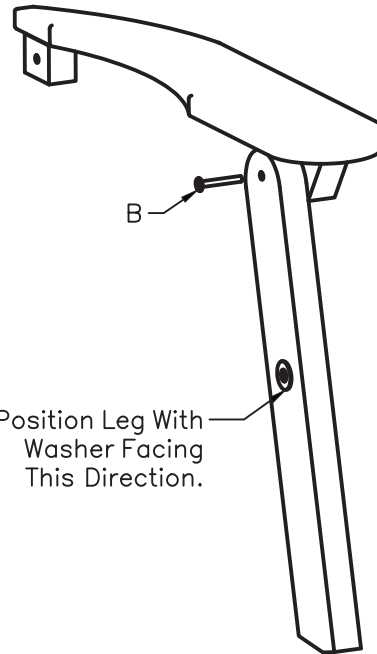
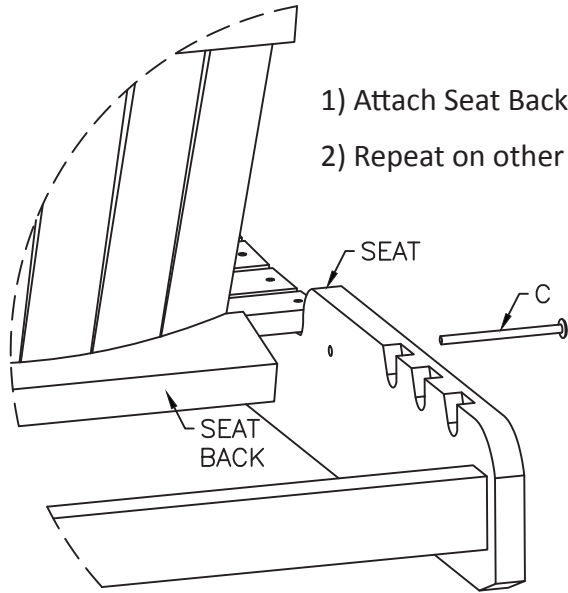
ADIRONDACK COLLECTION

HAMILTON KING CHAIR

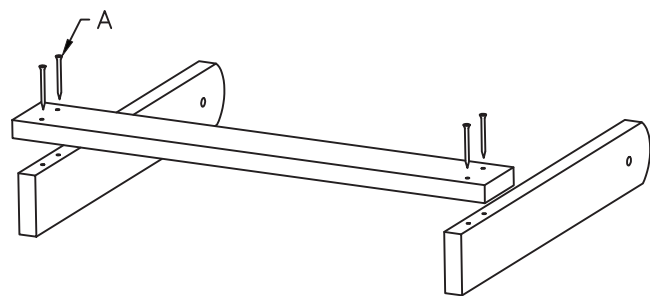
ASSEMBLY GUIDE



- 1) Attach Seat Back to Seat with Bolt C.
- 2) Repeat on other side.



Position Leg With Washer Facing This Direction.



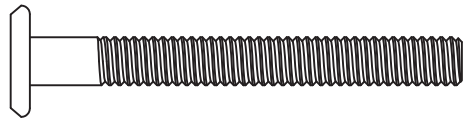
- 3) Attach Back Support Rail (Shorter Board) to Back Support Sides with four A screws.

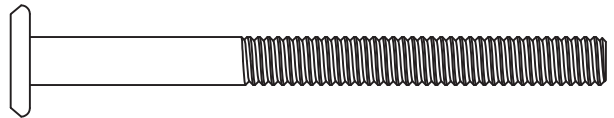
- 4) Attach Leg to Arm Assembly using Bolt B.

- 5) Repeat on other side.

HARDWARE

A  x10

B  x4

C  x4

IMPORTANT!

DO NOT fully tighten the bolts until all bolts are started. Once all bolts are inserted, then go back and tighten all the bolts.

INCLUDED TOOLS



TORX BIT



HEX KEY

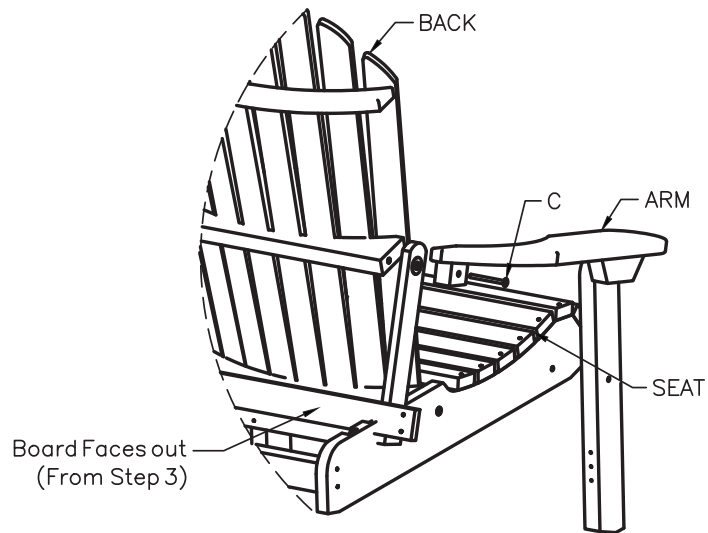
CUSTOMER-SUPPLIED TOOLS

Cordless screwdriver/drill OR
Multi-bit handle for the Torx bit.

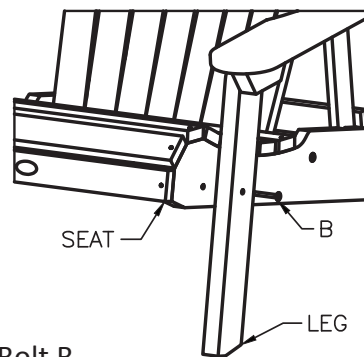
ADIRONDACK COLLECTION

HAMILTON KING CHAIR

ASSEMBLY GUIDE



- 6) Attach Arm and Back Support to Back with Bolt C.
7) Repeat on other side.

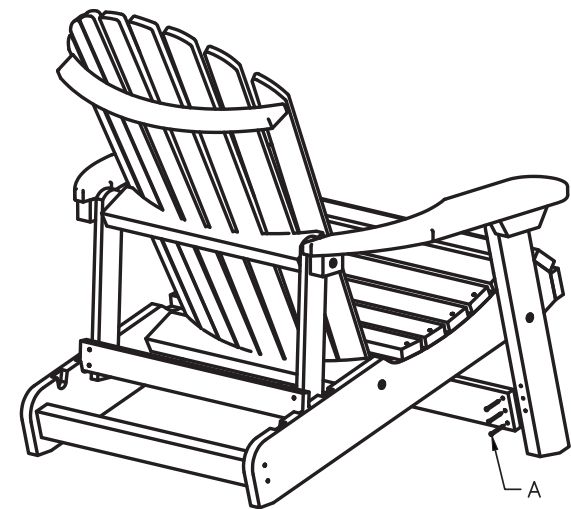


- 8) Attach Front Leg to Seat using Bolt B.
9) Repeat on other side.

IMPORTANT NOTES

NEVER adjust the level of recline while you are sitting in the chair, or while anyone else is in the chair. Always adjust with an empty chair and ensure that the back-support is completely secure in the recline-slots on each side of the chair.

To fold the chair, lift the back-support and push down on the seat back gently... the chair will collapse down to the floor level.



- 10) Attach Front Leg Support to Front Leg with three A Screws.
11) Repeat on other side.