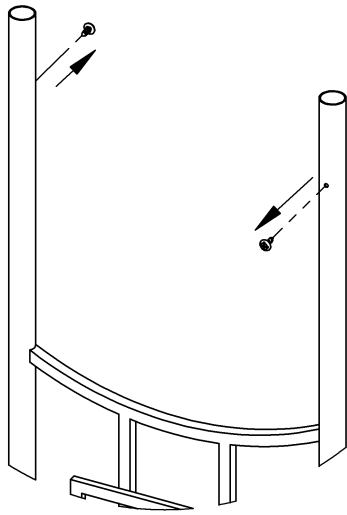
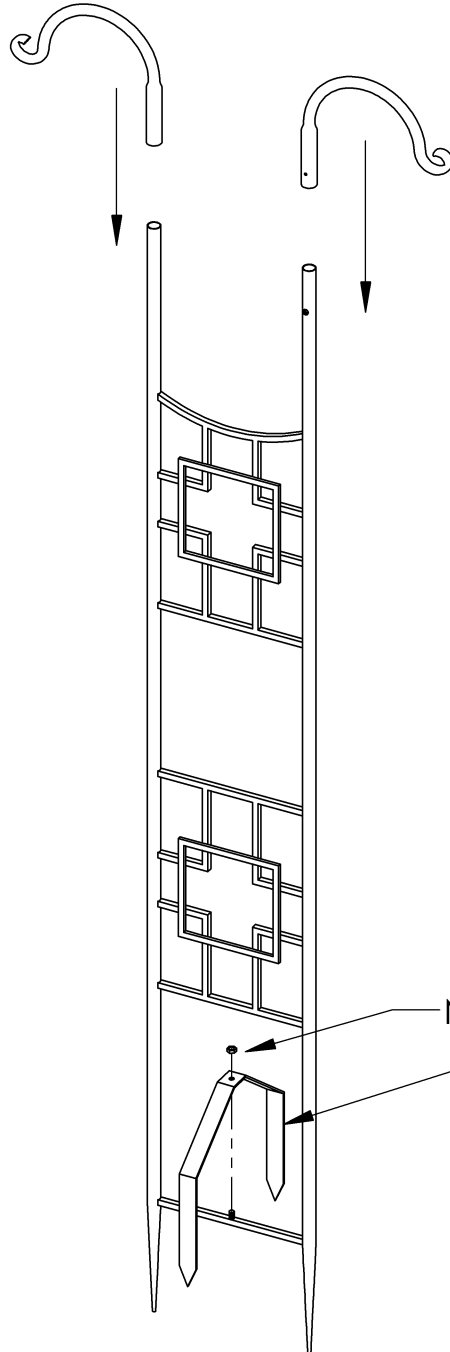


1) Remove screws



2) Slide brackets and stake into place. Secure Nut over stake.



3) Replace screws and tighten down. Do Not Over Tighten

