

Assembly Instructions for Highback Swing

Items: FS48HCB, FS60HCB

Tools needed for assembly:
 Phillips head screwdriver or drill.
 Ratchet.
 Hammer for tapping bolts and screws.
 1/2" Socket.
 7/16" Socket

Step 1 Lay out all the parts and identify them by comparing them with the drawings.

Step 2 Bolt the seat and back assemblies together with the 5-1/2" long bolts.
 (Hand tighten.) Using a small washer on both ends.

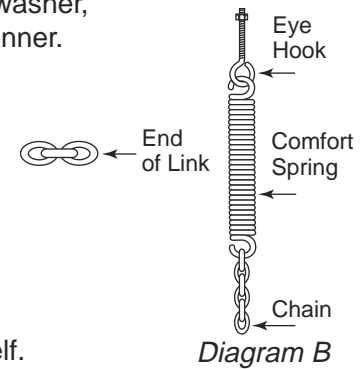
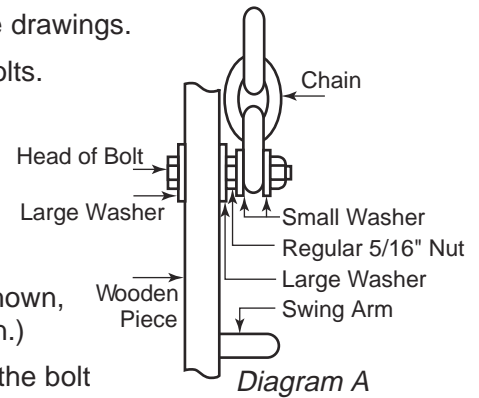
Step 3 Lay the swing on its back. Using the 1-5/8" screws fasten the 5" boards to the top and bottom.
 (Be sure to keep the spacing the same as the other slats.)
 This is to avoid any damage from shipping.

Step 4 Fasten the arm assemblies to the seat and back assemblies as shown, with four 3" bolts, with a washer under the nuts only. (Hand tighten.)

Step 5 Put a large washer on a 5/16" x 2-1/2" swing chain bolt and push the bolt through one of the appropriate holes (see Diagram A). From the *inside* out. Put another large washer on the outside and a regular nut, and tighten. Slip a small washer on next, then the chain, (see Step 6) another small washer, and last of all, a nylon insert lock nut. Do the other three in the same manner.

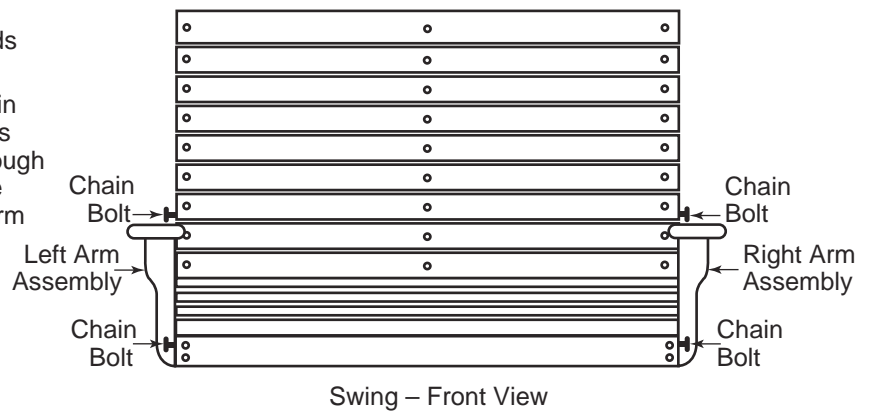
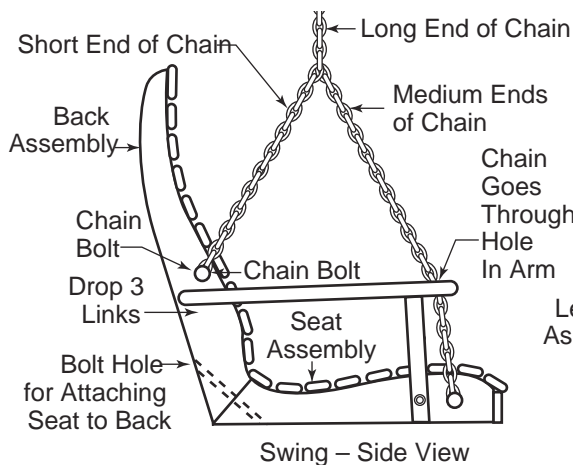
Step 6 There are three lengths to the swing chain. The short end of the chain attaches to the back of the swing. Place the end link in between the washers. Tighten the 1/2" locknut (do not tighten the nut so tight that it restricts the movement of the chains). The medium length chain goes through the arm hole and attach to the bolt between the washers. Tighten the 1/2" locknut (do not tighten the nut so tight that it restricts the movement of the chains). The longest length of the chain will be used to hang your swing. Most people are comfortable with the chains on the end links, but if you want more or less angle, adjust to suit yourself.

- When setting links for swings be sure to put on end of link not the middle of link.
- If you received our comfort springs, please look at Diagram B on how to utilize the springs.



There are swing chains available for the Traditional, Sweetheart and Fanbacks.

The chain is now manufactured in three lengths and made to fit a standard height which eliminates the need to drop down links. (Adjustment for higher seating is possible by dropping down links)



Parts List For Swing			
1 – Seat Assembly	1 – Left and 1 – Right Arm Assembly	4 – 1/2" Locknuts for Chains	
1 – Back Assembly	4 – 3" Carriage Bolts	4 – 5/16" x 2-1/2" Hex Head Bolts	
3 or 4 – 5-1/2" Bolts Depending on Length of Swing	10 or 12 – 1/4" Washers	8 – Large Washers	
	1 – Set Swing Chains	8 – Small Washers	
		4 – 5/16" Nuts	
		1 – #2 Square Bit (supplied as needed)	

*Please take note that our comfort springs have a maximum weight limit of 250 lbs. (per spring)

Checking (cracks in the wood) may occur with these products. This is a normal and natural occurrence in wood, and will not affect the structural integrity of the wood and this product.