

Porch Glider Assembly Instructions

Step 1: Lay out all the parts and identify each one by comparing them with the drawings.

Step 2: Fasten the seat and back assemblies together with the 5-1/2" long bolts. Then tighten with 7/16" socket using 1/4" washers on each end of bolts.

Step 3: Fasten the Arm & Leg Assemblies to the seat with the 3" bolts. Put a large washer on each end of the bolts. Put one 1/4 x 1" washer on bolt then slide through leg from outside ... then through seat. Add the other 1/4 x 1" washer then 1/4" nut and hand tighten. Fasten the arms to the back with the two 3" carriage (smooth head) bolts. Use a 1/4x1" washer under the nut only.

Step 4: (Step 4 is used for tall back gliders only.) Lay the glider seat on its back using the 1-1/2" screws and each 5" board to the top and bottom. (Be sure to keep the 1/4" spacing just like the other slats) - this is done to avoid any damage during shipping.

Step 5: (For all gliders except the tall back gliders.) Attach the stabilizer board to the front legs, and up against the bottom of the seat, with four 2" screws, turning it so the notches fit over the legs.

Step 6: For the Country Heart style only. Attach the Country Heart board with the Country Heartcutouts, to the top of the back, with the 1-5/8" screws provided. Leave the same space between it and the top slat, as there is between the rest of the slats. (this board is left off to avoid damage during shipping).

Step 7: Assemble the base using four 2-1/2"screws, four down through the top and two 3" in from each end. The feet are also mirror images of each other. Make sure the steel hangers are to the outside.

Step 8: Now slide the base in under the seat making sure that the hangers closest to the end of base are in front. The steel hangers on the front of the base are shorter, and closer to the end, than the back ones. (If the base is turned wrong, the glider seat will lean too far forward, and will not be as comfortable.) Slip the holes in the hanger onto the protruding bolts on the leg assembly, and follow up with the 5/16 x 1 1/4" washers, and 5/16 locknuts. Tighten all the way up, then loosen 1/4 turn. On the front hangers use your pliers on the inside and the socket on the outside to tighten.

We recommend periodically applying a few drops of oil or WD40 on each bearing.

- **When finished with the glider assembly, go over and tighten all nuts with pliers or socket set.**
- **Periodically tighten rocking glider to maintain stability. Enjoy your glider.**

Porch Glider Assembly Instructions

5' and 6' Glider Parts and Hardware List

- 1-Seat Assembly
- 1- Back Assembly
- 2- Arm and Leg Assemblies
- 1- Cross Member
- 2- Feet
- 2- 5" Boards

- 4- 1/4 x 5 1/2" hexhead bolts for seat and back
- 4- 1/4 x 3" hexhead bolts for arm and leg assemblies
- 2- 1/4 x 3" carriage bolts for arms
- 8- 1/4" washers for seat and back bolts
- 10- 1/4 x 1" fender washers for arm and leg assembly bolts
- 10- 1/4" hex nuts for all 1/4" bolts
- 16- 1 3/4" screws for 5" boards
- 4- 2 1/2" screws for top of cross member
- 4- 3" screws for end of cross member
- 4- 5/16 x 1 1/4" fender washers for glider hangers
- 4- 5/16 hex nuts for glider hanger bolts

4' Glider Parts and Hardware List

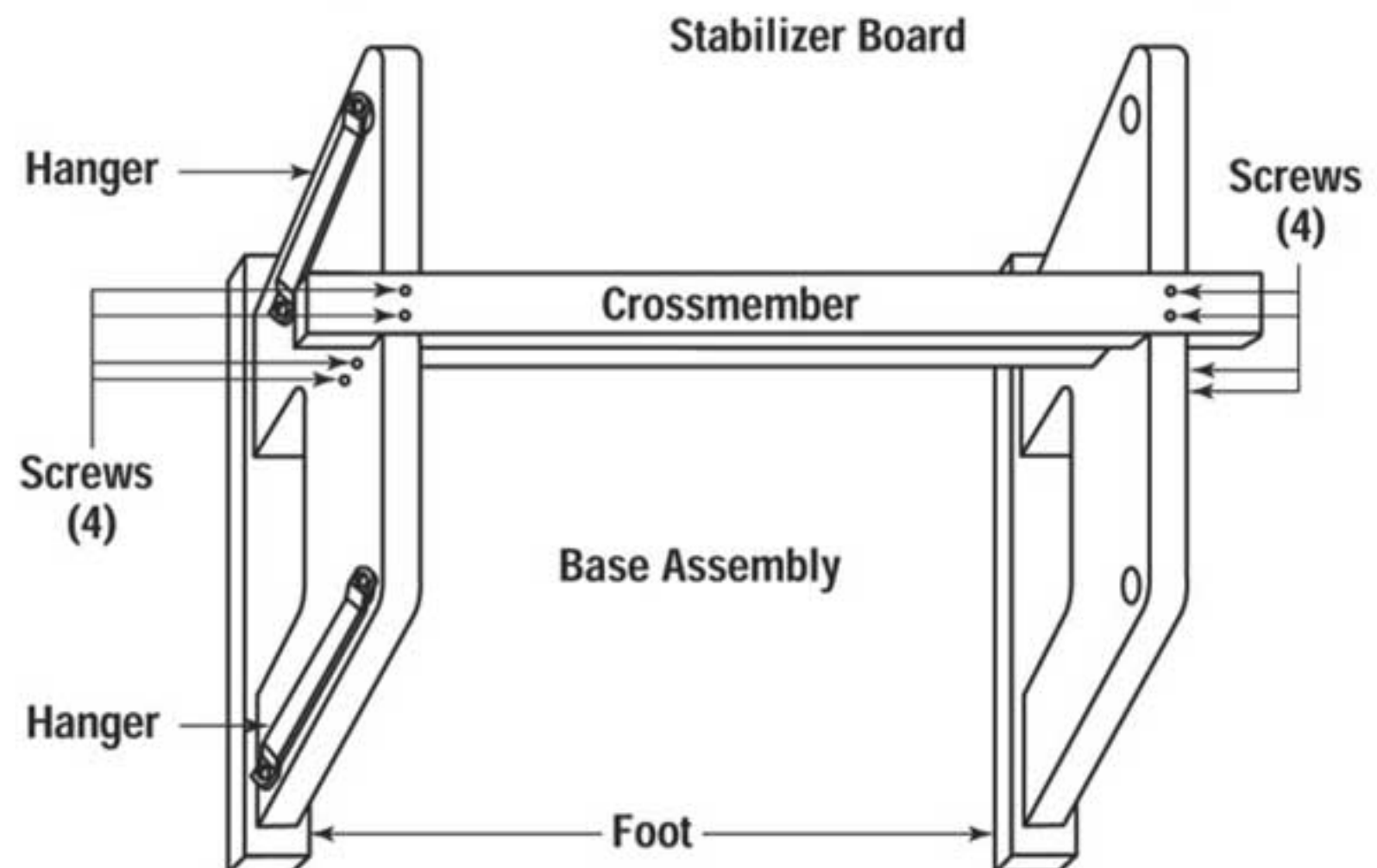
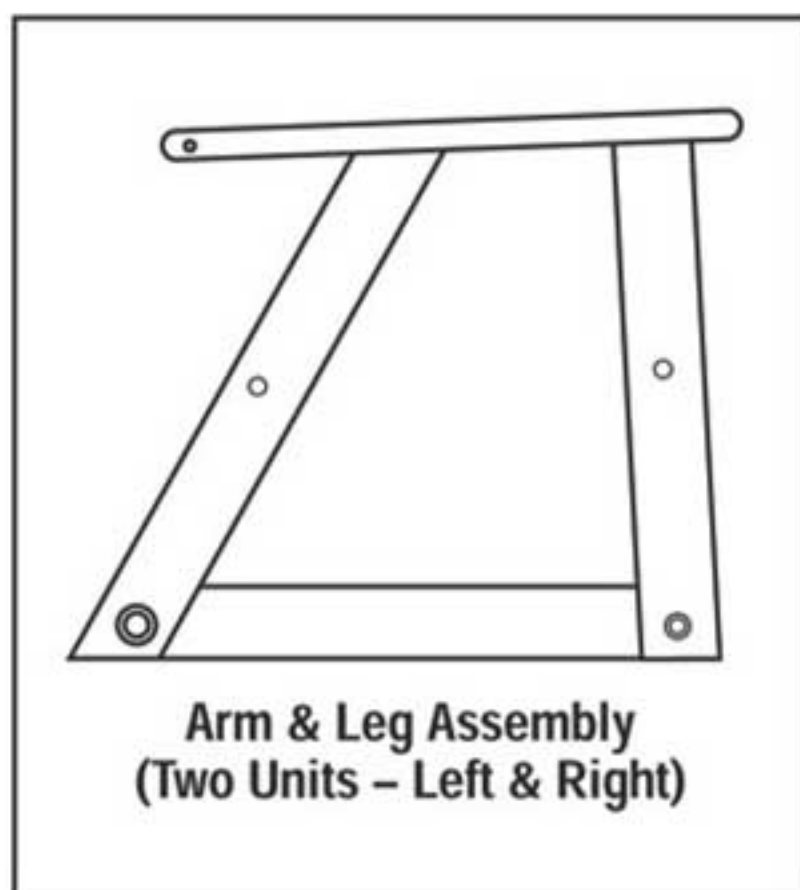
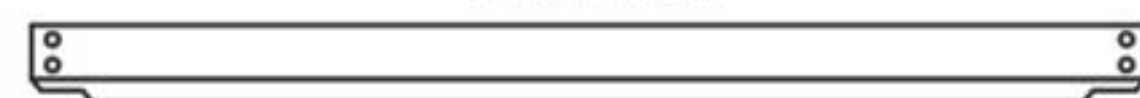
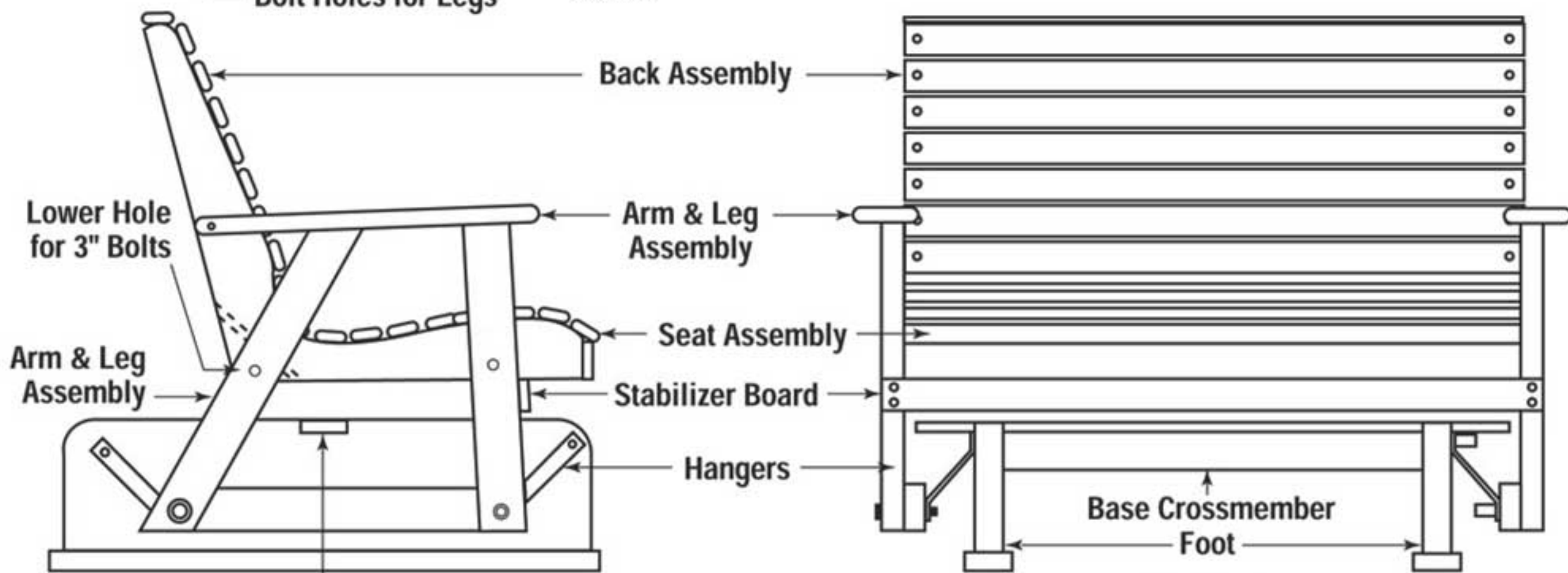
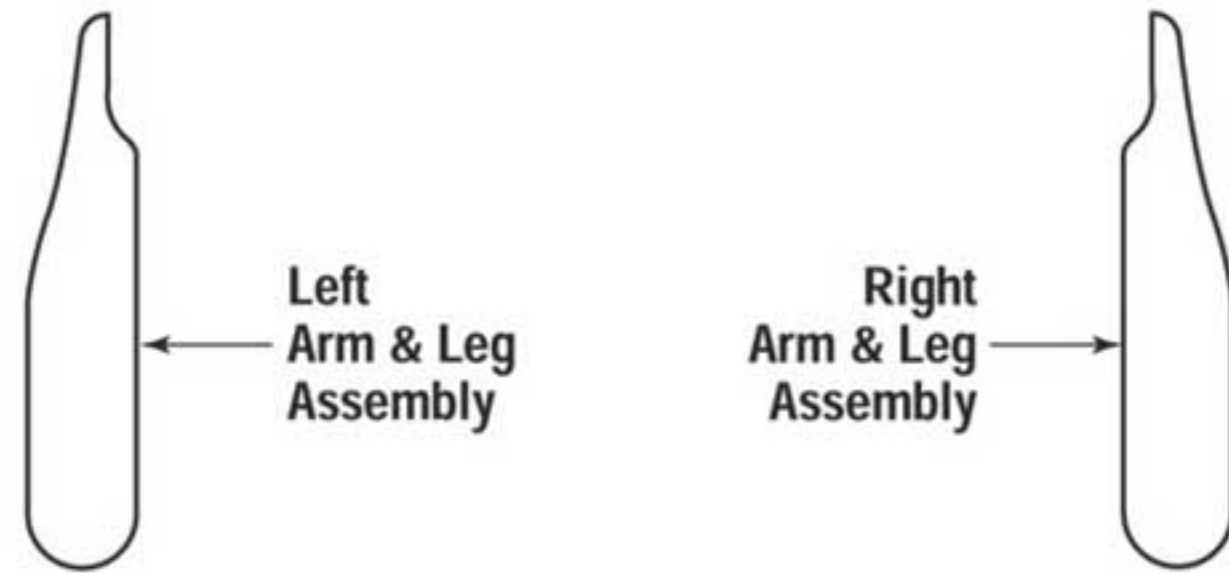
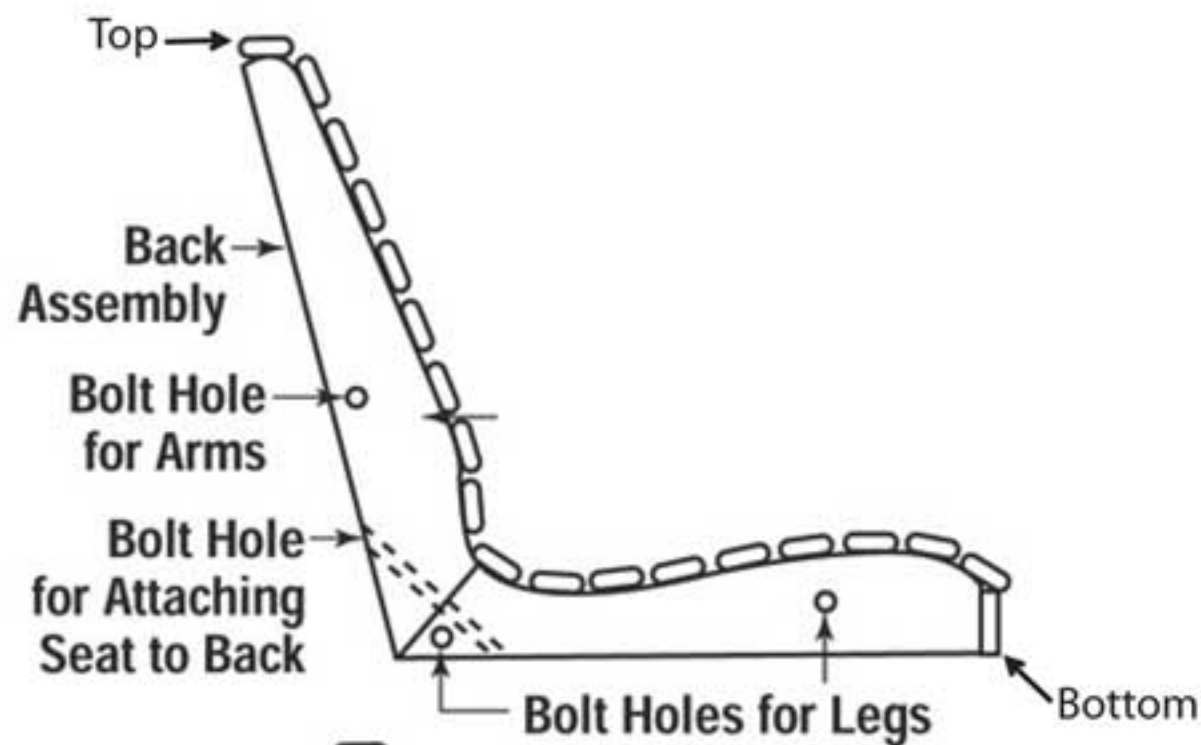
- 1-Seat Assembly
- 1- Back Assembly
- 2- Arm and Leg Assemblies
- 1- Cross Member
- 2- Feet
- 2- 5" Boards

- 3- 1/4 x 5 1/2" hexhead bolts for seat and back
- 4- 1/4 x 3" hexhead bolts for arm and leg assemblies
- 2- 1/4 x 3" carriage bolts for arms
- 6- 1/4" washers for seat and back bolts
- 10- 1/4 x 1" fender washers for arm and leg assembly bolts
- 9- 1/4" hex nuts for all 1/4" bolts
- 12- 1 3/4" screws for 5" boards
- 4- 2 1/2" screws for top of cross member
- 4- 3" screws for end of cross member
- 4- 5/16 x 1 1/4" fender washers for glider hangers
- 4- 5/16 hex nuts for glider hanger bolts

Porch Glider Assembly Instructions

Tools Needed For Assembly

Drill
Pliers and ratchet with 7/16" socket
Hammer for light tapping
1/2" socket for locknuts



Porch Glider Assembly Instructions

2' Glider Parts and Hardware List

- 1-Seat Assembly
- 1- Back Assembly
- 2- Arm and Leg Assemblies
- 1- Cross Member
- 2- Feet
- 2- 5" Boards

- 2- 1/4 x 5 1/2" hexhead bolts for seat and back
- 4- 1/4 x 3" hexhead bolts for arm and leg assemblies
- 2- 1/4 x 3" carriage bolts for arms
- 4- 1/4" washers for seat and back bolts
- 10- 1/4 x 1" fender washers for arm and leg assembly bolts
- 8- 1/4" hex nuts for all 1/4" bolts
- 8- 1 3/4" screws for 5" boards
- 4- 2 1/2" screws for top of cross member
- 4- 3" screws for end of cross member
- 4- 5/16 x 1 1/4" fender washers for glider hangers
- 4- 5/16 hex nuts for glider hanger bolts