

# Country Hearts Chair, Bench, and Glider Assembly Instructions

- Step 1** Take the back and seat assembly, attach with the 5" Carriage Bolt, insert into back part first then through angle in seat, put a washer and nut on the end and tighten.
- Step 2** Take arm and leg assembly, insert a 3½" Carriage Bolt into hole in arm and attach to back (*making sure you have correct arm, there is a left and right*). Next insert bolts in the legs and line up to holes in seat (*you may have to push bolt in all the way then pull leg away from seat and push bolt sideways or up and down to get bolt started*) put washers and nuts on ends and tighten.
- Step 3** FOR GLIDERS ONLY. Assemble frame underneath seat, take the 2 x 4's and attach to the blocks on the inside of the glider feet, using the 2½" self-drilling screws provided. Next set the seat over the frame then put the 2½" bolts through the hanger, and on through the holes in the legs. Next put Washers and Nuts on and tighten. Do not over tighten as it restricts the glider movement.

*Note: Due to product variations, the parts list may be different than what you actually receive with your product.*

## Parts List

- 1 – Seat Assembly
- 1 – Back Assembly
- 1 – Right Leg Assembly
- 1 – Left Leg Assembly

## Hardware

- 2 – ¼ x 5" Carriage Bolts
- 6 – ¼ x 3½" Carriage Bolts
- 9 – ¼ Washers & Nuts

## Glidens Parts List

- 2 – 2 x 4 Braces
- 2 – Foot Assemblies
- 1 – Right Leg Assembly
- 1 – Left Leg Assembly

## Glider Hardware

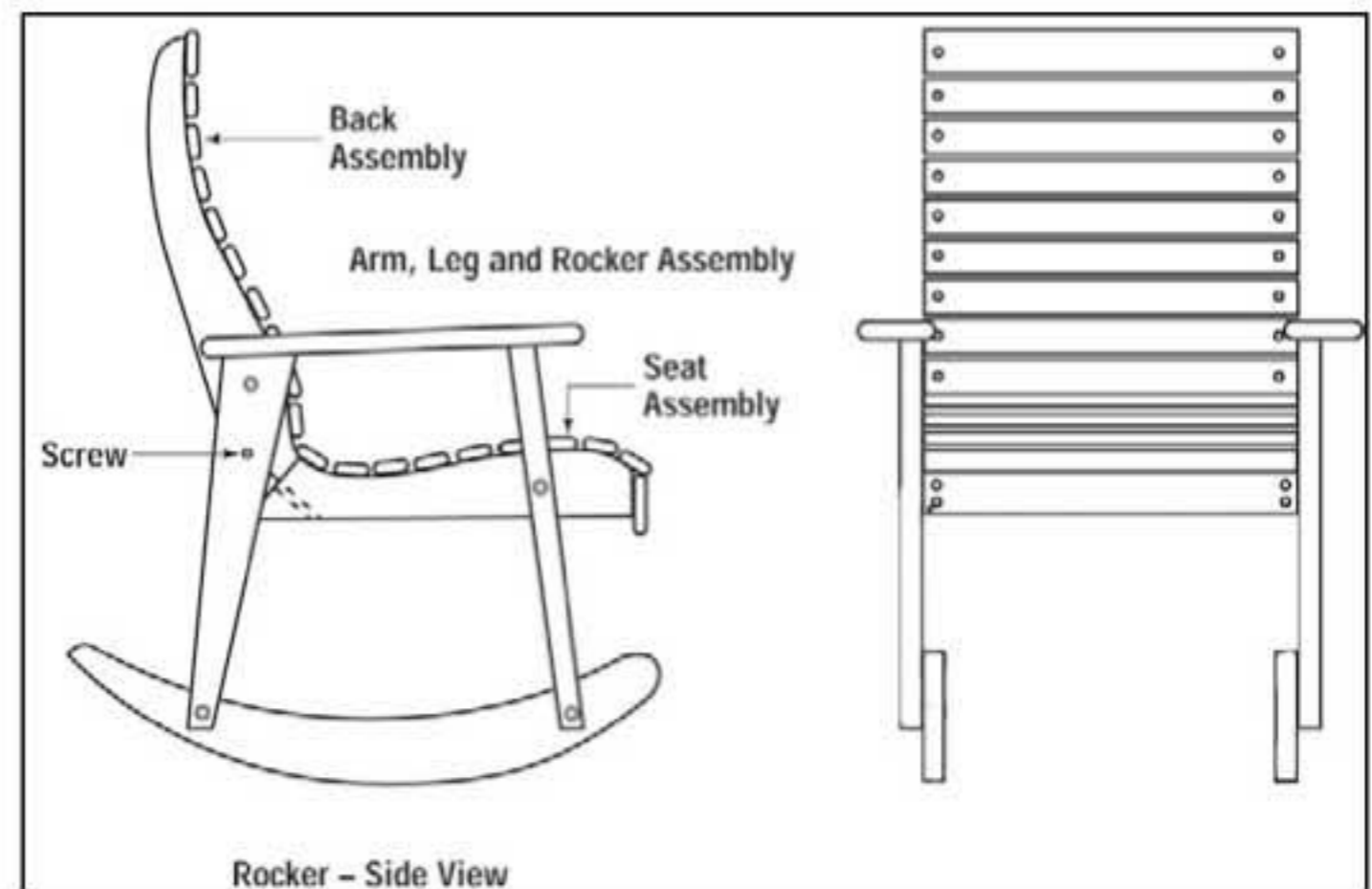
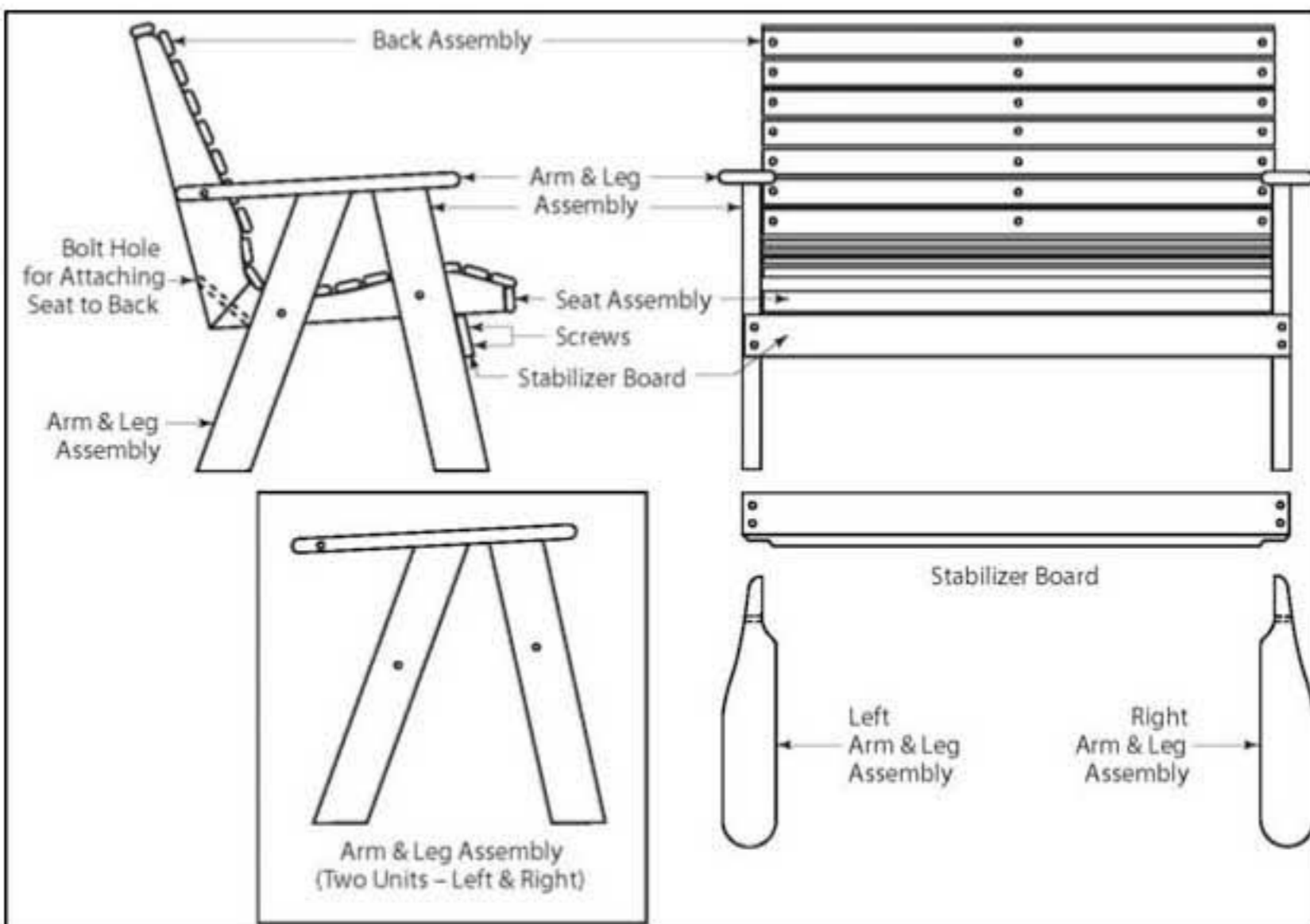
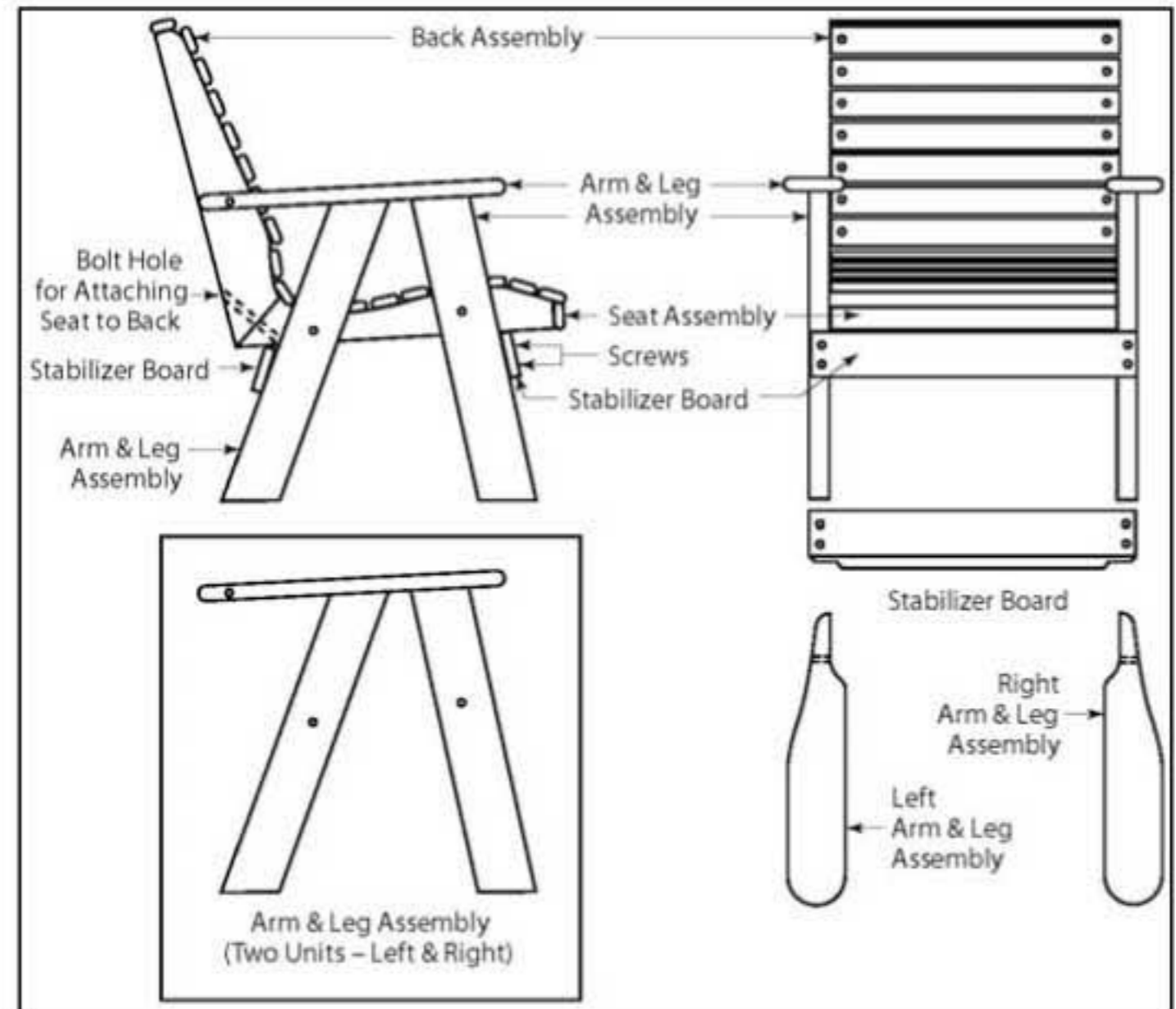
- 4 – 5/16 x 2½" Hex Bolts, Washers & Nuts
- 6 – ¼ x 3½" Carriage Bolts
- 9 – #8 x 2½" Screws
- 1 – Square Drive Bit
- Washers & Nuts

## Tools Needed

- 7/16 Wrench or Socket
- Hammer to tap Bolts

## Glider

- 2 – ½" Wrenches or Sockets
- Drill to turn Screws



## Glider Frame Assembly

