



Please check contents **before assembly**. If any items are missing or damaged, **do not take the unit back to the store**. Call 1-800-427-5136 for customer service and we will save you time by correcting any problems directly for you.

COMPONENTS		HARDWARE & TOOLS REQUIRED	
2 - Leg Spreaders	1 - Cross piece	10 - Screws	Rubber Mallet
4 - Legs	1 - Preassembled Pine Table Top	#2 Phillips Screwdriver	Block of Wood & Hammer
<p><b>NOTE:</b> Cracks or Checks in logs are part of the natural beauty of cedar logs and should not be considered defects.</p>		<p><b>NOTE:</b> Using a battery Or electric power drill will make assembly easier and faster.</p>	

**NOTE:** Read all instructions before starting.

**STEP 1** To assemble leg assemblies use a rubber mallet (or a block of wood between a hammer and the unit) to drive doweled ends into holes as shown in figure 1.

**STEP 2** Place the table top on a clean flat surface and put doweled ends of leg assemblies into holes in table top as shown in figure 2.

**STEP 3** Secure doweled joints in place with screws perpendicular to the doweled ends as shown in figure 2. Attach with screws in areas indicated by arrows, on both ends.

Your table is now assembled and ready for finish or immediate use.

**NOTE:** Check all joints for tightness before and during each usage season.

Use a good quality penetrating oil or wood deck sealer with a UV inhibitor and an anti-fungal.

If you have hardware left over after completing your unit, it most likely has been assembled incorrectly, and may not be safe to use. Please call Customer Service at 800-427-5136 for assistance.

**Lakeland Mills recommends:**  
WeatherSeal Premium Oil-Based Exterior Wood Stain & Sealant

www.ContinentalProd.com

Figure 1

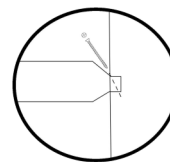
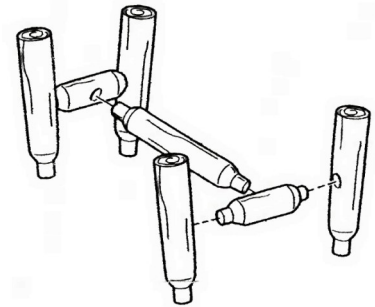
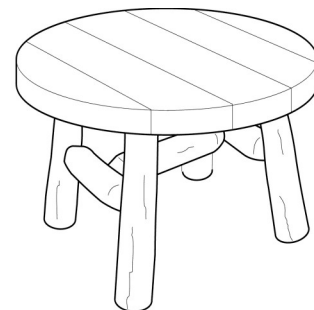
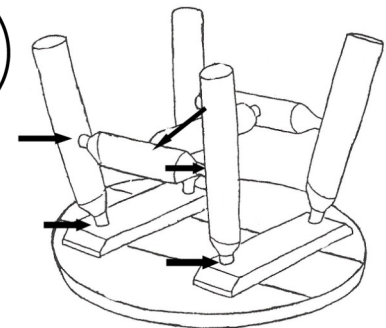


Figure 2



Look for videos on:



[https://www.youtube.com/watch?v=X\\_WhipiB2Hc&t=2s](https://www.youtube.com/watch?v=X_WhipiB2Hc&t=2s)