

Instructions for Red Cedar Backed Benches

Tools Required for Assembly

- 7/16" Socket or Adjustable Wrench
- #2 Squarehead Drill Bit (included)
- Hammer for tapping bolts & screws

Parts List

Bench Pieces

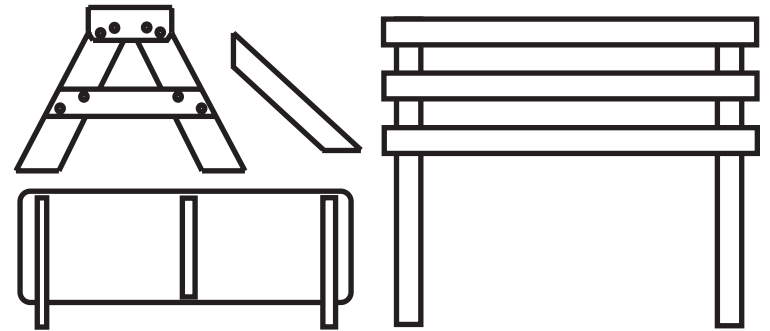
- 1 Bench Top
- 1 Back Assembly
- 2 Leg Assemblies
- 2 Cross Braces

Hardware

- 4 3" x 1/4" Hex Bolts
- 4 2 1/2 x 1/4" Hex Lag Screws
- 4 1/4" Hex Nuts
- 8 1 1/4" Large Washers
- 4 1/4" Small Washers
- 2 2 1/2" Square Head Screws

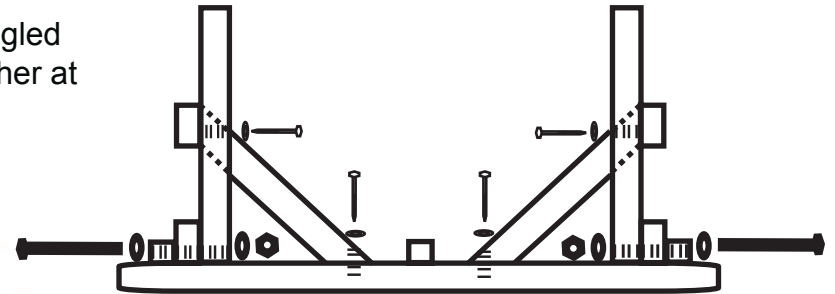
Step 1

Lay the bench top upside down on a clean flat surface. Place each leg assembly on the inner edge of the 2x2 top surface and fasten with a 3" hex bolt (placing a washer at the end of the bolt).



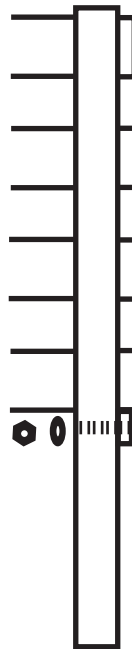
Step 2

Use the 2 1/2" lag screws to attach the angled braces, making sure to place a small washer at the top of each screw.



Step 3

Now turn the bench upright and position the back assembly so that the angled bottom edges fit on the leg assembly's bottom braces (see left).



Step 4

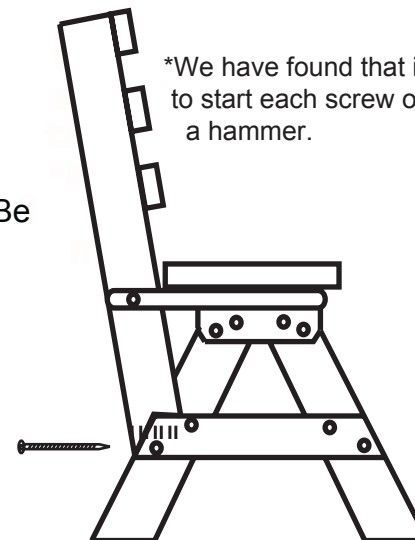
insert the hex bolts into the pre drilled holes on each side

of the bench supports and through the sides of the back assembly. Be

sure to use a large washer on each end of the bolt and tight en a nut at the end to secure.

To complete assembly, use the square head bit to drive the screws through the back assembly braces and into the leg assembly.

*We have found that it is sometimes easier to start each screw or bolt by taping it once with a hammer.



- Hex Bolt
- Heg Lag Screw
- Square Head Screw
- Large Washer
- Small Washer
- Nut
- Predrilled Hole