



**Montana**  
**Woodworks®**  
*"From The Mountains of Montana to Your Home"*  
**Assembly Instructions for Porch Swing**

Thank you for purchasing your heirloom quality furniture from Montana Woodworks®. Should you have any questions or need to contact sales or support, please do not hesitate to contact our corporate offices at 888.889.3728 or via E-Mail at: cs@montanawoodworks.com

Tools Needed: 9/16" Wrench, Socket or Impact Drill, Rubber Mallet

Before beginning assembly, please take a few moments to carefully read the instructions, familiarize yourself with the components and understand each step of the process. Likewise, please ensure that the hardware package contains the items as described below.

Parts List: (1) Back Assembly, (1) Seat Assembly, (1) Right and Left Arm Assemblies

Hardware List: (4) 3" Lag Bolts, (4) 4" Eye Bolts, (8) Washers, (2) Long Chains, (2) Short Chains, (8) "S" Hooks

#### **Swing Assembly Instructions:**

**Step 1.** Remove components from shipping boxes. You may lay the cardboard on the floor to prevent marring of finish.

**Step 2.** Lay one arm assembly ("A" in the image shown on these instructions) on the floor with holes facing upward.

**Step 3.** Insert the two tenons of the seat assembly "B" into the holes on the shortest part of the arm assembly.

**Step 4.** Insert the two tenons of the back assembly "C" into the holes on the longer, angled part of the arm assembly.

**Step 5.** Repeat steps 3 and 4 above for opposite arm.

**Step 6.** Insert lag bolts "D" with washers "E" and eye bolts "F" into holes on outside of arms and tighten fully. See diagram on reverse for detail.

#### **Hanging the Swing:**

**Step 1.** Separate the two different lengths of chain and the "S" shaped hooks.

**Step 2.** Count eight links from the end of one long chain "G" and insert an "S" hook into the 8th link. Attach the other end of this "S" hook into porch header hardware (not included).

**Step 3.** Count forty links from the opposite end of the long chain that is now hanging from the porch header and insert another "S" hook into the 40th link.

**Step 4.** Attach one end of the short chain "H" to the remaining end of the "S" hook from the last step.

**Step 5.** Insert an "S" hook into the remaining end of the short chain.

**Step 6.** Counting nine links from the bottom of the long chain hanging from the porch header, insert "S" hook into 9th link.

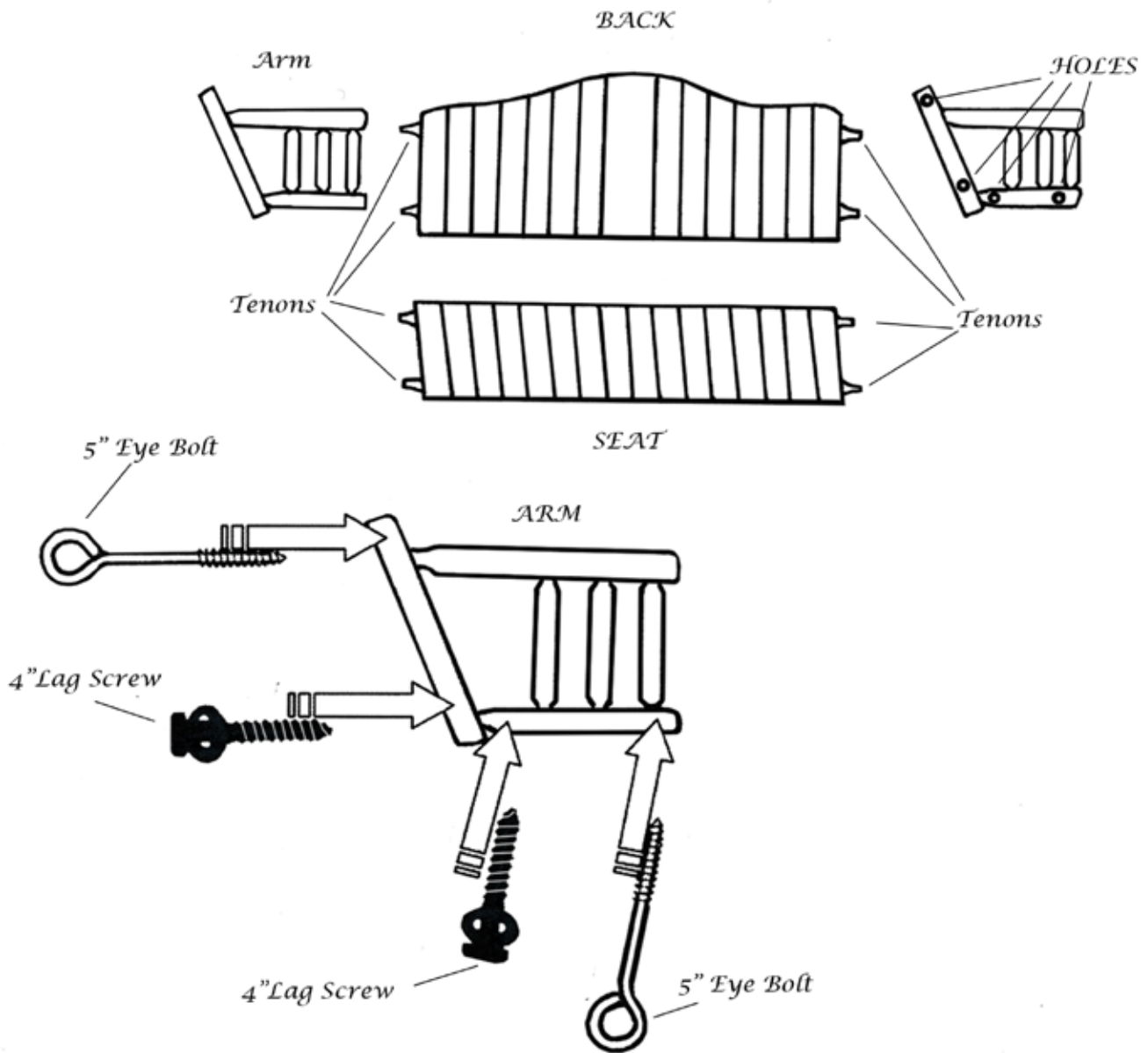
**Step 7.** Attach the opposite end of the "S" hook from last step into the eye bolt at the front/bottom of the swing assembly.

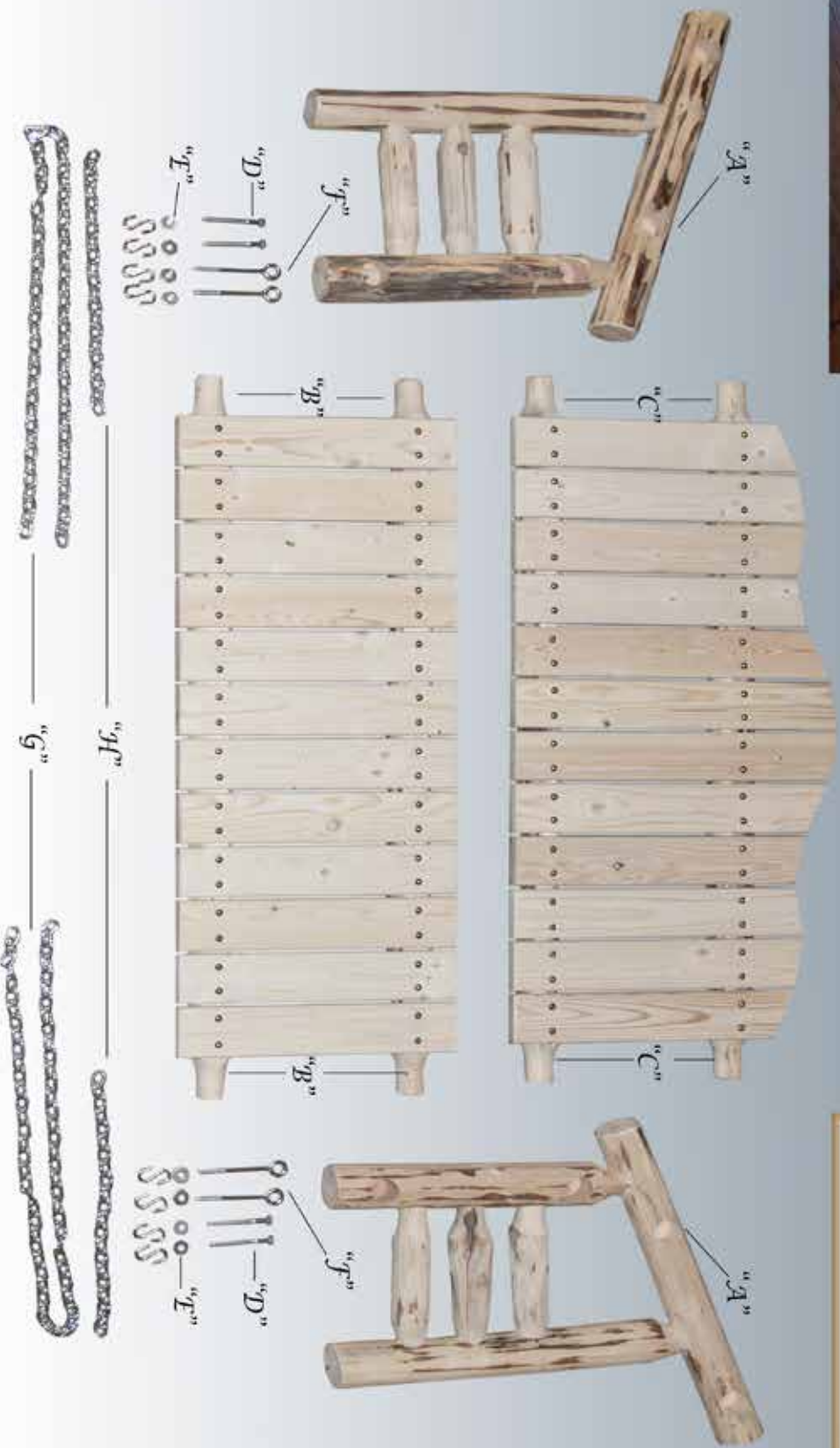
**Step 8.** Insert the remaining end of the middle "S" hook (Step 5 Above) into the eye bolt at the swing back/top of the swing assembly.

**Step 9.** Repeat steps 2 through 8 to hang the other side of the swing

*\*Adjust the height and balance of the swing by moving the "S" hooks one link at a time until satisfied*

PLEASE NOTE: If you purchased your item "ready to finish" special care must be taken to properly apply a high grade final finish in a timely manner. Doing so will help protect your purchase from discoloration and damage caused by exposure to ultra-violet light and/or weather. If the products intended use is outside, please use an exterior rated finish to also protect from weather damage. See use and care instructions for further information. Failure to adequately protect item by application and as needed, re-application of a final finish may void warranty.





Montana Collection Shown, Other Collections Similar