



**Montana
Woodworks®**
"From The Mountains of Montana to Your Home"

Assembly Instructions for Lawn Swing

Thank you for purchasing your heirloom quality furniture from Montana Woodworks®. Should you have any questions or need to contact sales or support, please do not hesitate to contact our corporate offices at 888.889.3728 or via E-Mail at: cs@montanawoodworks.com

Tools Needed: 1/2" & 9/16" Wrench, Socket or Impact Drill, Rubber Mallet, Tape Measure, Drill & 3/16" Drill Bit, Carpenter's Square

Before beginning assembly, please take a few moments to carefully read the instructions, familiarize yourself with the components and understand each step of the process. Likewise, please ensure that the hardware package contains the items as described below.

Parts List: (1) Back Assembly, (1) Seat Assembly, (1) Right and Left Arm Assemblies, (4) 84" Swing Legs, (2) 40" Cross Braces, (4) 26" Half Log Braces

Hardware List: (16) 4" Lag Bolts, (4) 4" Eye Bolts, (2) 6" Hex Head Bolts, (2) Hex Head Nuts, (24) Washers, (2) Long Chains, (2) Short Chains, (8) "S" Hooks

Swing Assembly Instructions:

Step 1. Remove components from shipping boxes. You may lay the cardboard on the floor to prevent marring of finish.

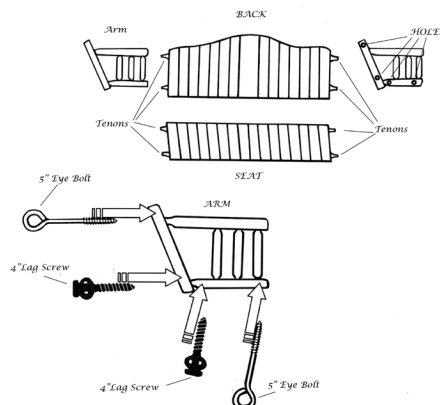
Step 2. Lay one arm assembly ("A" in the image shown on these instructions) on the floor with holes facing upward.

Step 3. Insert the two tenons of the seat assembly "B" into the holes on the shortest part of the arm assembly.

Step 4. Insert the two tenons of the back assembly "C" into the holes on the longer, angled part of the arm assembly.

Step 5. Repeat steps 3 and 4 above for opposite arm.

Step 6. Insert lag bolts "D" with washers "E" and eye bolts "F" into holes on outside of arms and tighten fully. See diagram on reverse for detail.



VIEW THE ASSEMBLY VIDEO ONLINE AT WWW.MONTANAWOODWORKS.COM

Assembly of the Swing Legs:

Step 1. Lay out the four frame legs (shown as “I” in the included image) and the side braces “J” into two assemblies similar to the letter A.

Step 2. Insert the two tenons of side braces “J” that you positioned in step 1 above, into the holes of the frame legs “I”.

Step 3. Secure each side brace “J” with a 4” lag bolt and washer combination “N” by inserting 4” lag & washer into pre-drilled hole in frame legs. Tighten halfway with a 1/2” wrench.

Step 4. Insert the end of the header “K” into the notched openings at the top of the swing legs “I”. Ensure the eye bolts are turned downward toward the bottom of the legs. (The large end of the A shaped triangle)

Step 5. Secure the header “K” and swing legs “I” with the 6” hex bolts, washers and nuts supplied. Tighten halfway with a 1/2” wrench.

Step 6. Repeat steps 3 through 5 for other leg assembly.

Step 7. With the help of an assistant, stand the completed swing leg assembly upright and carefully spread the legs of the assembly so that it balances properly and all four legs rest on the floor.

Step 8. Completely tighten the 4” lags in the side braces “J”.

Step 9. Using a carpenter’s square, ensure the legs are perpendicular to the header. Completely tighten the 6” bolts.

Attaching the Half Log Braces:

Step 1. Using a tape measure or yardstick, measure 14 1/2 inches in from the end of the header “K” and mark the location. This is where the top end of the half log brace will be mounted.

Step 2. Drill a 3/16” hole approximately two inches deep and horizontal to the ground at the location you marked in step 1, above.

Step 3. Attach the half log brace “L” to the header, inserting a 4” lag bolt with washer through the brace into the hole you drilled in step 2, above.

Step 4. Move the lower half of the half log brace left and right until the factory drilled hole is centered over the leg of the swing. Mark that location and drill a 3/16” hole approximately two inches deep. Secure this end of the half log brace as you did the other end in step 3, above.

Step 5. Repeat steps 1 - 4 to attach the remaining three half log braces.

Hanging the Swing:

Step 1. Separate the two different lengths of chain and the “S” shaped hooks.

Step 2. Count eight links from the end of one long chain “G” and insert an “S” hook into the 8th link. Attach the other end of this “S” hook into the header hardware pre-mounted at the factory.

Step 3. Count forty links from the opposite end of the long chain that is now hanging from the header and insert another “S” hook into the 40th link.

Step 4. Attach one end of the short chain “H” to the remaining end of the “S” hook from the last step.

Step 5. Insert an “S” hook into the remaining end of the short chain.

Step 6. Counting nine links from the bottom of the long chain hanging from the header, insert “S” hook into the 9th link.

Step 7. Attach the opposite end of the “S” hook from last step into the eye bolt at the front/bottom of the swing assembly.

Step 8. Insert the remaining end of the middle “S” hook (Step 5 Above) into the eye bolt at the swing back/top of the swing assembly.

Step 9. Repeat steps 2 through 8 to hand the other side of the swing

**Adjust the height and balance of the swing by moving the “S” hooks one link at a time until satisfied*

PLEASE NOTE: If you purchased your item “ready to finish” special care must be taken to properly apply a high grade final finish in a timely manner. Doing so will help protect your purchase from discoloration and damage caused by exposure to ultra-violet light and/or weather. if the products intended use is outside, please use an exterior rated finish to also protect from weather damage. See use and care instructions for further information. Failure to adequately protect item by application and as needed, re-application of a final finish may void warranty.



Glacier Country Collection Shown, Other Collections Similar