

Adirondack Collection

Classic Westport Rocking Chair

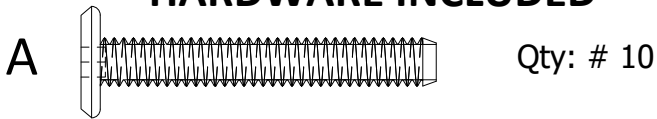
Assembly Guide



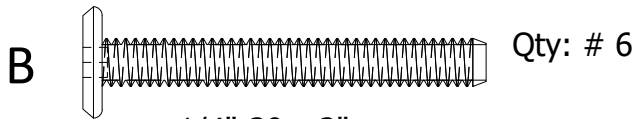
IMPORTANT!

DO NOT fully tighten the bolts until all bolts are started.
Once all bolts are inserted, go back & tighten all the bolts.

HARDWARE INCLUDED



1/4"-20 x 1.75"



1/4"-20 x 2"

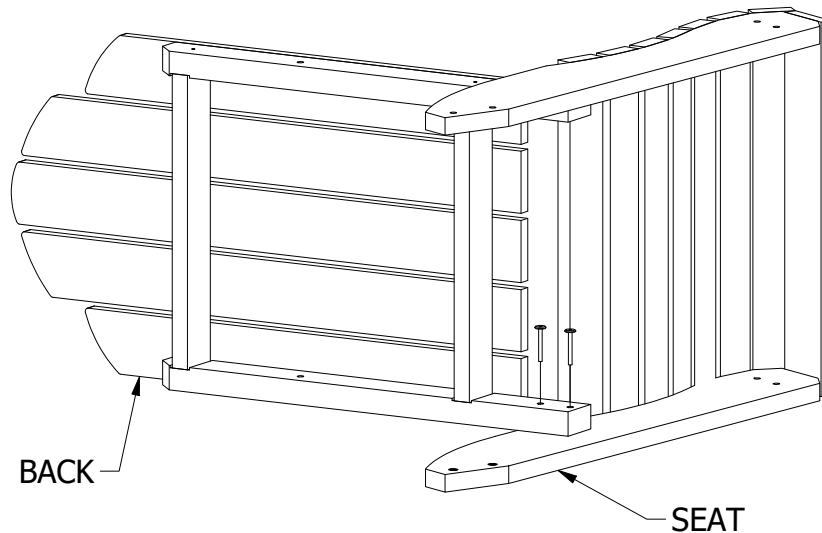
TOOLS INCLUDED



5/32" HEX KEY

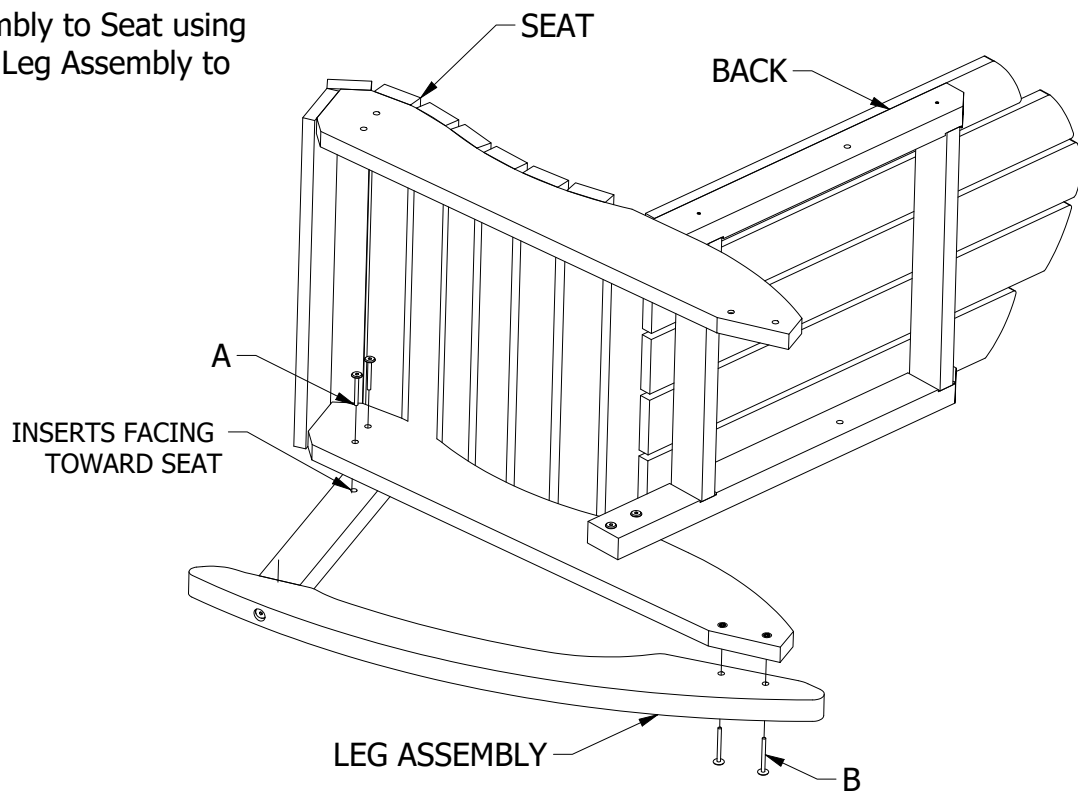
1) With the Back and Seat on their sides, attach one side of the Back to the Seat using two A bolts.

2) Repeat on other side.



3) Attach front of Leg Assembly to Seat using two A bolts. Attach back of Leg Assembly to Seat using two B bolts.

4) Repeat on other side.



5) Attach Arm Assembly to Leg using one B bolt. Attach Arm Assembly to Back using one A bolt.

6) Repeat on other side.

