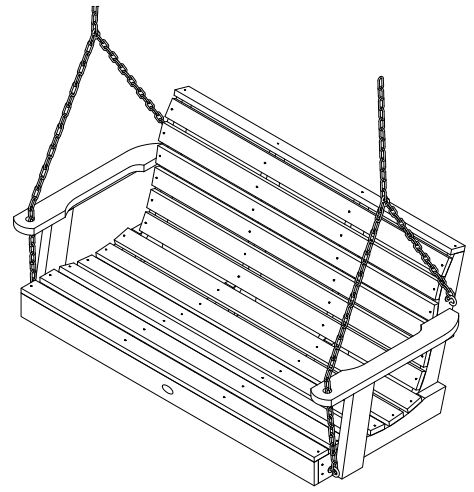


Weatherly Collection

Weatherly Porch Swing

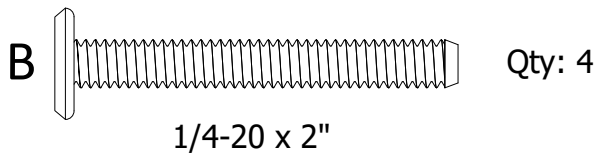
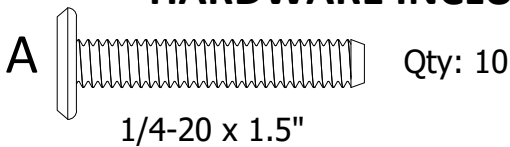
Assembly Guide



IMPORTANT!

DO NOT fully tighten the bolts until all bolts are started.
Once all bolts are inserted, go back & tighten all the bolts.

HARDWARE INCLUDED



** Chain Attachment Kit

- 5/16-18 x 2" Eyebolt - Qty: 4
- 5/16-18 Nylon Lock Nut - Qty: 4
- 5/16 Flat Washer - Qty: 4
- HDK-CHAINLONG - Qty: 2
- HDK-CHAINSHORT - Qty: 2
- Chain Link Connector - Qty: 2

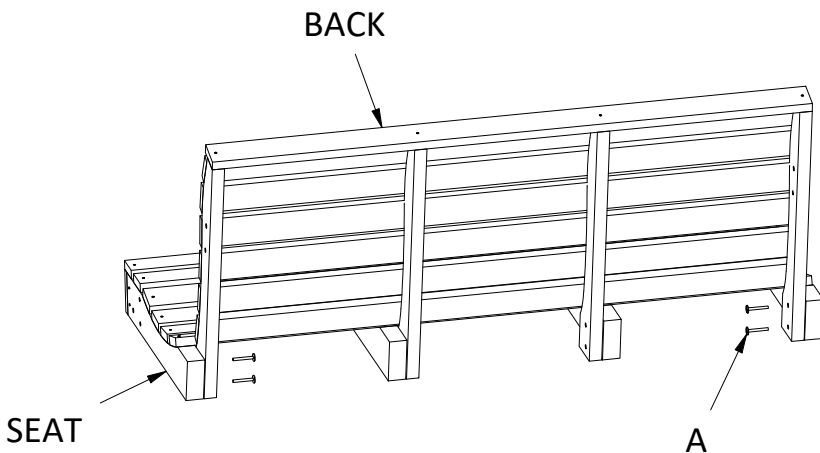
TOOLS INCLUDED



5/32" HEX KEY

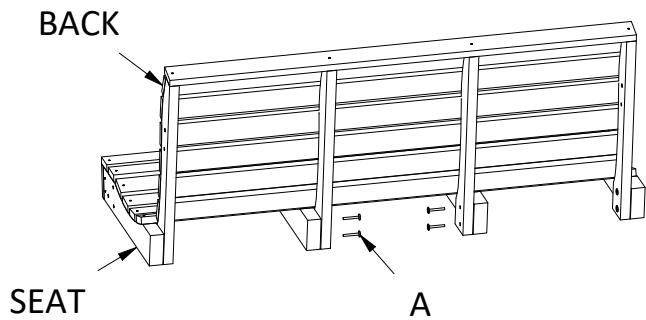
CUSTOMER SUPPLIED TOOLS

1/2" or 13mm Wrench/Socket



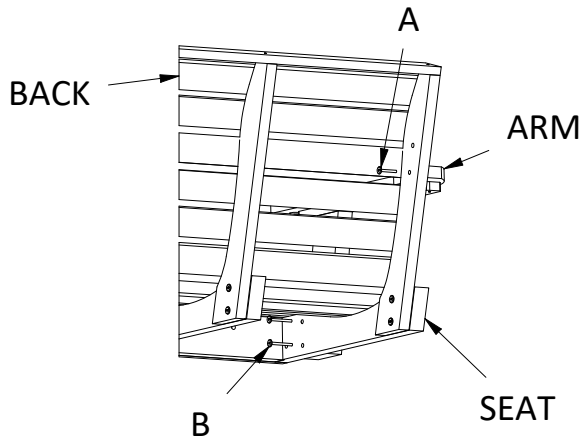
STEP 1 BACK OUTER

Attach Back to Seat using
(2) A Bolts on each side.



STEP 2 BACK INNER

Attach Back to Seat using (2) A bolts on each side.

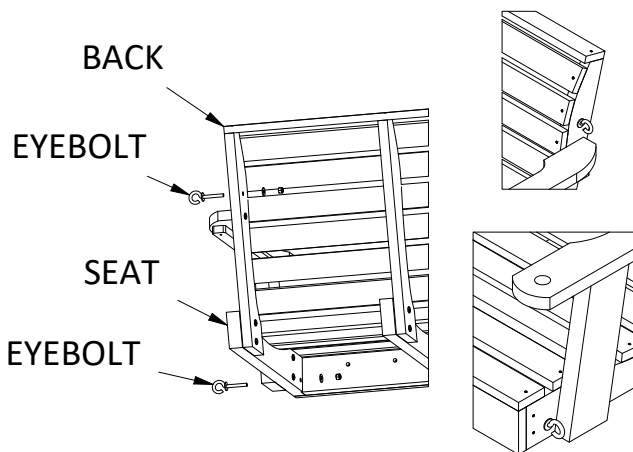


STEPS 3-4-5 ARMS

Attach Arm to Back using (1) A Bolt.

Attach Arm to Seat using (2) B Bolts.

Repeat on other Side.

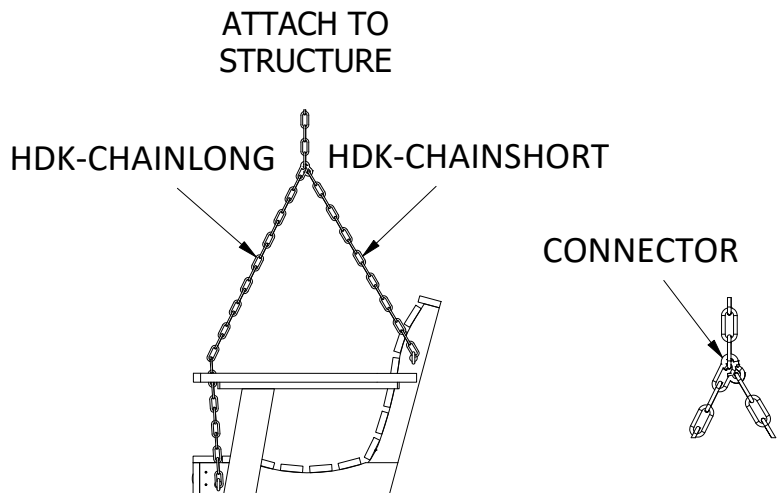


STEP 6-7-8 CHAIN BOLT

Attach Eyebolt to Back.
Insert bolt through Back, attach washer and nut on inside of back. Align Eyebolt as shown and tighten.

Attach Eyebolt to Seat.
Insert bolt through Seat, attach washer and nut on inside of Seat. Align Eyebolt as shown and tighten.

Repeat on other side.



STEP 9-10-11-12 CHAIN ATTACHMENT

Attach HDK-CHAINSHORT to back Eyebolt, attach Chain Link Connector to other end of chain.

Attach HDK-CHAINLONG to seat Eyebolt, guide chain through hole in Arm and attach to other end of Chain Link Connector so that arm is level as shown.

Repeat on other side.

Attach ends of HDK-CHAINLONG to structure.