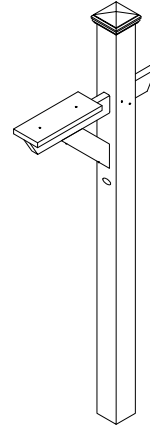


Hazleton Mailbox Post

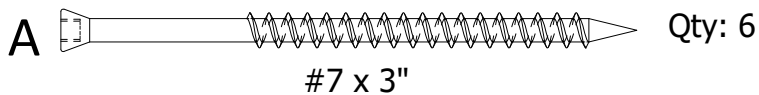
Assembly Guide



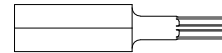
IMPORTANT!

DO NOT fully tighten the bolts until all bolts are started. Once all bolts are inserted, go back & tighten all the bolts.

HARDWARE INCLUDED



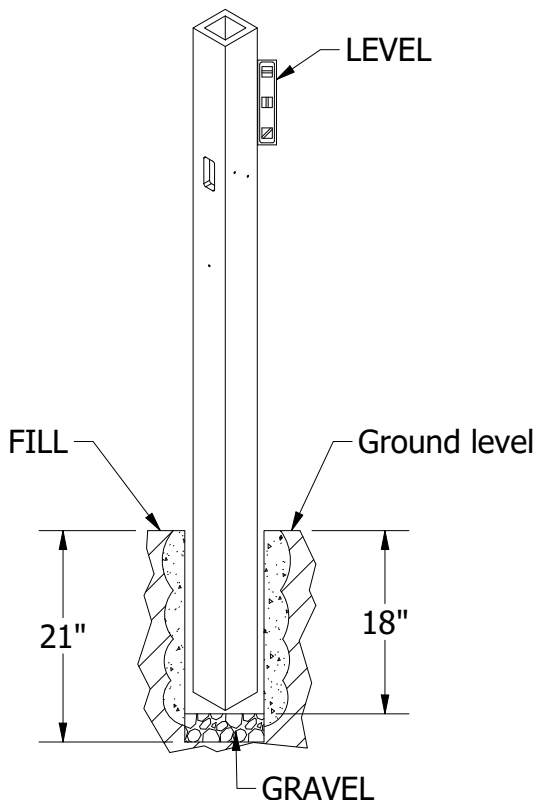
TOOLS INCLUDED



T-15 TORX BIT

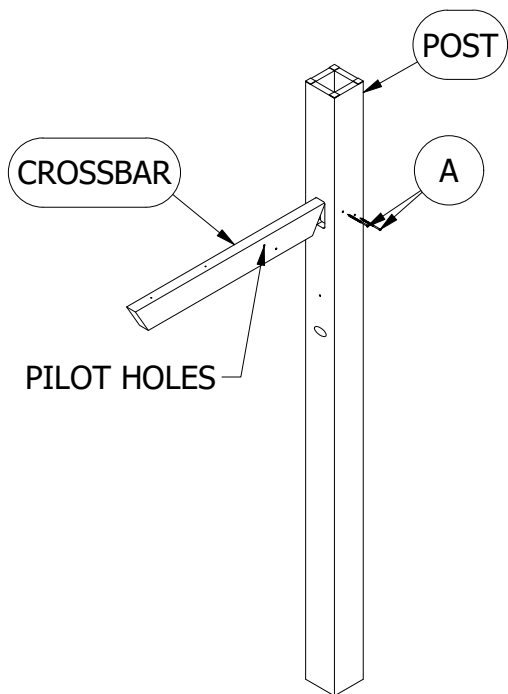
CUSTOMER SUPPLIED TOOLS

Cordless screwdriver/drill OR
Multi-bit handle for the Torx Bit

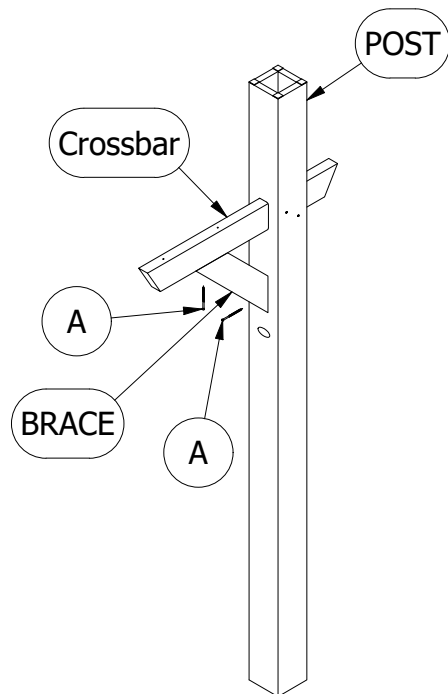


IMPORTANT! Check for Underground Services With Your Local Authorities **BEFORE** Installation of This Product.

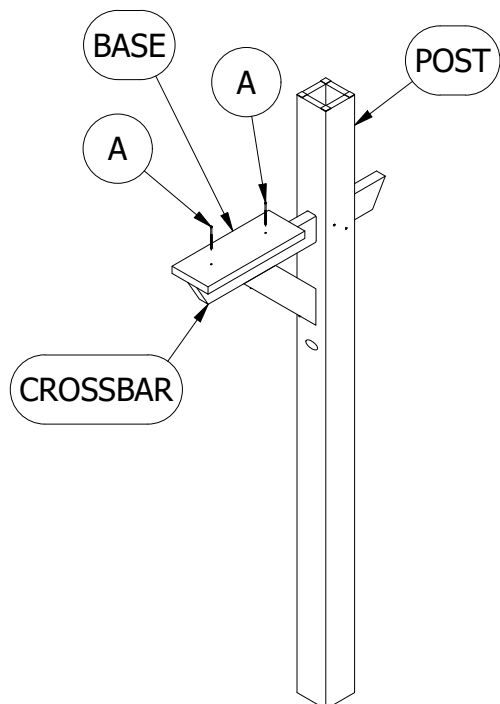
- 1)** Dig a Hole Approximately 21" Deep. Fill The Hole With Approximately 3" of Gravel At the Bottom For Water Drainage.
- 2)** Insert the Base of the Post Into the Hole and Fill the Hole With Concrete or Packed Stone Dust. Using a Hand level, Ensure the Post is Plumb on All Sides



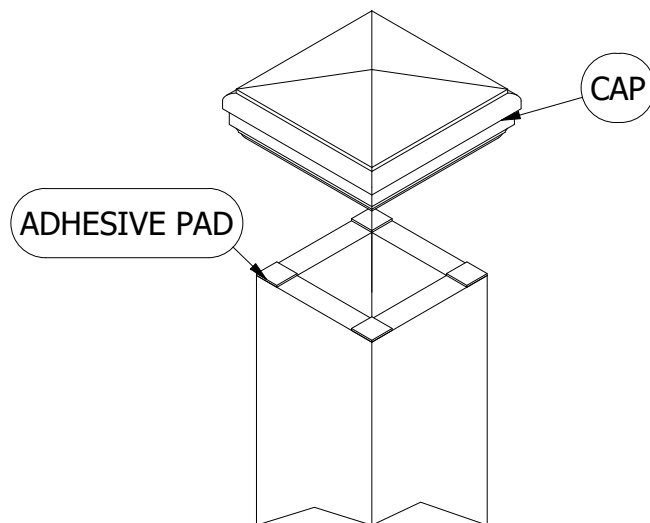
3) Insert (2) "A" Screws Into Clearance Hole in Post and Align with Pilot Holes in Crossbar. Fasten Using T-15 Torx Bit.



4) Insert (2) "A" Screws Into Clearance Holes in Brace and Align with Pilot Holes in Crossbar and Post. Fasten Using T-15 Torx Bit.



5) Insert (2) "A" Screws Into Clearance Holes in Base and Align with Pilot Holes in Crossbar. Fasten Using T-15 Torx Bit.



6) Remove Cover on (4) Adhesive Pads and Slide Cap Over Top of Post. Press Down Firmly On Cap to Attach.

Attach Any Mailbox Purchased Separately Per Instructions Included with Mailbox.