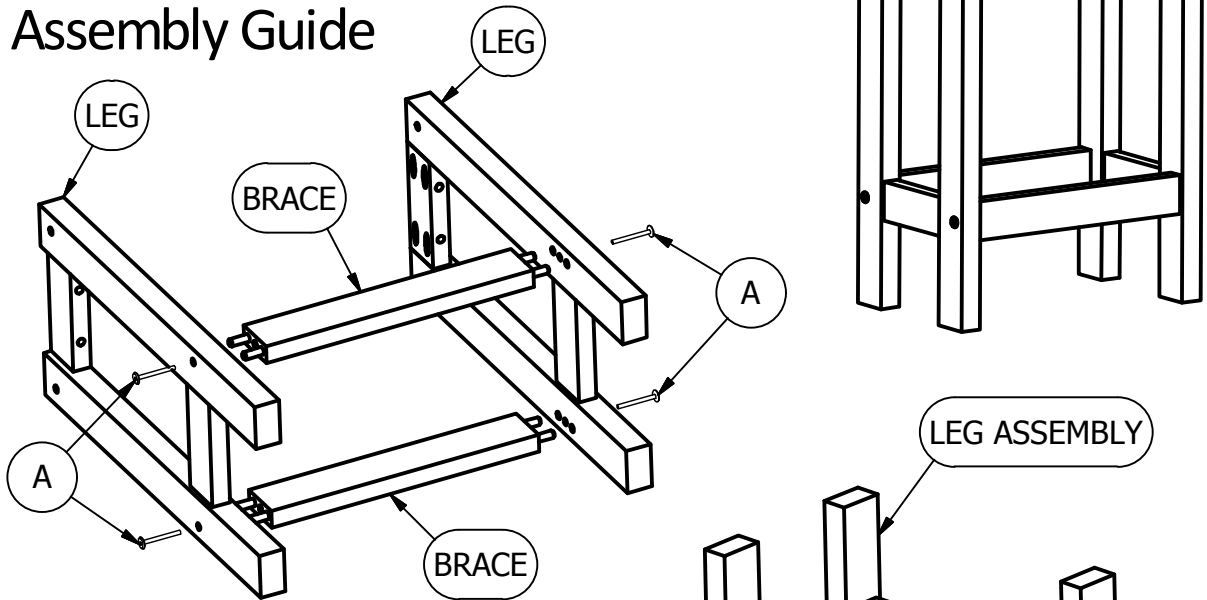
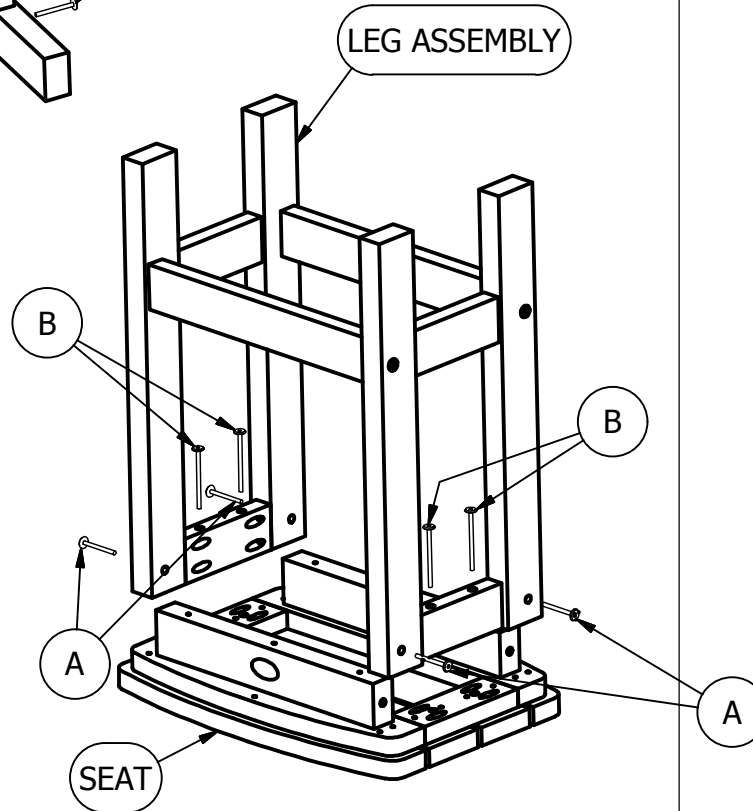


Lehigh Collection Counter/Bar Stool

Assembly Guide

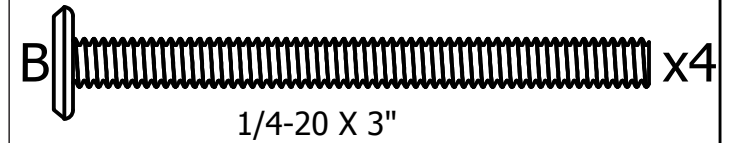
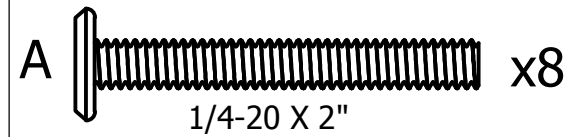


1) Install Braces Between Legs Using (4) "A" Bolts as Shown.



2) Attach Leg Assembly to Seat Using (4) "A" Bolts and (4) "B" Bolts as Shown.

HARDWARE

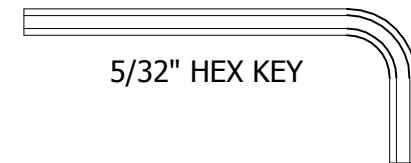


IMPORTANT!

DO NOT fully tighten the bolts until all bolts are started. Once all bolts are inserted, go back & tighten all the bolts.

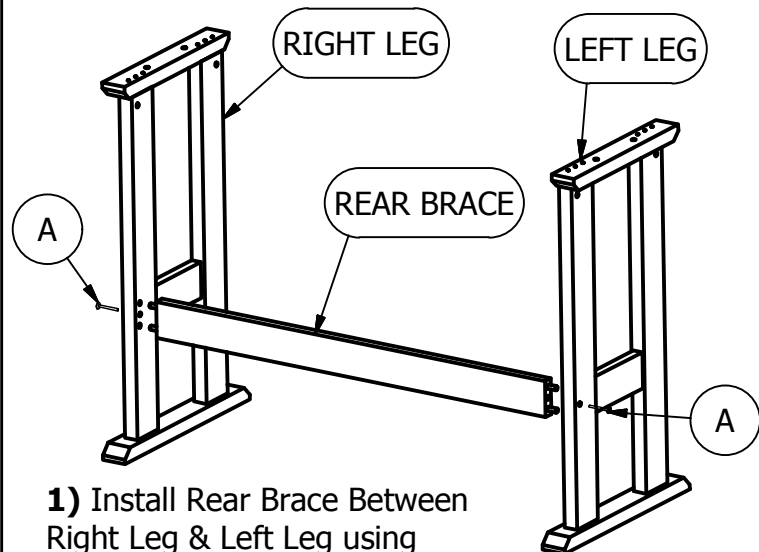
Retain these instructions for future reference

INCLUDED TOOLS

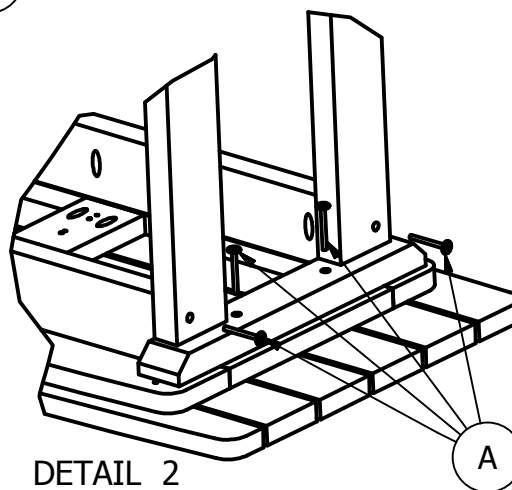
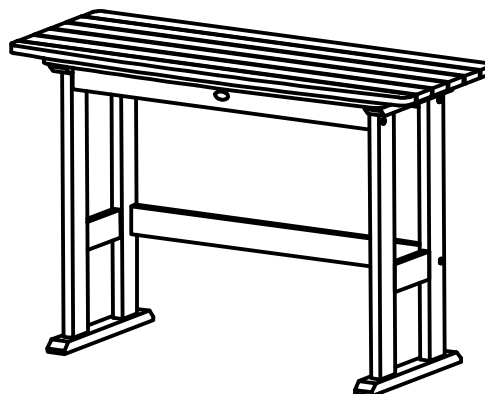


Balcony Counter Table

Assembly Guide

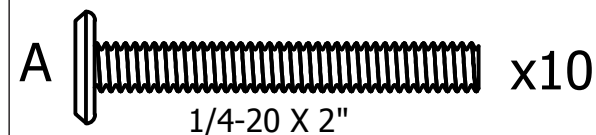


- 1) Install Rear Brace Between Right Leg & Left Leg using (2) "A" Bolts as Shown.



- 2) Turn Leg Assembly Over and Set on Table Top as Shown. Attach Leg Assembly to One Side of Table Top Using (4) "A" Bolts. Repeat on Other Side.

HARDWARE

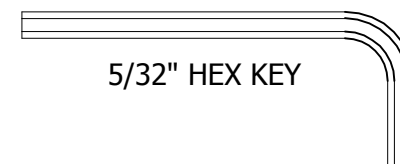


IMPORTANT!

DO NOT fully tighten the bolts until all bolts are started. Once all bolts are inserted, go back & tighten all the bolts.

Retain these instructions for future reference

INCLUDED TOOLS



5/32" HEX KEY