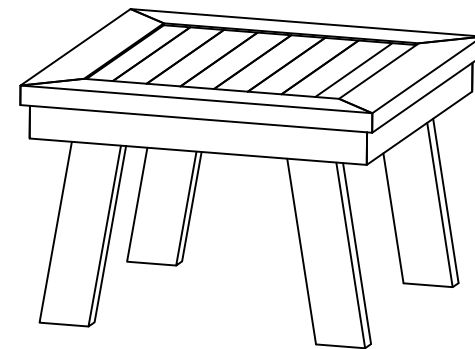
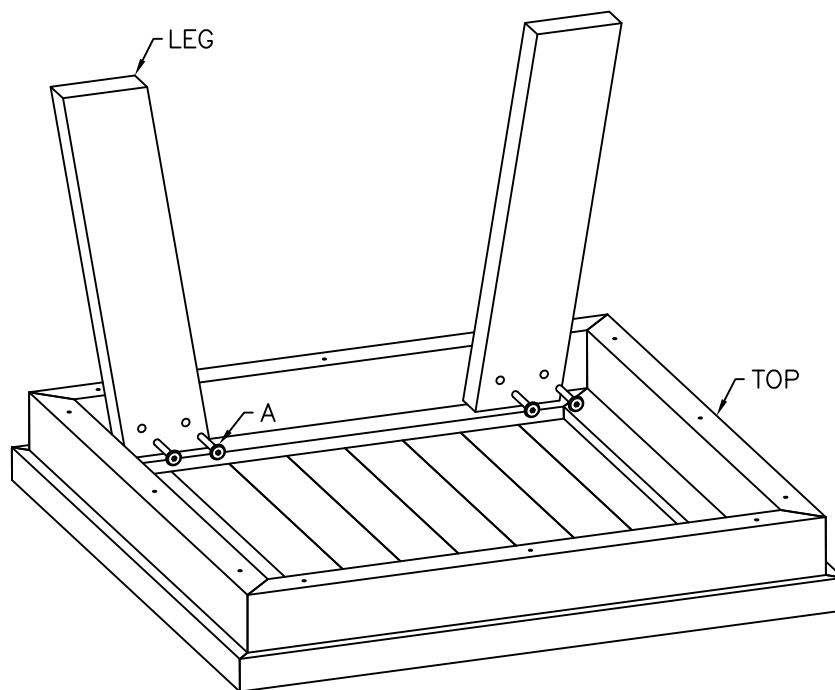
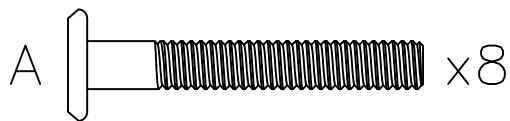


Do not fully tighten the bolts until all bolts are started. Once all bolts are inserted, then go back and tighten all the bolts.

POCONO COLLECTION SIDE TABLE ASSEMBLY INSTRUCTIONS



HARDWARE



- 1) Attach the Legs to the Top using two A bolts in each leg
- 2) Repeat on other side

DSST1
12.12.13

highwood[®]
NATURE'S CLOSEST RIVAL

For information on Care and Cleaning your **highwood**[®] product visit www.highwood-usa.com/care.html
Visit our Website and Facebook page to see more **highwood**[®] products!
www.highwood-usa.com www.facebook.com/highwoodUSA

PAGE 1 OF 1