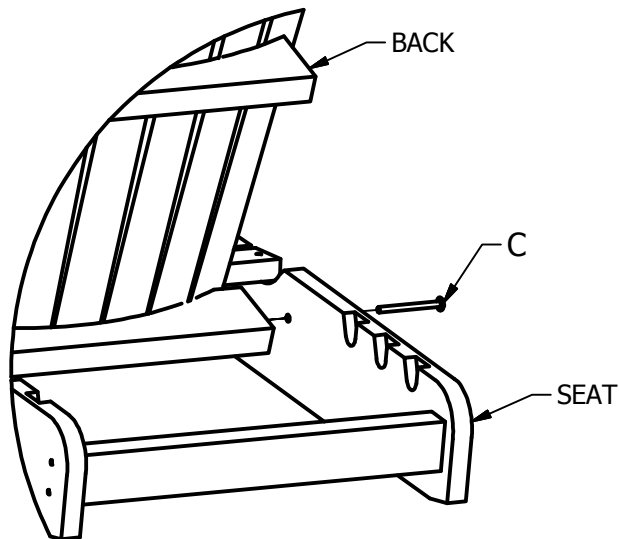


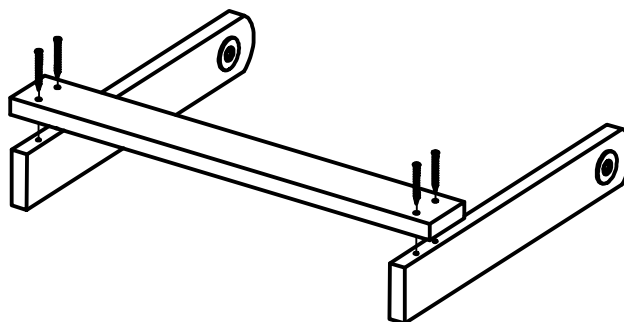
Adirondack Collection

Hamilton Folding & Reclining Adirondack Chair

Assembly Guide




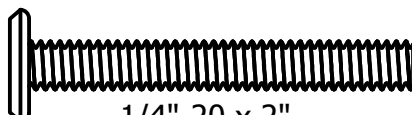
- 1) Attach Seat to Back using bolt C.
- 2) Repeat on other side.




- 3) Attach Back Support Brace (shorter piece) to Back Support Sides with four A screws.

HARDWARE

A  x8
#7 x 1-5/8"

B  x2
1/4"-20 x 2"

C  x4
1/4"-20 x 3"

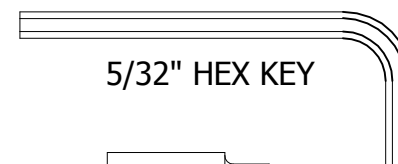
NOTE: There is extra hardware in package

IMPORTANT!

DO NOT fully tighten the bolts until all bolts are started. Once all bolts are inserted, go back & tighten all the bolts.

Retain these instructions for future reference

INCLUDED TOOLS



5/32" HEX KEY



T-15 TORX BIT

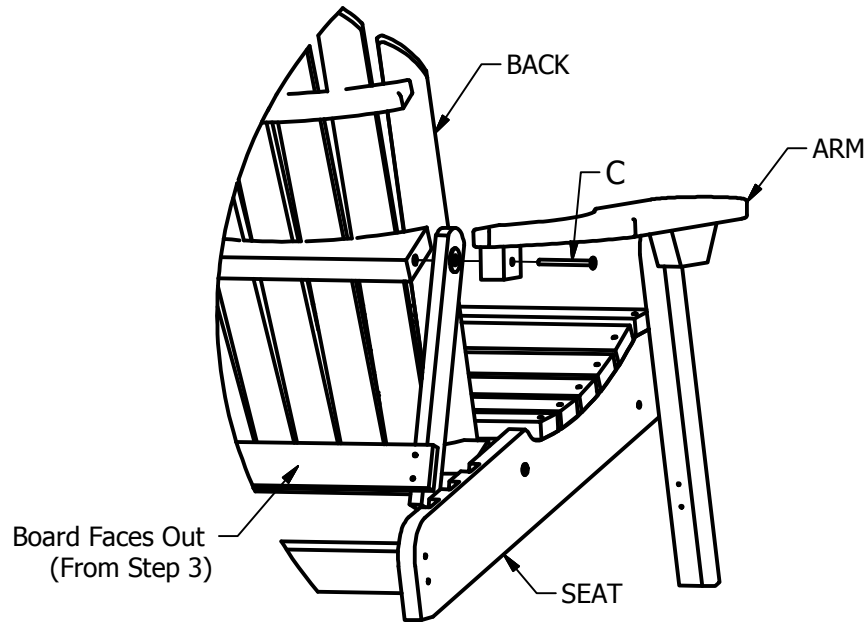
CUSTOMER-SUPPLIED TOOLS

Cordless screwdriver/drill OR
Multi-bit handle for the Torx bit.

Adirondack Collection

Hamilton Folding & Reclining Adirondack Chair

Assembly Guide

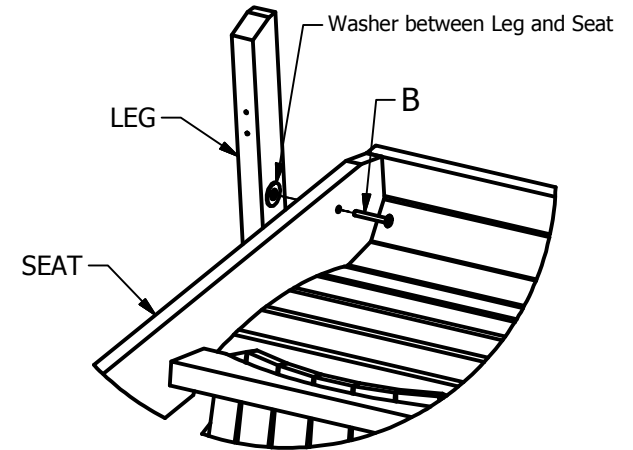


- 4) Insert bolt C from the Arm, through the Back Support Side, and into the Back.
- 5) Repeat on other side.

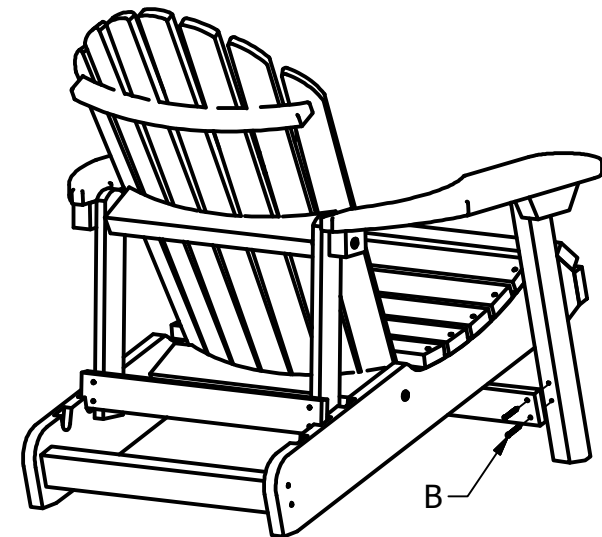
IMPORTANT NOTE!

NEVER adjust the level of recline while you are sitting in the chair, or while anyone else is in the chair. Always adjust with an empty chair and ensure that the back-support is completely secure in the recline slots on each side of the chair.

To fold the chair, lift the back-support and gently push down on the back of the chair. The chair will collapse down to floor level.



- 6) Turn chair over. Towards front of Seat, attach Seat to Leg using bolt B.
- 7) Repeat on other side.



- 8) Attach Front Leg Support with four A screws. Enjoy your Highwood Chair!