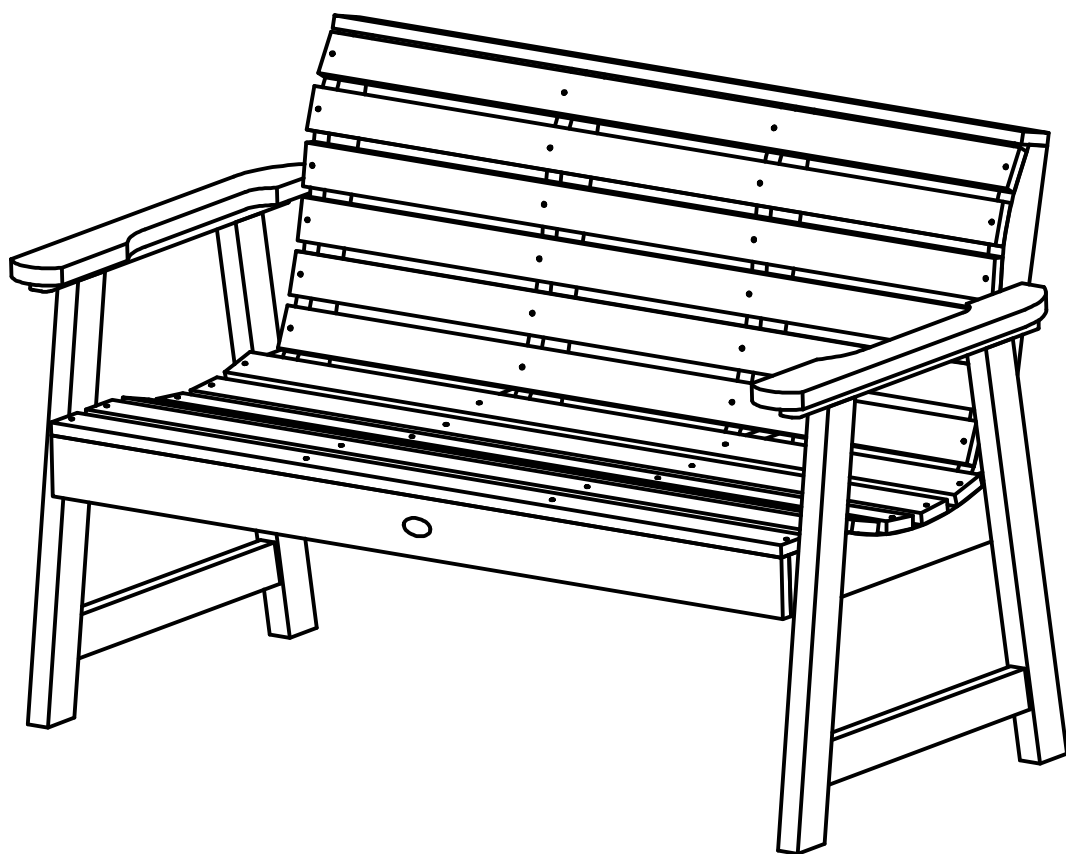



Weatherly Garden Bench

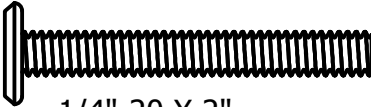
Assembly Guide




1) Attach Back To Seat Using Six "A" Bolts as Shown.

HARDWARE

A  x 8
1/4"-20 X 1.5"

B  x 4
1/4"-20 X 2"

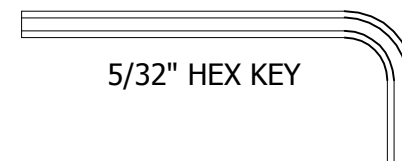
C  x 2
1/4"-20 X 3"

IMPORTANT!

DO NOT fully tighten the bolts until all bolts are started. Once all bolts are inserted, go back & tighten all the bolts.

Retain these instructions for future reference

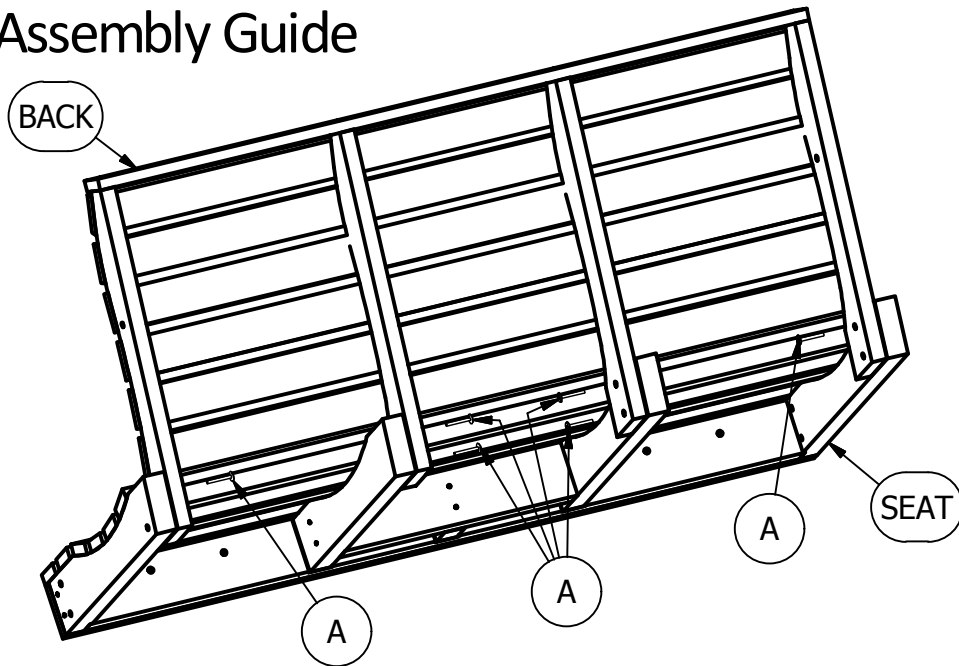
INCLUDED TOOLS



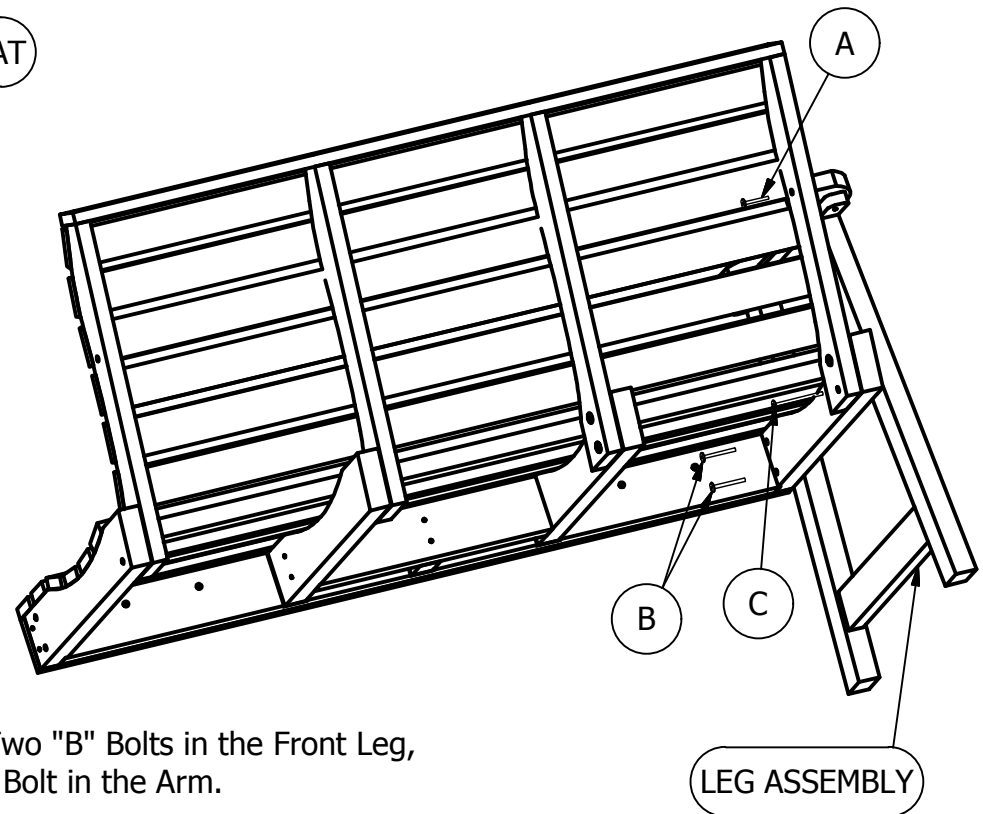
5/32" HEX KEY

Weatherly Garden Bench

Assembly Guide



- 1) Attach Back to Seat Using Six "A" Bolts.**
-Use One "A" Bolt in Top Hole on Each End Support.
-Use Two "A" Bolts in Each Center Support.



- 2) Attach Leg Assembly to Seat Using Two "B" Bolts in the Front Leg, One "C" Bolt in the Rear Leg, and 1 "A" Bolt in the Arm.**
3) Repeat on Other Side.