

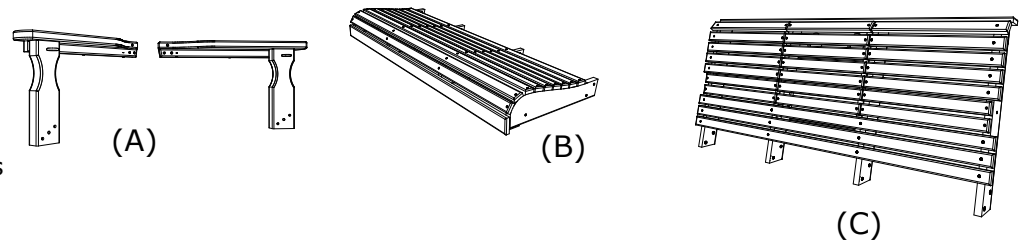


**Tools Required**

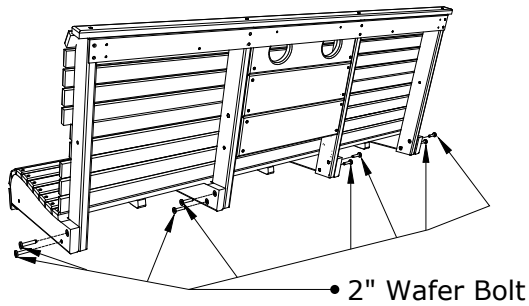
- 5/32 Hex Key (Included)
- #2 Square Drive Bit (Not Included)
- 1/2" Wrench (Not Included)

- Hardware**
- 2 - 5/16" x 3 1/2" Stainless Wafer Bolts
  - 2 - 5/16" x 3" Stainless Wafer Bolts
  - 8 - 5/16" x 2" Stainless Wafer Bolts
  - 8 - 5/16" Nuts
  - 12 - Washers
  - 4 - 2" Screws
  - 4 - 1 1/2" Screws
  - 1 - Set Swing Chains
  - 1 - 5/32" Hex Key

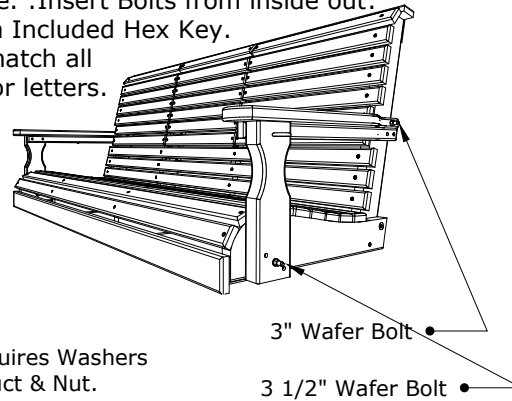
- Parts List**
- 2 - (A) Armrest Assemblies
  - 1 - (B) Seat Assembly
  - 1 - (C) Back Assembly



**1. Attach (C) Back Assembly to (B) Seat Assembly using 8 - 2" Wafer Bolts, Be sure to match all numbers & or letters, Tighten with included Hex Key.**

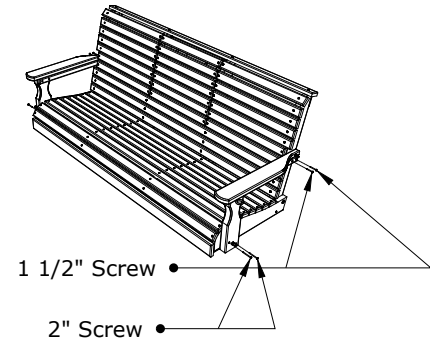


**2. Attach Armrest Assemblies to each side using 1 - 3 1/2" Wafer Bolt 1 - 3" Wafer Bolt 4 - Washers & 2 Nuts per side. :Insert Bolts from inside out: Tighten With Included Hex Key. Be sure to match all numbers & or letters.**

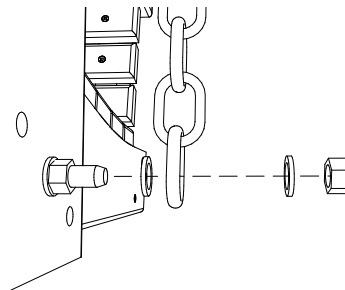
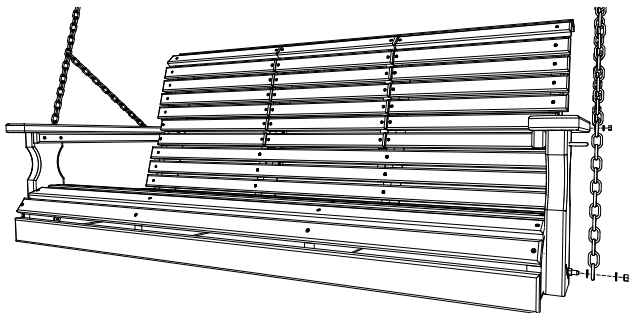


Wafer Bolt requires Washers between product & Nut.

**3. Install 2 - 2" Screws & 2 - 1 1/2" Screws per side.**



**4. Attach short end of Chain to back of Armrest assemblies & other end through screw eye to bottom of front upright using 4 Washers & 2 nuts per side.**



5' Plain Poly Swing Assembly Instructions

10/16/ 2017

R.M.