



**Tools Required**

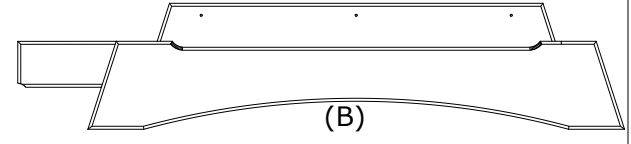
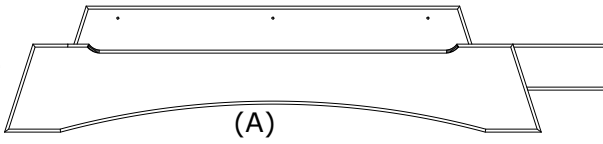
#2 Square Drive Bit  
(Not Included)

**Parts list**

- 1 - (A) Balcony Base Right Side
- 1 - (B) Balcony Base Left Side
- 1 - (C) Back Cross Pc.
- 1 - (D) Footrest

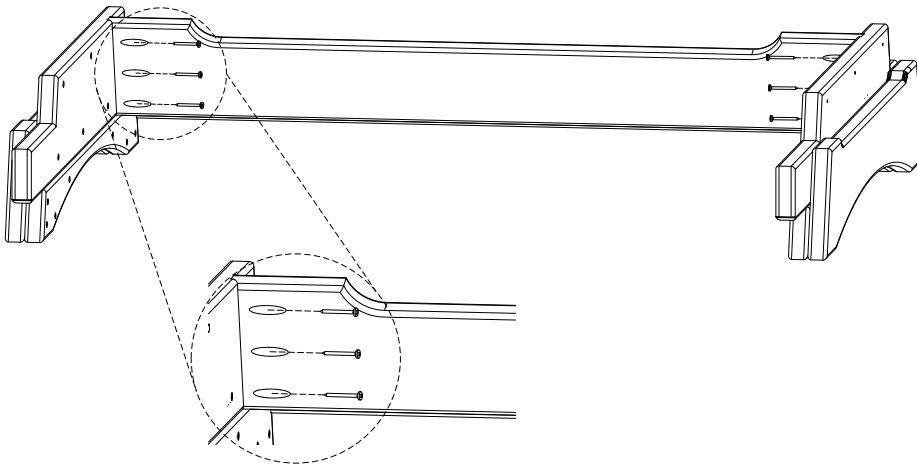
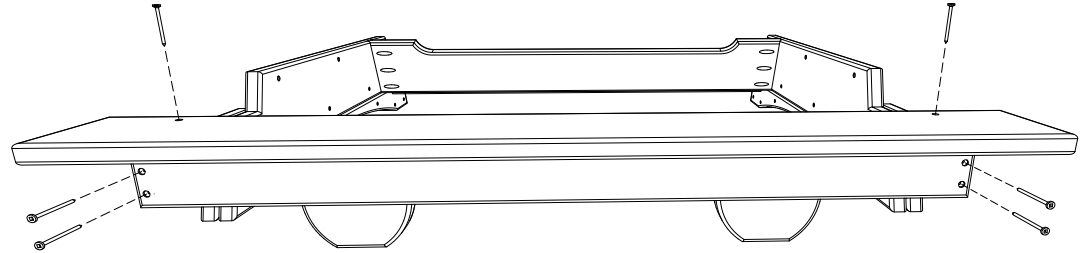
**Hardware**

- 6 - 2" Screws
- 12 - 1 1/2" Screws



1. Attach (C) Back Cross Pc. to (A) and (B) Balcony Base using 6 - 1 1/2" Screws in predrilled Pocket Holes. Be sure to match all numbers and or letters.

2. Attach (D) Footrest to (A) and (B) Balcony Base using 6 - 2" Screws in predrilled Holes. Be sure to match all numbers and or letters.



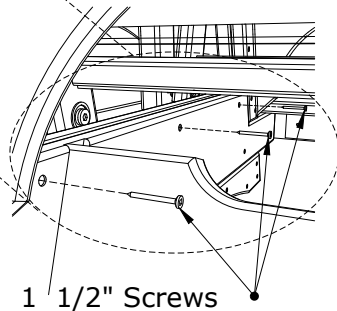
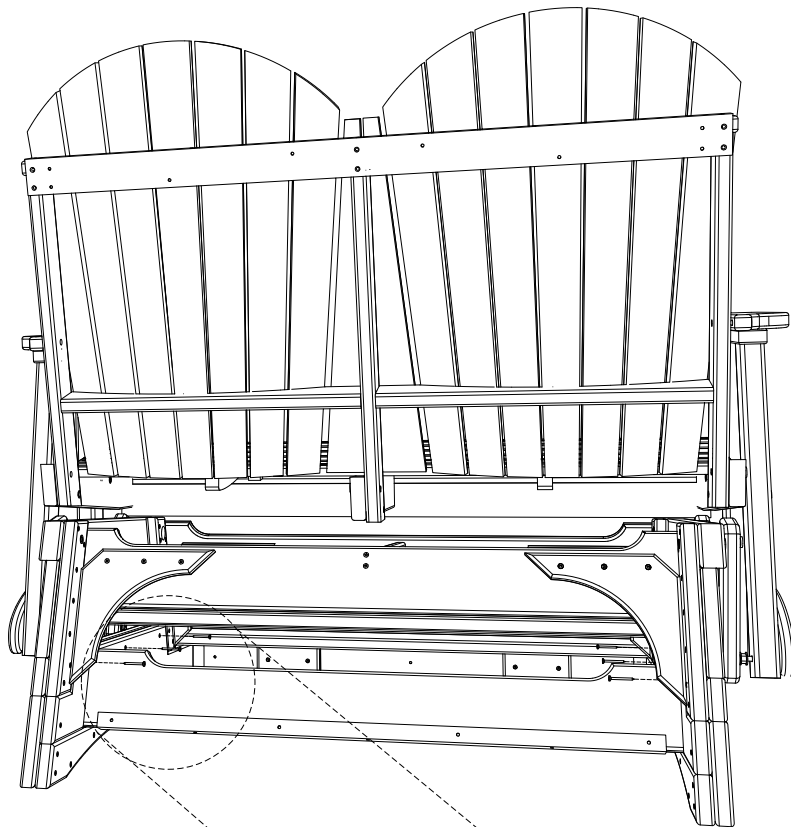
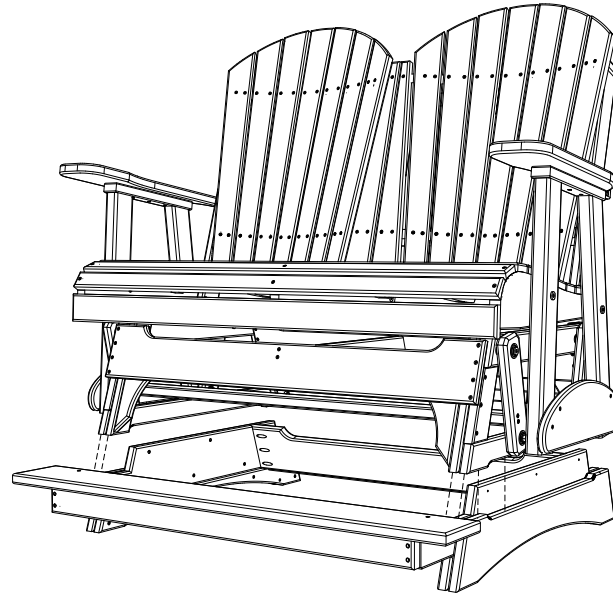
4 Balcony Base Assembly Instructions

11/15/ 2019

R.M.



3. Position Glider on Balcony Base,  
Attach Balcony Base using 3 - 1 1/2"  
Screws per side in predrilled Holes.



1 1/2" Screws

**LuxCraft™**  
FINE OUTDOOR FURNITURE

4 Balcony Base Assembly Instructions		
	11/15/ 2019	R.M.