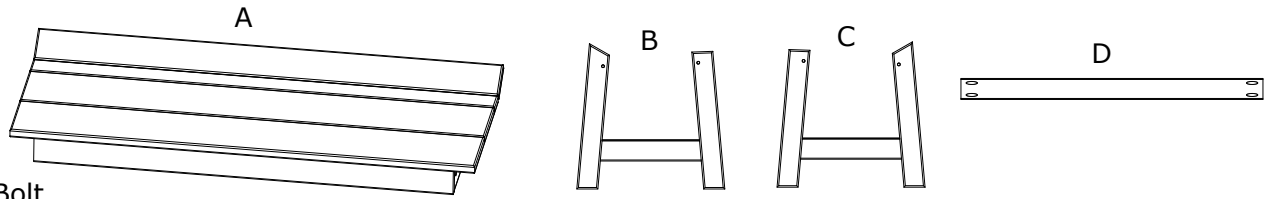




**Parts**

- 1 - (A) Seat Assembly
- 1 - (B) Right Leg Assembly
- 1 - (C) Left Leg Assembly
- 1 - (D) Cross Pc.



**Tools Required**

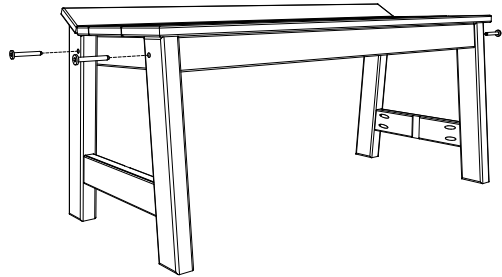
- 5/32 Hex Key (Included)
- #2 Square Drive Bit (Not Included)

**Hardware**

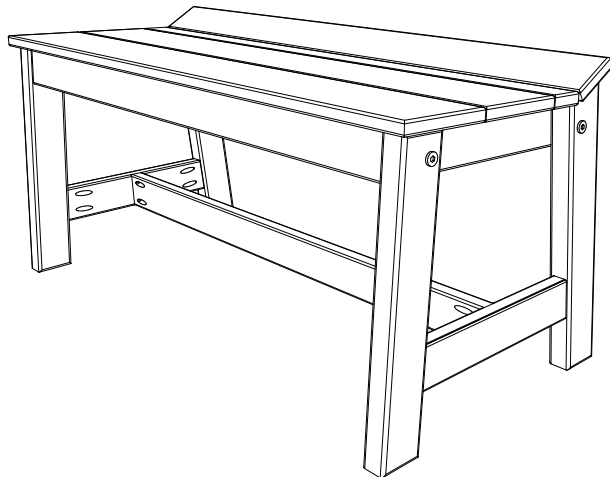
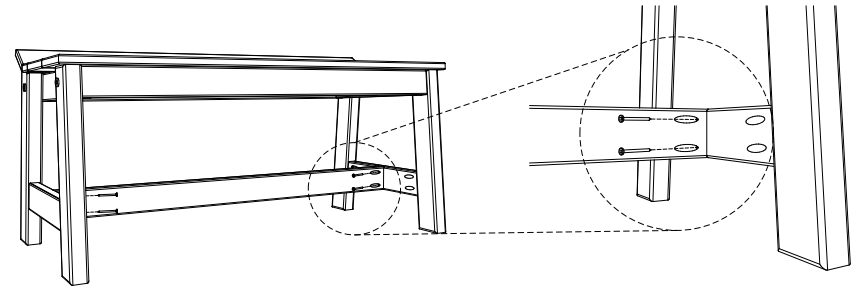
- 4 - 2-1/2" Stainless Wafer Bolt
- 4 - 1-1/2" Stainless Steel Screw
- 1 - 5/32" Key



1. Attach (B) and (C) Leg Assemblies to (A) Seat Assembly using 2 2-1/2" Wafer Bolts per side in predrilled Holes. Be Sure to match all numbers & or letters.



2. Attach (D) Cross Pc. to (B) & (C) Leg Assemblies using 2 1-1/2" Screws per side in predrilled holes. Be sure to match all numbers & or letters.



41" Café Dining Bench Assembly Instructions

12/14/ 2018

R.M.