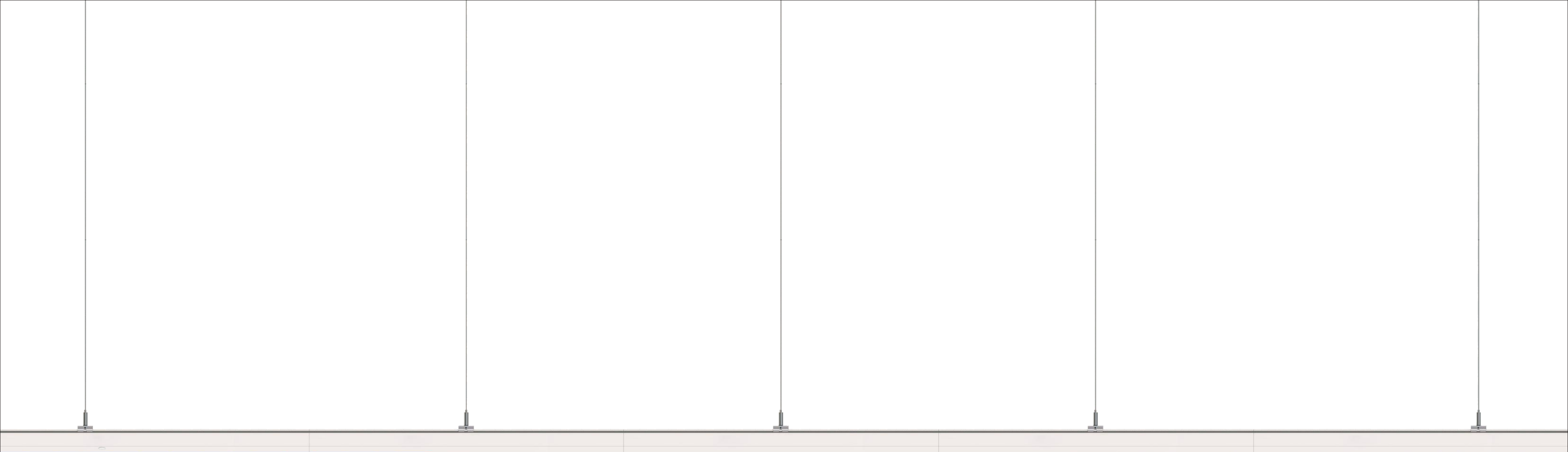




Expert of Linear Lighting

Dreamline is an efficient, flexible and versatile linear light system providing lighting solution for various applications of industrial, commercial, office etc. It provides many lighting options with various luminaire elements, optics, functional modules to meet different lighting requirements. It saves time and costs due to its extremely easy and tool less installation and maintainance design.





1

Luminaire

Various optics
DALI or 1-10V dimming
Battery emergency
emergency for centre battery system

2

Track module

Standard 3 phase track rail integrated
can be installed with track spot light
for accent lighting

3

Blank cover module

PC or aluminum version
installed at the position
without luminaire

4

Sensor module

motion sensor
lux control
voice control
group control

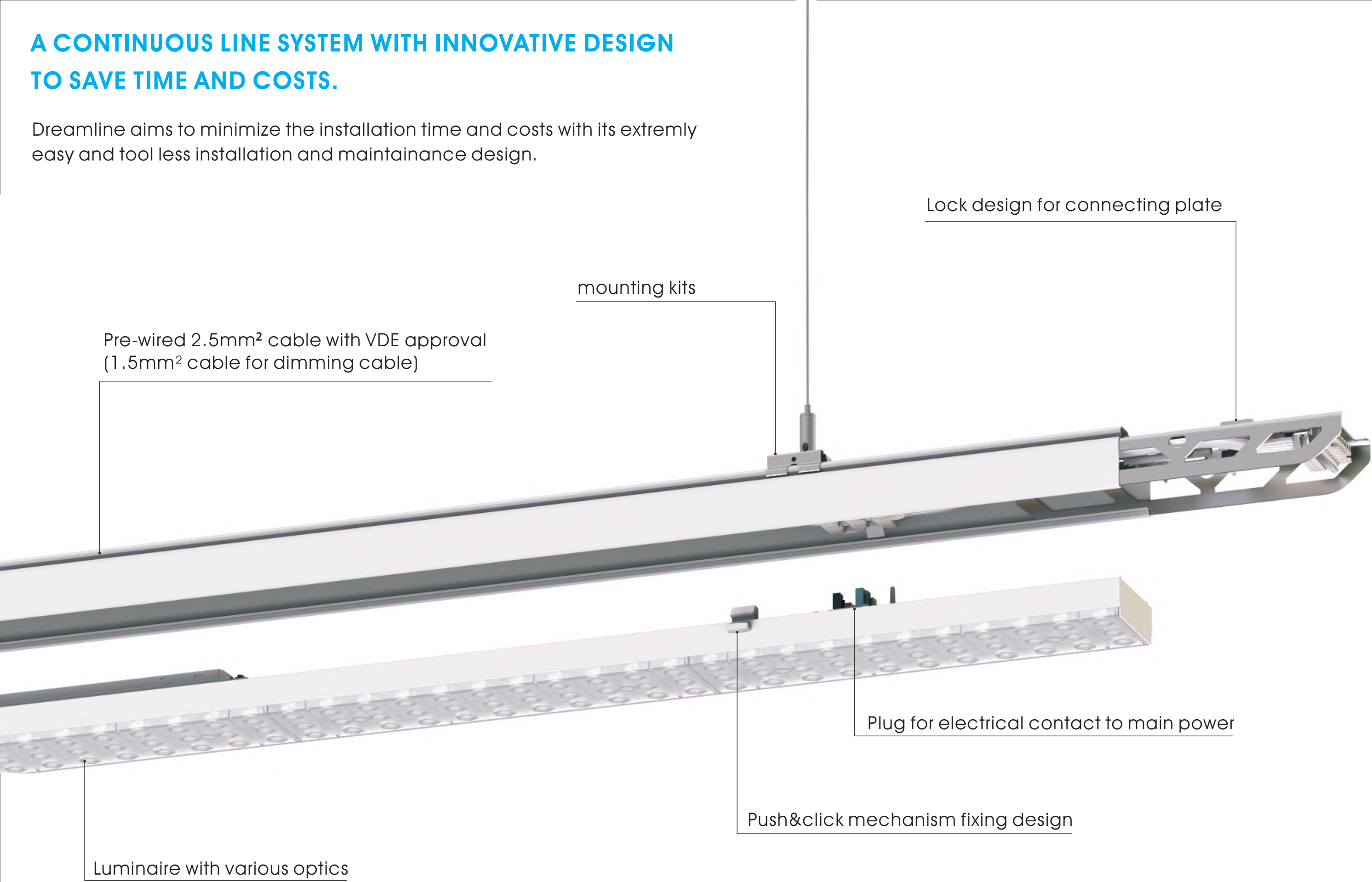
5

Other functional module

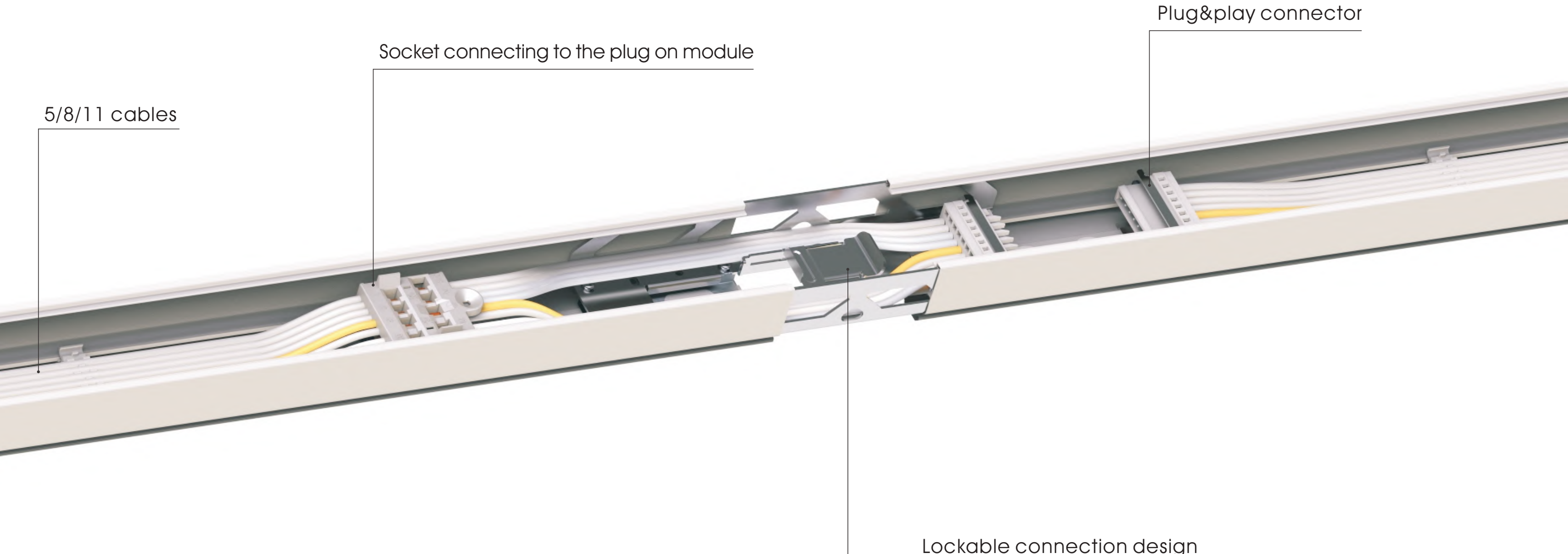
emergency light module
socket module

A CONTINUOUS LINE SYSTEM WITH INNOVATIVE DESIGN TO SAVE TIME AND COSTS.

Dreamline aims to minimize the installation time and costs with its extremely easy and tool less installation and maintenance design.



ENDLESS CONNECTION AND LIMITLESS POWER FEEDING.

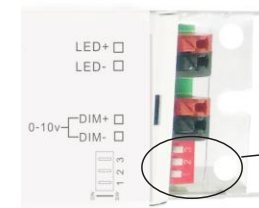


INNOVATIVE OPTICS DESIGN FOR LOWEST LIGHT LOSS AND OPTIMUM EFFICIENCY.



MORE ENERGY EFFICIENT, INNOVATIVE DIP SWITCH DESIGN INTEGRATED

New generation luminaire for Dreamline trunking light system improved with higher lumen efficiency. 8 different power from 25-75W selectable thanks to the dip switch design.

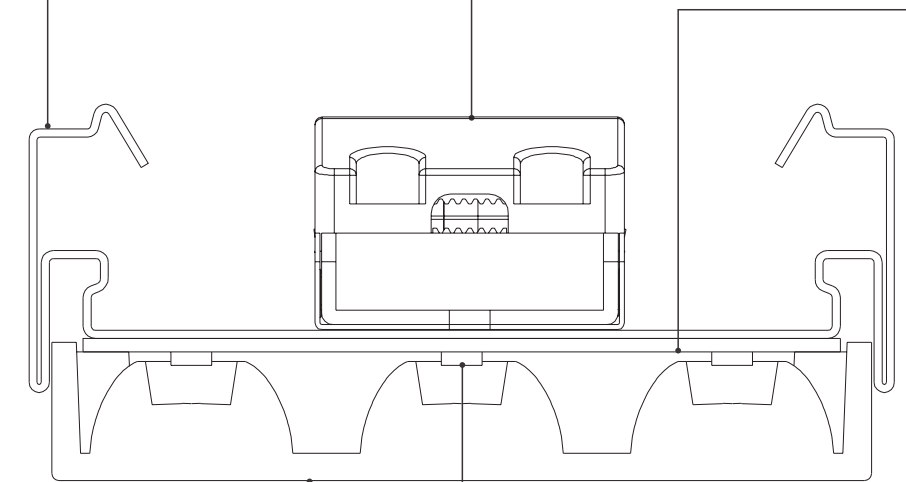


| PI | Po | Irated | 1 | 2 | 3 |
|-----|-----|--------|----|----|----|
| 75W | 69W | 440mA | — | — | — |
| 65W | 60W | 380mA | ON | — | — |
| 55W | 50W | 320mA | — | ON | — |
| 45W | 41W | 270mA | ON | ON | — |
| 40W | 37W | 240mA | — | — | ON |
| 35W | 32W | 210mA | ON | — | ON |
| 30W | 27W | 180mA | — | ON | ON |
| 25W | 22W | 140mA | ON | ON | ON |

ENEc driver, 1-10V/DALI Dip switch technology

Steel material
White/Black available

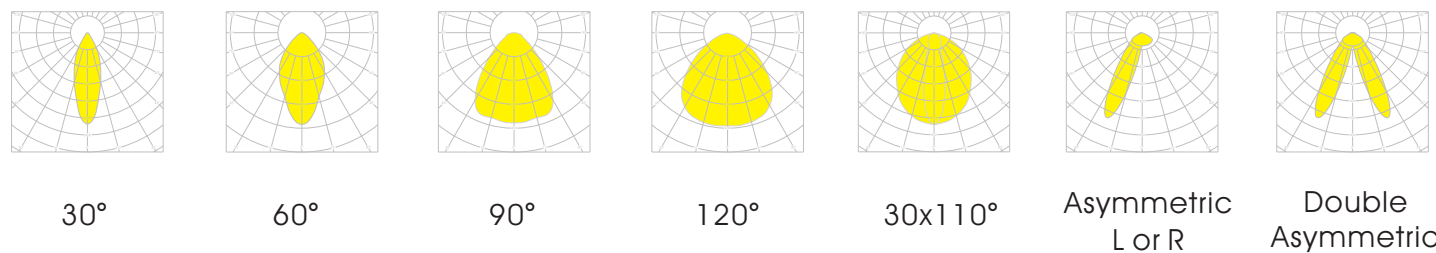
55mm(W)x1mm(H) PCB



PMMA optical lens, 6 optics available

SMD 2835, Ra > 80, SDCM < 4

Optics







HIGH LUMEN OUTPUT--

Dreamline allows you to use less luminaires to meet your lux requirement. Investment will be paid off in shorter time.

160lm/W

Dreamline provides **high colour rendering index > Ra 80.CLO (constant light output) technology** incorporated in Dreamline to maintain initial luminous flux through out the whole life time.

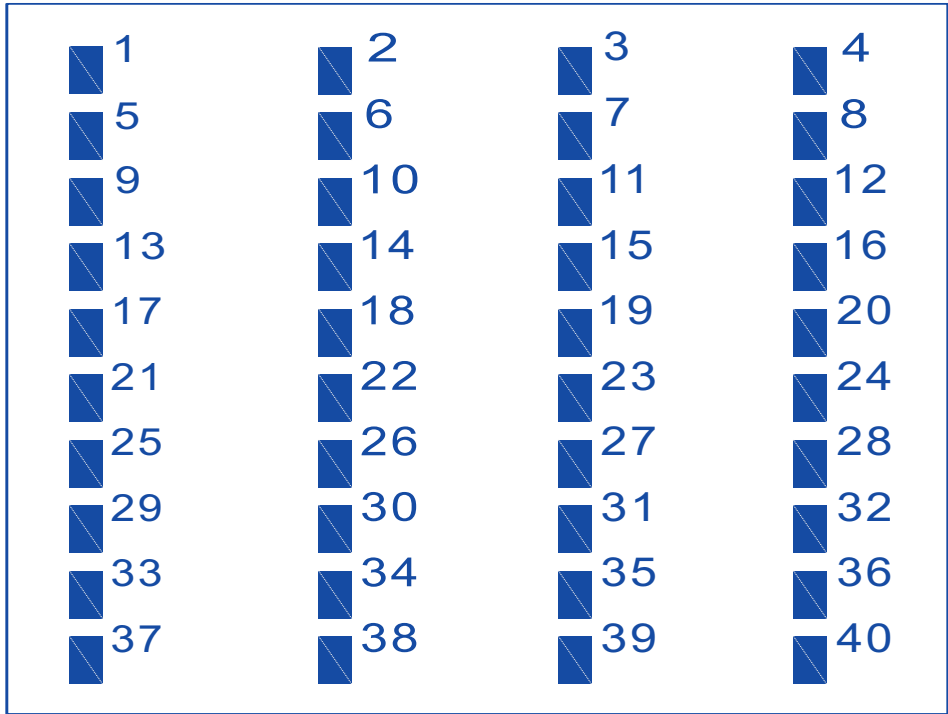
SAVING 70% INSTALLATION TIME & COSTS



Tool-free installation

Dreamline requires minimal wiring joints compared to the installation with individual luminaires, which can dramatically reduce labour costs and efforts.

Individual Luminaires

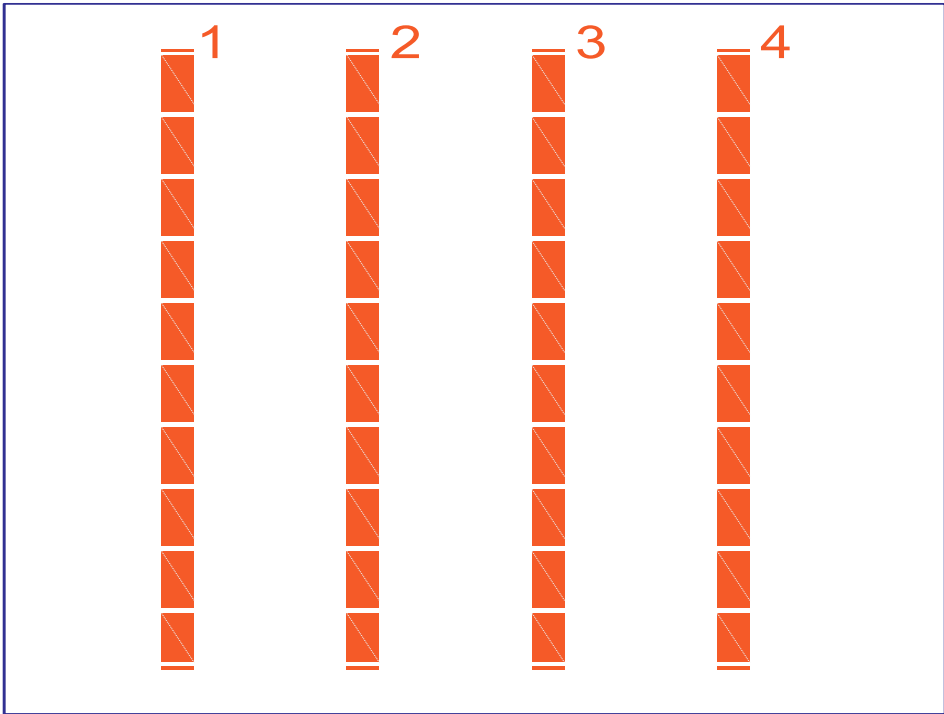


Luminaires:40

Wiring points

40

DREAMLINE



Luminaires:40

Wiring points

4



Extra functional modules like track module, blank cover module, emergency module socket module perfectly integrated into Dreamline system.



Track module

Model No: T03A15TS

Length: 1437mm

With 700mm ENEC approved Track for 1437mm trunk

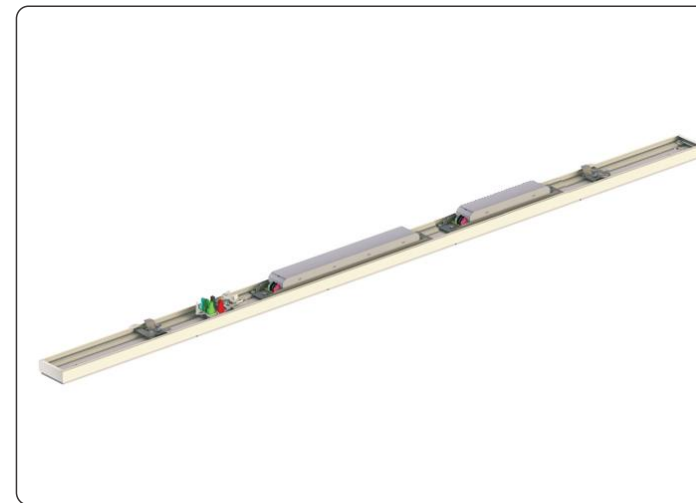


Sensor module

Model No: T03A150SN

Length: 1437mm

Detect distance: 10M Detected angle: 120°
Need 8 wires trunk



Emergency module

Model No: T03A15L75SRSE/T03A15L75SDSE

Length: 1437mm

Automatic Battery Status Detect 3h
Emergency Time @ 10w Li-battery Inside



Emergency light module

Model No: T03AEML

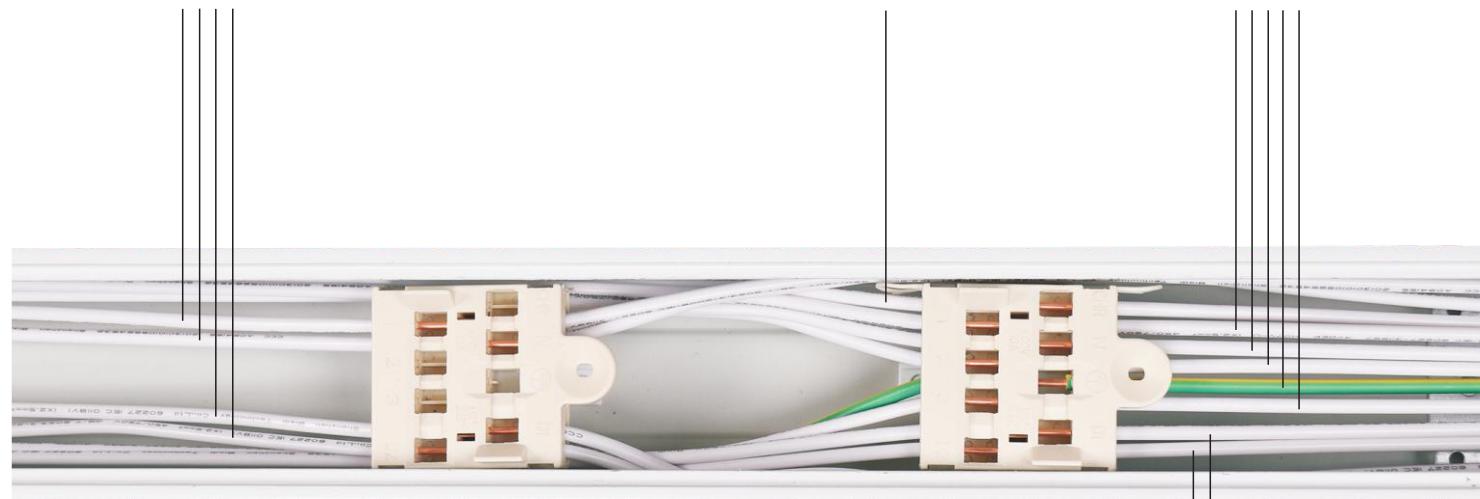
Length: 1437mm

Trunking Rail

4 cables E1+, E1-, E2+, E2- for 2 central battery system circuit

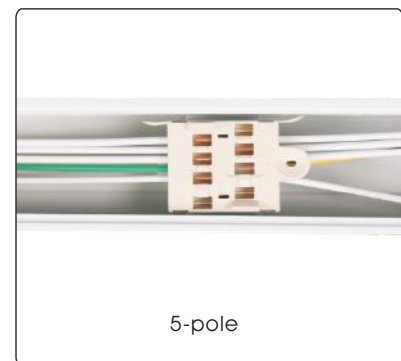
CHR

5 cables L1, L2, L3, N, G, for power supply

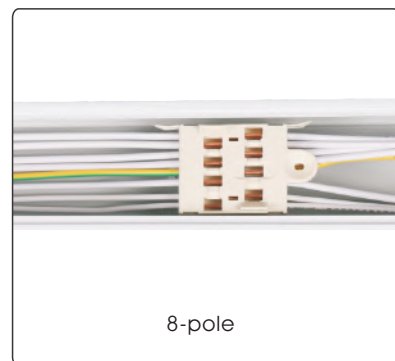


White and black finish available

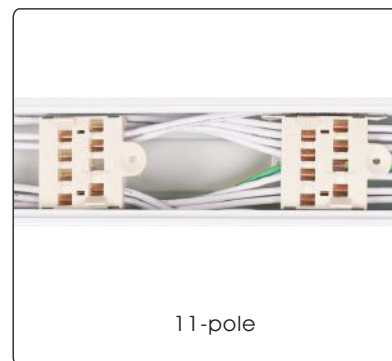
2 dimming cables DIM+, DIM- for 1-10V or DALI control



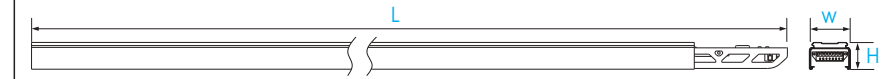
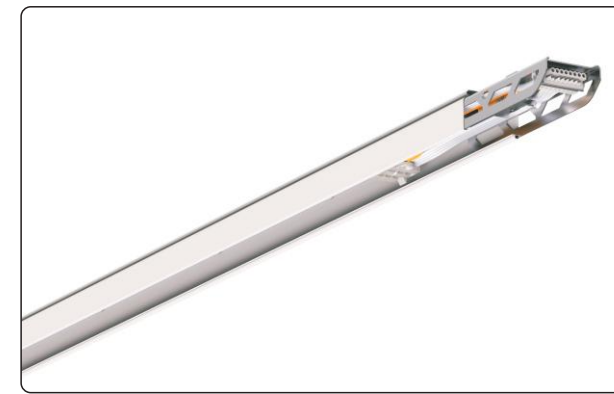
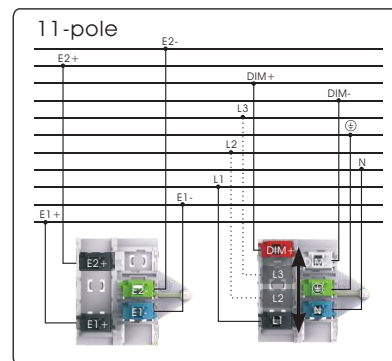
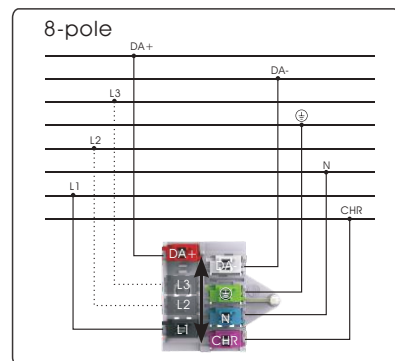
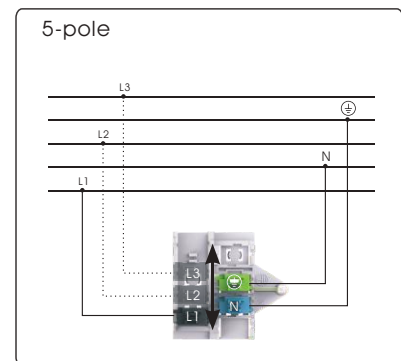
5-pole



8-pole



11-pole



5 Wires

| Type | Description | L | W | H |
|----------|-------------|------|----|----|
| T03B1505 | 5 wires | 1437 | 65 | 45 |
| T03B3005 | 5 wires | 2874 | 65 | 45 |

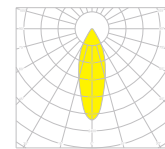
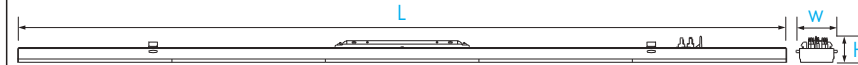
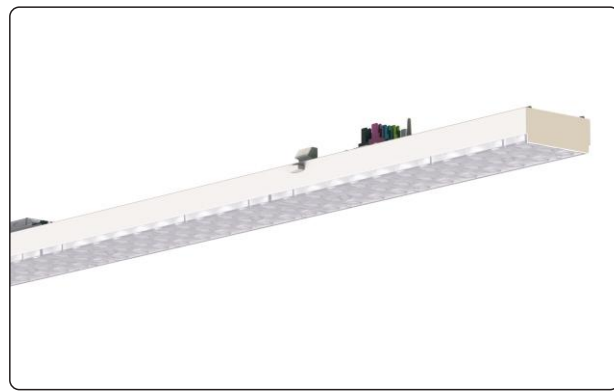
8 Wires

| Type | Description | L | W | H |
|----------|-------------|------|----|----|
| T03B1508 | 8 wires | 1437 | 65 | 45 |
| T03B3008 | 8 wires | 2874 | 65 | 45 |

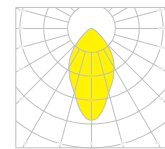
11 Wires

| Type | Description | L | W | H |
|----------|-------------|------|----|----|
| T03B1511 | 11 wires | 1437 | 65 | 45 |
| T03B3011 | 11 wires | 2874 | 65 | 45 |

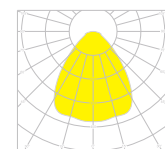
LED MODULE



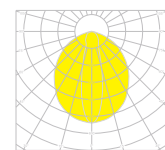
| Model | Power | Beam angle | LM/W | L | W | H |
|-------------------|--------|------------|---------|------|----|----|
| T03A15L58N/D 30 | 33-58W | 30° | 160lm/w | 1437 | 65 | 27 |
| T03A15L75N/R/D 30 | 25-75W | 30° | 160lm/w | 1437 | 65 | 27 |



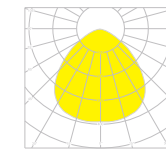
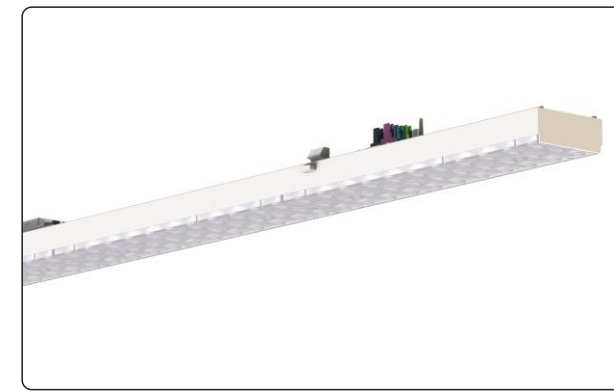
| Model | Power | Beam angle | LM/W | L | W | H |
|-------------------|--------|------------|---------|------|----|----|
| T03A15L58N/D 60 | 33-58W | 60° | 160lm/w | 1437 | 65 | 27 |
| T03A15L75N/R/D 60 | 25-75W | 60° | 160lm/w | 1437 | 65 | 27 |



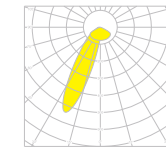
| Model | Power | Beam angle | LM/W | L | W | H |
|-------------------|--------|------------|---------|------|----|----|
| T03A15L58N/D 90 | 33-58W | 90° | 160lm/w | 1437 | 65 | 27 |
| T03A15L75N/R/D 90 | 25-75W | 90° | 160lm/w | 1437 | 65 | 27 |



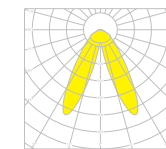
| Model | Power | Beam angle | LM/W | L | W | H |
|--------------------|--------|------------|---------|------|----|----|
| T03A15L58N/D 110 | 33-58W | 30x110° | 160lm/w | 1437 | 65 | 27 |
| T03A15L75N/R/D 110 | 25-75W | 30x110° | 160lm/w | 1437 | 65 | 27 |



| Model | Power | Beam angle | LM/W | L | W | H |
|--------------------|--------|------------|---------|------|----|----|
| T03A15L63N/D 120 | 36-63W | 120° | 160lm/w | 1437 | 65 | 27 |
| T03A15L73N/R/D 120 | 28-73W | 120° | 160lm/w | 1437 | 65 | 27 |



| Model | Power | Beam angle | LM/W | L | W | H |
|-------------------|--------|------------|---------|------|----|----|
| T03A15L58N/D SA | 33-58W | SA25° | 160lm/w | 1437 | 65 | 27 |
| T03A15L75N/R/D SA | 25-75W | SA25° | 160lm/w | 1437 | 65 | 27 |

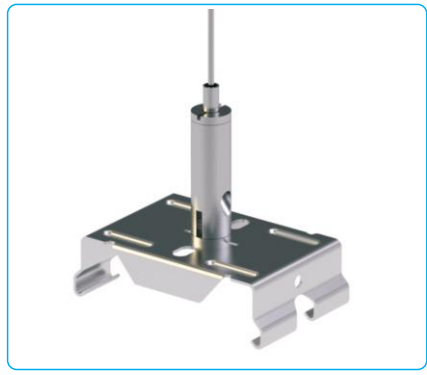


| Model | Power | Beam angle | LM/W | L | W | H |
|-------------------|--------|------------|---------|------|----|----|
| T03A15L58N/D DA | 33-58W | DA25° | 160lm/w | 1437 | 65 | 27 |
| T03A15L75N/R/D DA | 25-75W | DA25° | 160lm/w | 1437 | 65 | 27 |

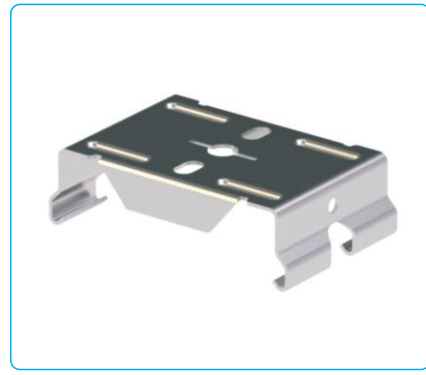
ACCESSORY



Chain suspension kit

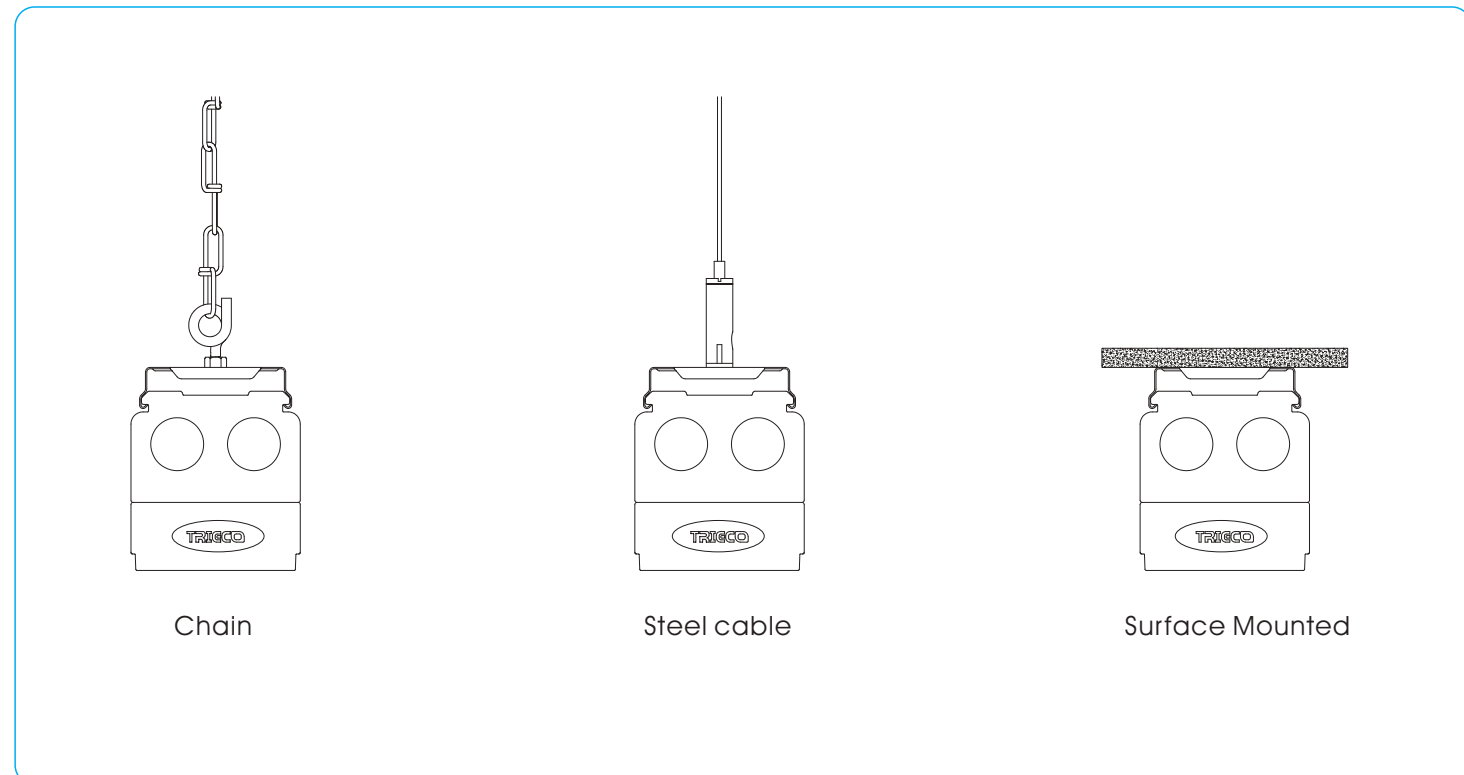
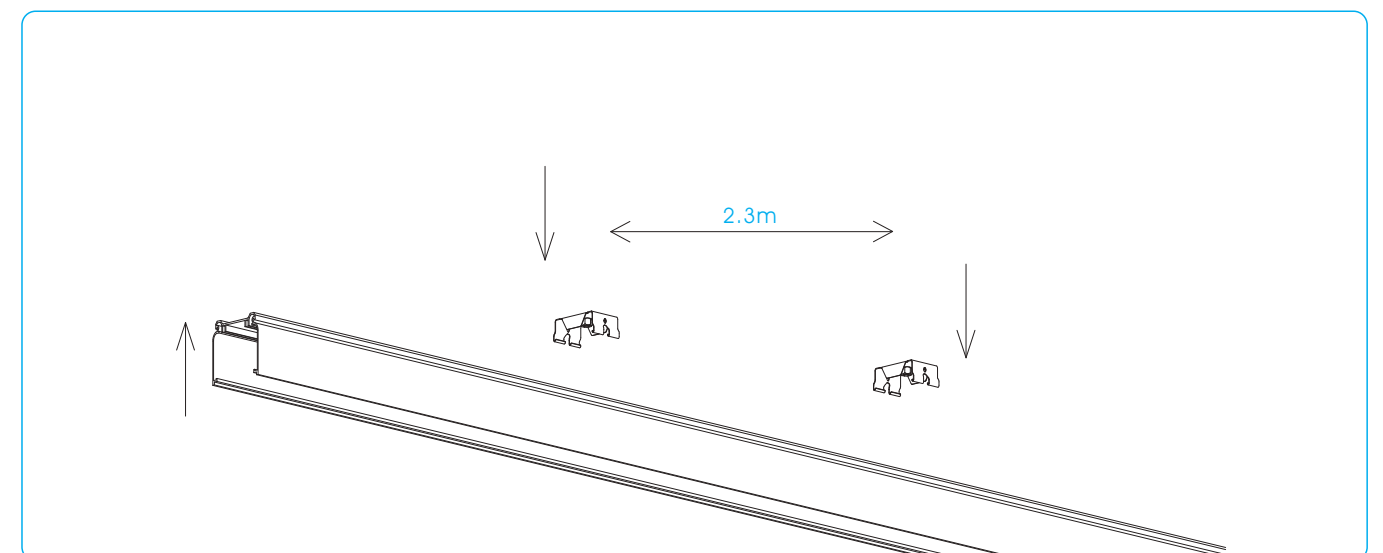
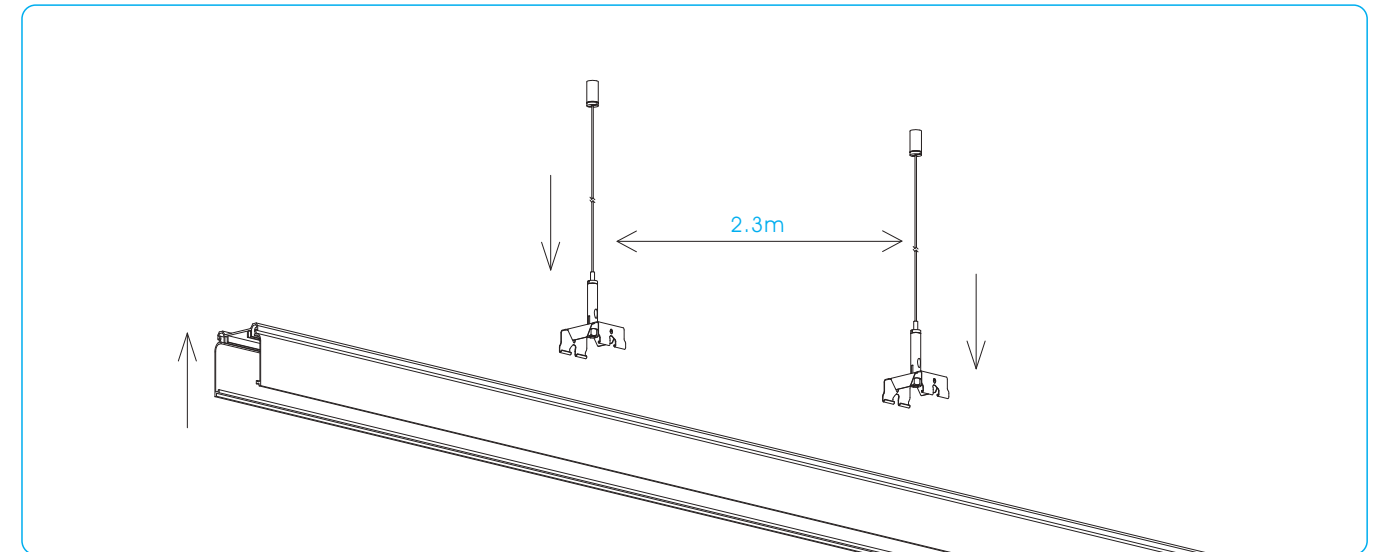
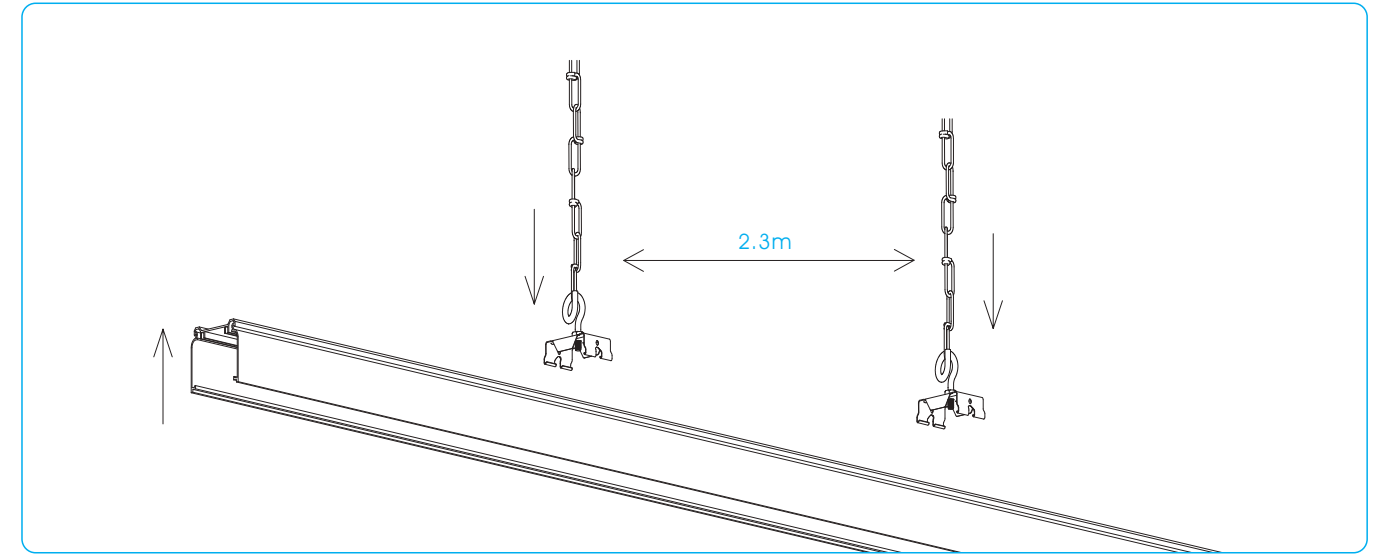


Steel cable suspension kit



Surface mounting kit

INSTALLATION DISTANCE



Chain

Steel cable

Surface Mounted

ACCESSORY

End Cap

Model No: DMA005
1 unit required per line



AC input Terminal

Model No: DMA006S
for power cable feed in. Alternative of DMA013S



Input cable protector

Model No: DMA004
pc



End box

Model No: DMA005S
1 unit required per line



Terminal Feed In Box -Start unit

Model No: DMA013S
for power cable feed in. Alternative of DMA006



Universal node connector

Model:DMA011



EFFICIENCY COMPARISON

Application Supermarket

| | T8 2x58W(Fluorescent) | Dreamline(LED) |
|--------------------------|-----------------------|----------------|
| Luminous flux | 8364 lm | 8800lm |
| Power consumption | 123W | 55W |
| Luminous efficacy | 68 lm/w | 160 lm/w |
| Total power consumption | 28905W | 11880W |
| Power factor | 0.9 | 0.95 |
| Direct/indirect emitting | 100% direct | 100% direct |
| Optical type | diffuser | led lens |
| Number of luminaires | 235 | 216 |

60%

less energy

10%

fewer luminaires



EFFICIENCY COMPARISON

Application Warehouse

| | Metal halide | Dreamline(LED) |
|--------------------------|--------------|----------------|
| Luminous flux | 10500 lm | 11625 lm |
| Power consumption | 150W | 75W |
| Luminous efficacy | 70 lm/w | 155 lm/w |
| Total power consumption | 174000W | 74250W |
| Power factor | 0.8 | 0.95 |
| Direct/indirect emitting | indirect | 100% direct |
| Optical type | reflector | led lens |
| Number of luminaires | 1160 | 990 |

58%

less energy

10%

fewer luminaires



EFFICIENCY COMPARISON

Application Production hall

| | T5 2x54W(Fluorescent) | Dreamline(LED) |
|--------------------------|-----------------------|----------------|
| Luminous flux | 8364 lm | 8800 lm |
| Power consumption | 115W | 55W |
| Luminous efficacy | 68 lm/w | 160 lm/w |
| Total power consumption | 21260W | 9240W |
| Power factor | 0.9 | 0.95 |
| Direct/indirect emitting | 100% direct | 100% direct |
| Optical type | diffuser | led lens |
| Number of luminaires | 188 | 168 |

57%

less energy

10%

fewer luminaires

