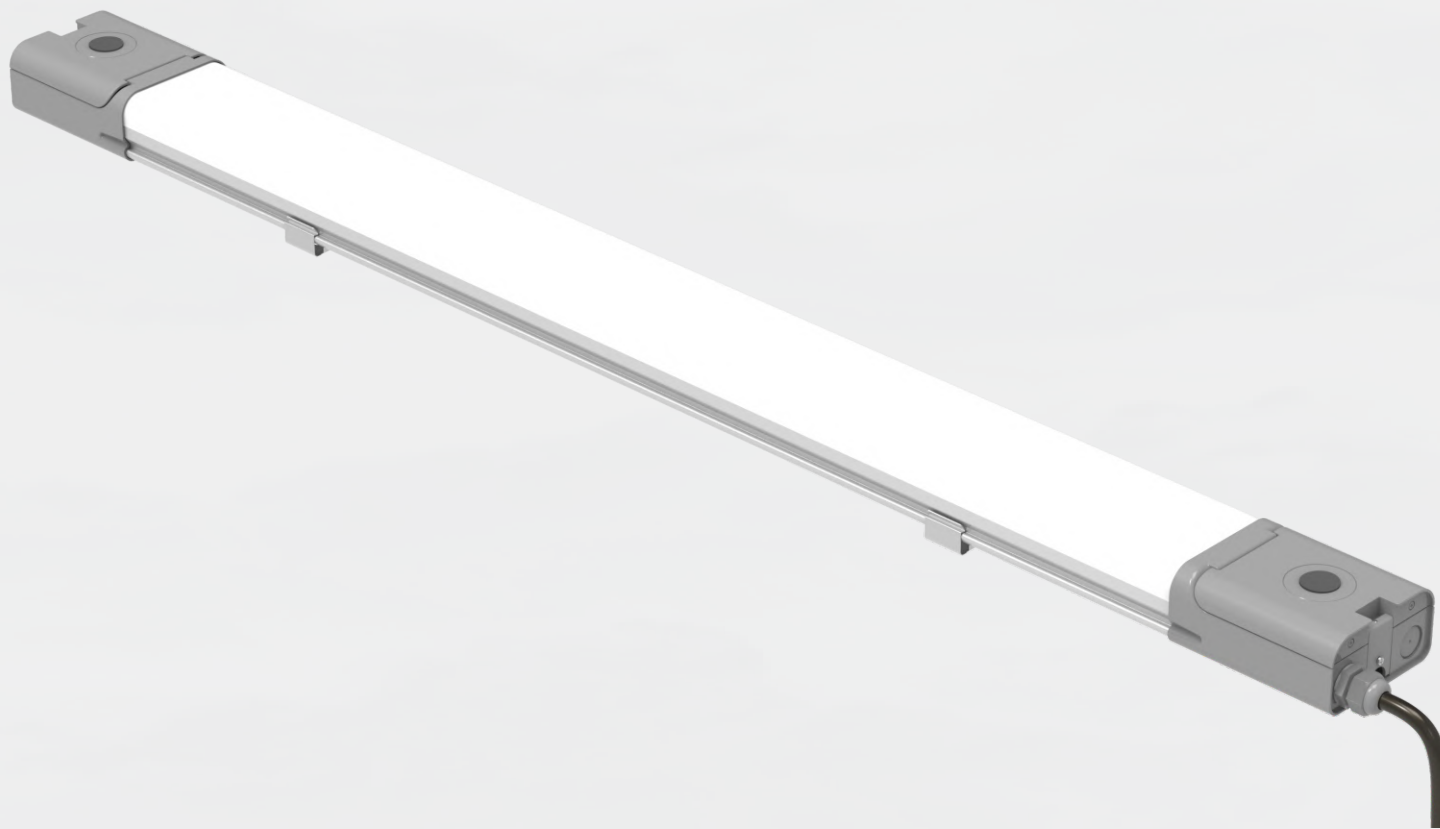


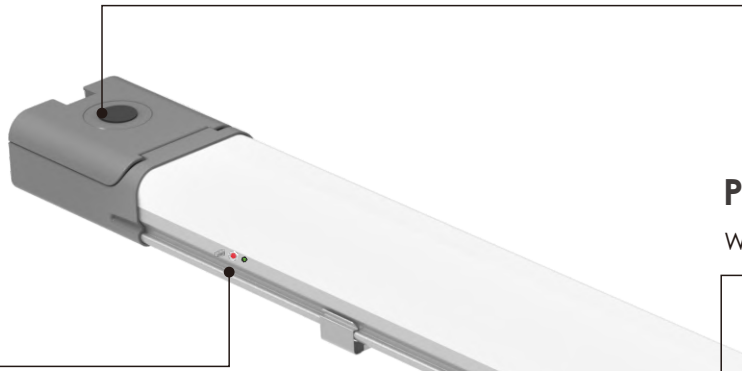
# Jibe Rezista Evo

IP65 Waterproof linear light



**Plug & Play Battery for Emergency**

Easy for maintenance



**PC diffuser**

Won't yellowing after time goes by



**Emergency driver**

Self-testing ,long lifespan



**Much wider illuminating surface**



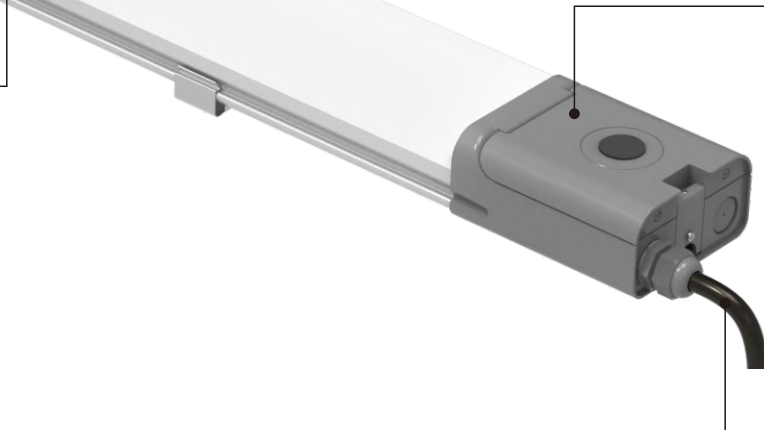
**Sensor ready**

Plug-play ,flexible solution



**Loop in-out wiring**

3pcsX 2.5mm<sup>2</sup> cables+ 2pcsX 1.5mm<sup>2</sup> cables go through



# Parameter

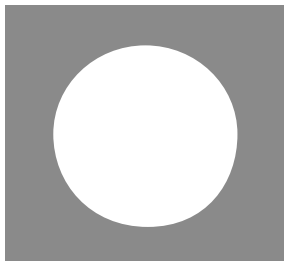


## Parameter

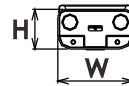
3000K 4000K 5000K 6500K

Length	Wattage	Lumen	CCT	Dimming
609mm	18W	150lm/w	3000K/4000K/ 5000K/6000K	Non-Dim/ Dali
1219mm	25W-50W switchable	150lm/w	3000K-4000K-5000K adjustable	Non-Dim
1219mm	40W	150lm/w	3000K/4000K/ 5000K/6000K	Non-Dim/ Dali
1500mm	50W	150lm/w	3000K/4000K/ 5000K/6000K	Non-Dim/ Dali
1500mm	25W-50W switchable	150lm/w	3000K-4000K-5000K adjustable	Non-Dim
1500mm	20W-65W switchable	150lm/w	3000K-4000K-5000K adjustable	0-10V

## Light distribution

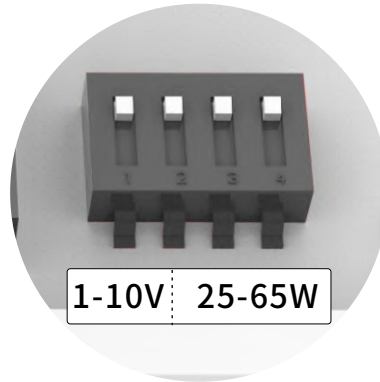


Lens 120°

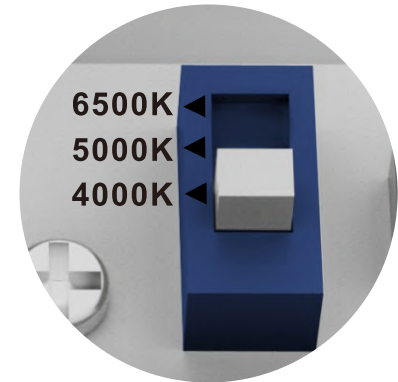


	L	W	H	weight
0.6M	600mm	102mm	54mm	1.13Kg
1.2M	1219mm	102mm	54mm	1.5Kg
1.5M	1500mm	102mm	54mm	1.9Kg

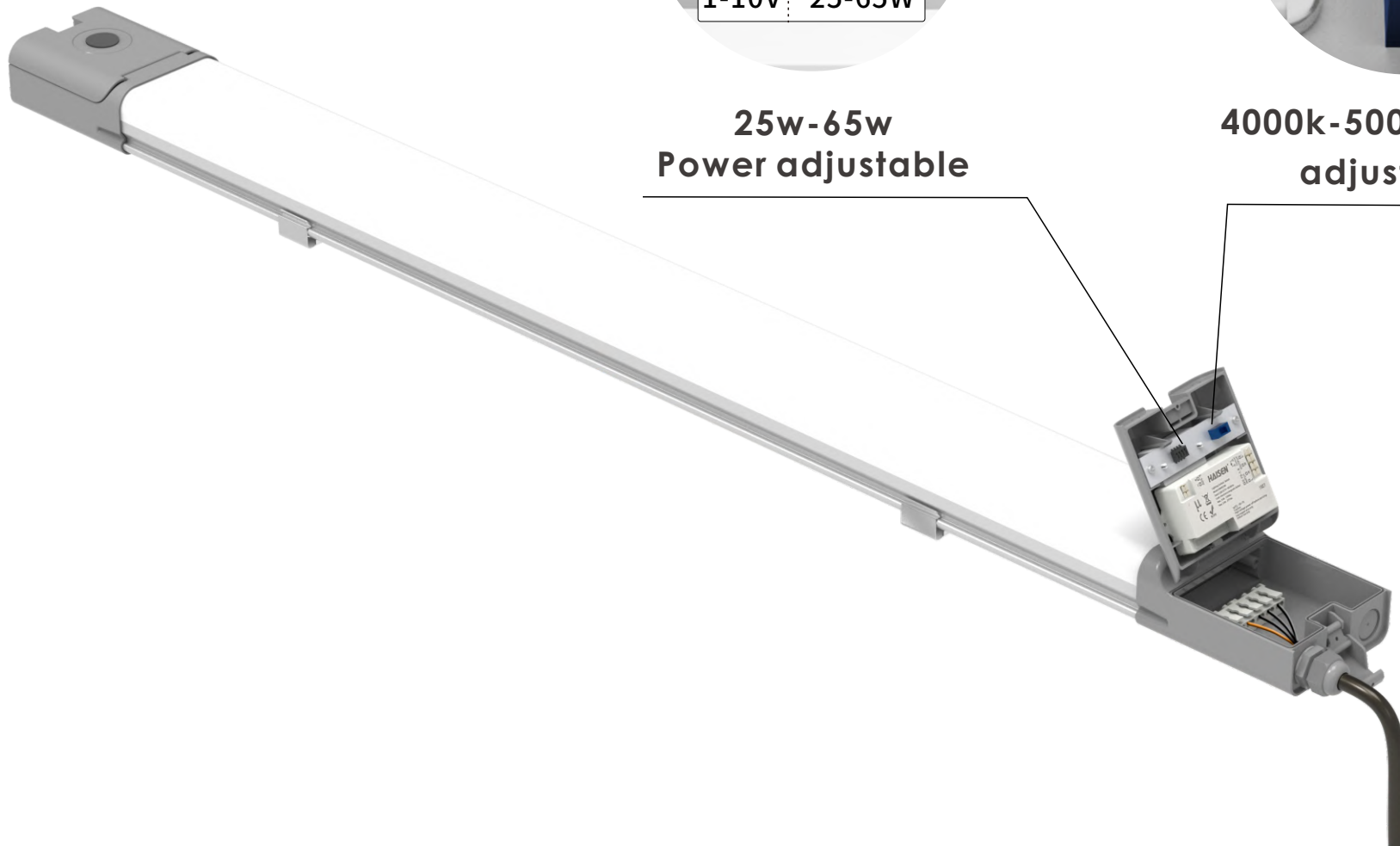
Power adjustable & CCT adjustable via DIP switch



25w-65w  
Power adjustable



4000k-5000k-6500k  
adjustable

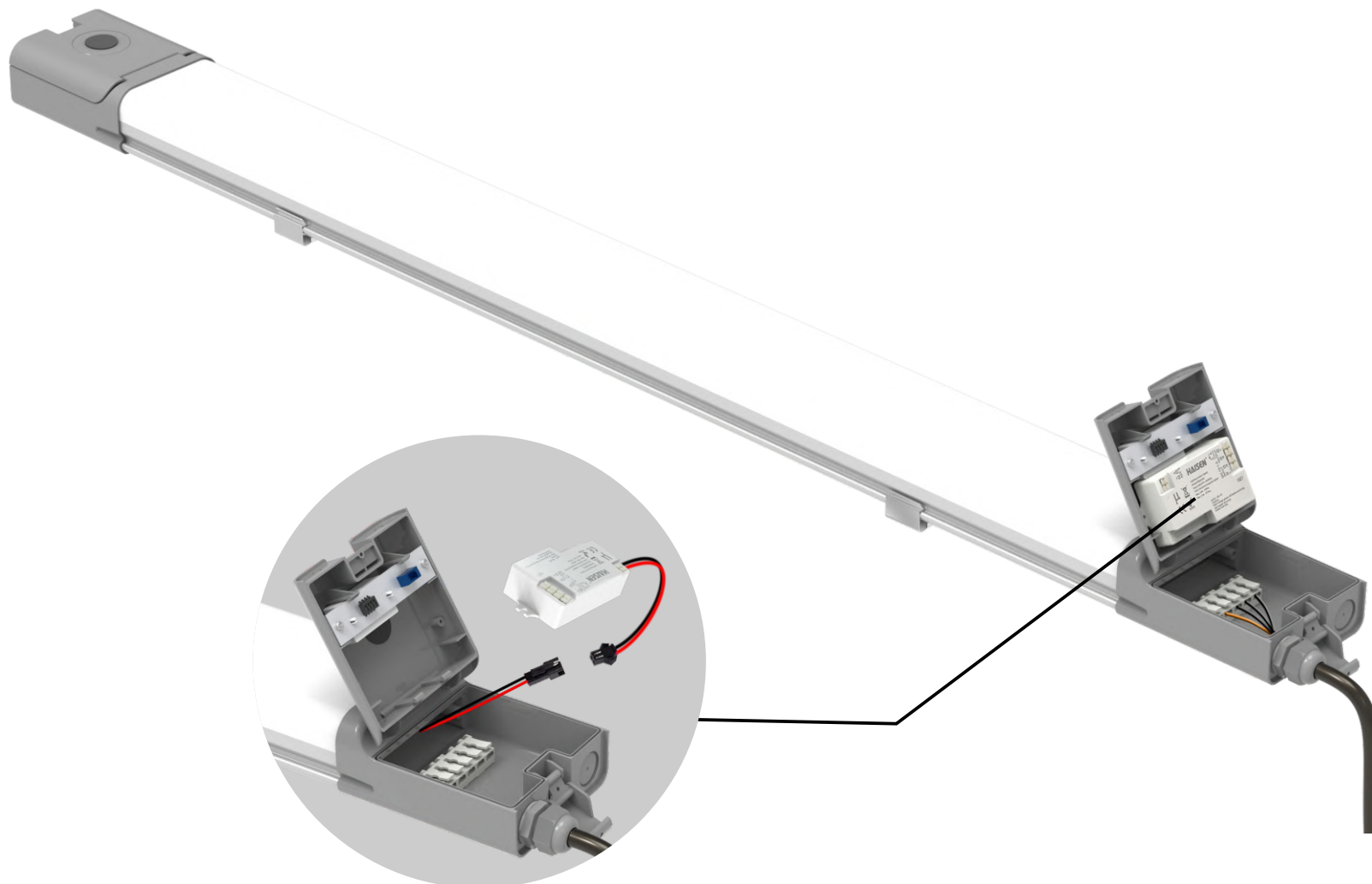


## Built in sensor

Motion sensor + Daylight sensor

Plug & Play via terminal

Can be installed in project field



Sensor Ready  15M height



Type 1: PIR sensor + Daylight threshold



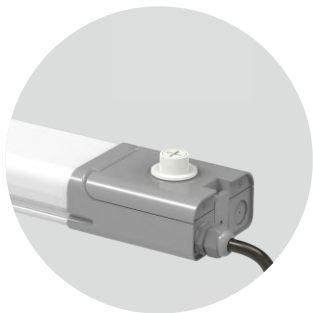
Type 2: Microwave + daylight threshold



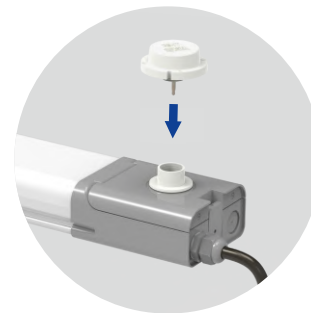
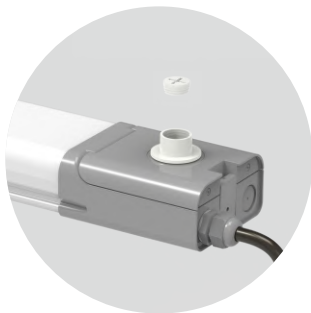
Type 3: Microwave + daylight Harvesting



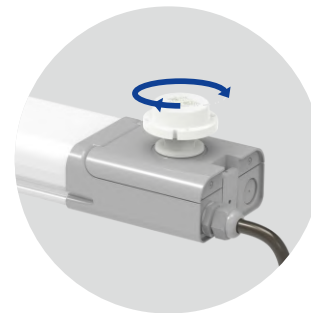
Type 4: Microwave + Bluetooth control



Sensor base reserved in lamp



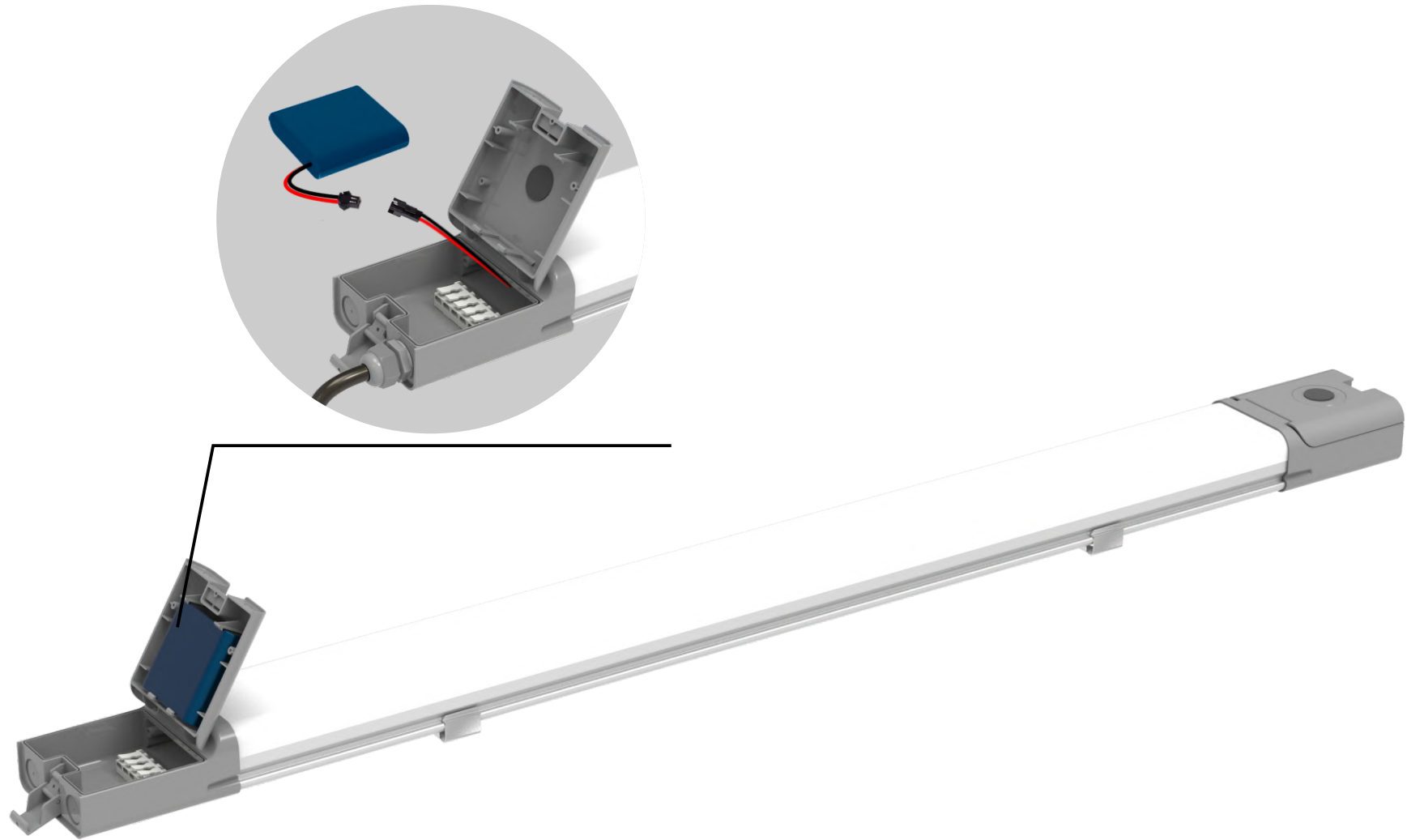
Sensor plug-play



RC-100

# Plug&Play Battery for emergency lighting

Easy for maintenance

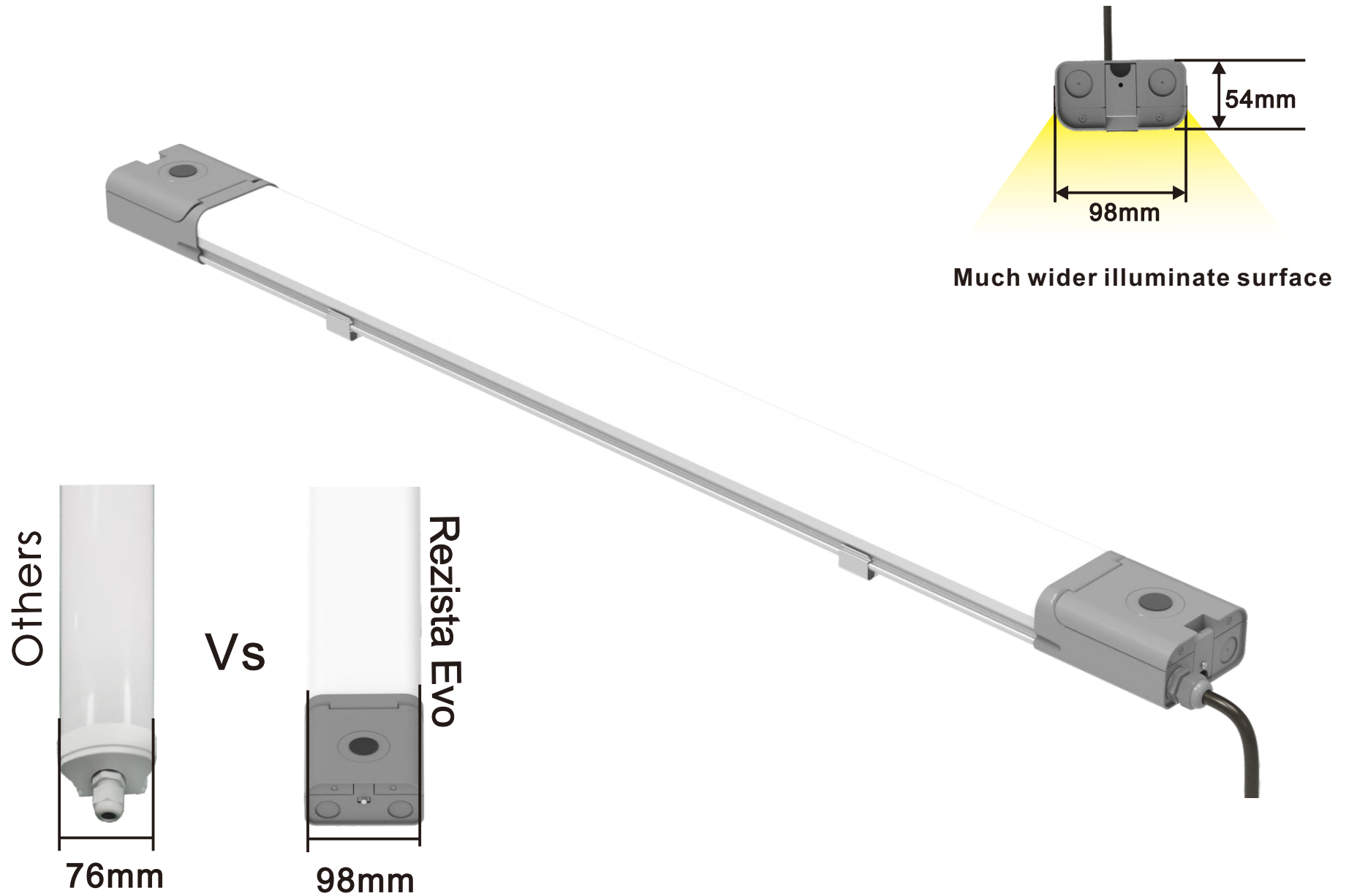


Much bigger space for wiring



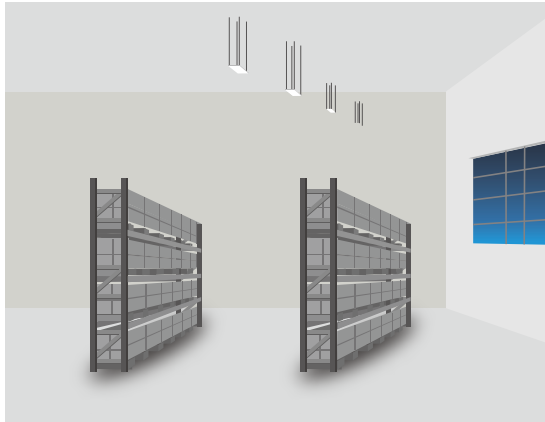


Wider light- emitting surface

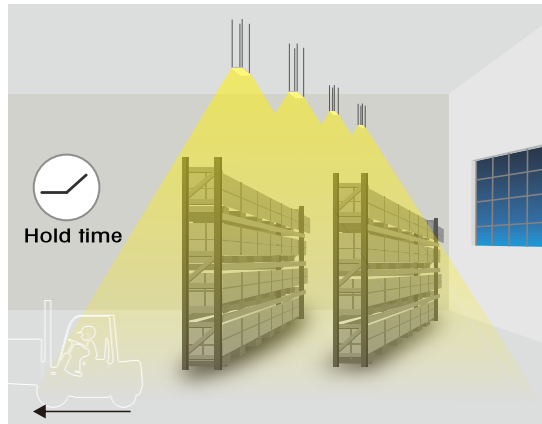


# Step dimming PRI sensor

## ON-OFF sensor

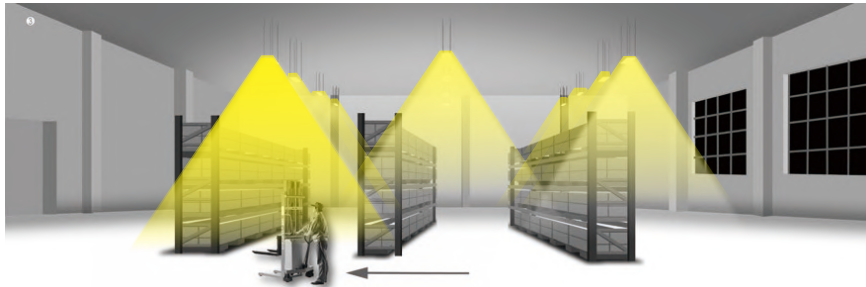
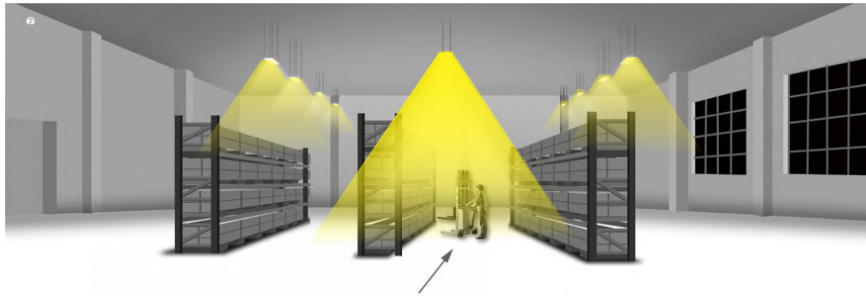
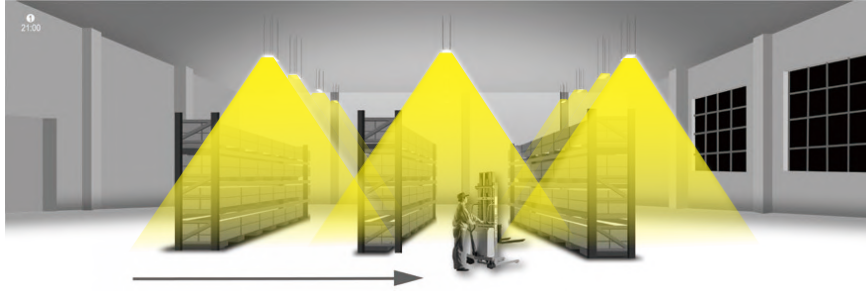


## Step Dimming sensor



# Daylight sensor + PIR motion sensor in DALI system

Night



Daytime

