

LIGNUM RETAIL SERIES

LED SPOT PITCH



مباہز



The PITCH spot light has been elegantly designed. The Pitch can be placed close to the object due to its very small form factor and unique sleek design. The hinge is part of the housing and beautifully integrated into the lamp body. Especially when you have low ceilings or tiny object like jewelry or art, the Pitch is the right choice for you.



- Vivid and Bright colors
- Slim design
- Energy efficient: more than 100 lumens per Watt
- 3 available and replaceable lenses
- Hinge integrated in the lamp body
- Dimmable (option)
- Maintenance free
- Very long 50.000 hours lifetime
- Integrated driver.
- 3 phase Uni-pro track adapter
- HEP LED driver with high Power factor
- Cree COB LED made in the U.S.A
- 5 years warranty

LIGNUM RETAIL SERIES LED SPOT PITCH



PRODUCT INFORMATION

Part Number	JB-LG9-3-25-80 25W 3000K	JB-LG10-3-20-80 20W 3000K
-------------	-----------------------------	------------------------------

GENERAL CHARACTERISTICS

Case Material	Die-casting Aluminium Alloy
Optics Material	Lens
Intensity Degradation 90% @ 25°C	10,000 hrs
Intensity Degradation 75% @ 25°C	50,000 hrs
Operation Temperature	-30% - +50°C
Installation	Track mounted
Colours	White (W), Black (B), Grey (G), Aluminum (Al), Gold (GLD)

PHOTOMETRIC CHARACTERISTICS

Total Flux	2650	2040
Nominal Optical Efficiency	106 lm/W (46°)	102 lm/W (34°)
Color Temperature for all models (opt.)	3000K(4000-5000K)	3000K(4000-5000K)
Color Rendering Index (CRI)	80 (90)	80 (90)
Viewing Angle	12-24-46	18-24-34

ELECTRICAL CHARACTERISTICS

Input Voltage	90-265VAC / 50-60Hz	
Power Consumption	25W	20W
Power Factor	0,95	0,95
Dimmable optional (5%-100%)	Yes	Yes

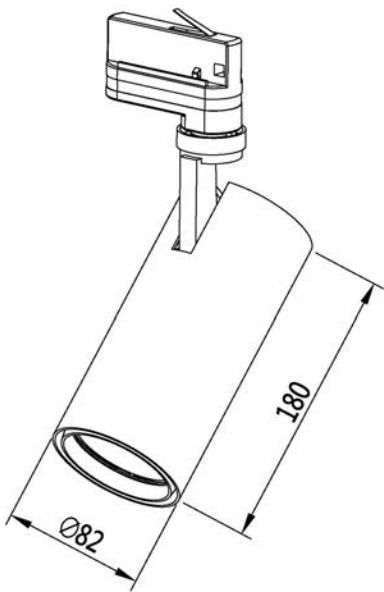
SHIPMENT DIMENSIONS

Carton Dimensions (LxWxH in cm)	51,5 x 41,5 x 30,5 cm	41,5 x 41,5 x 30,5 cm
Packing Quantity	20 pcs	25 pcs
Weight per carton in Kg	21.5 Kg	22.0 Kg

LIGNUM RETAIL SERIES LED SPOT PITCH



LG9



LG10

