

LIGNUM RETAIL SERIES

LED SPOT FLOOD



مباز

LIGNUM RETAIL SERIES LED SPOT FLOOD



The amazing FLOOD spot light is truly unique. It is used for presenting your products on shelves. Its asymmetrical lens produces a rectangular light shape to the side, while at the same time the products on the top shelves will have the same light intensity as the products on the mid- and bottom shelves.



- Vivid and Bright colors
- Asymmetrical rectangular light output
- Energy efficient: 100 lumens per Watt
- Dimmable (option)
- Maintenance free
- Very long 40.000 hours lifetime
- Integrated lamp- and driver body.
- 3 phase Uni-pro track adapter
- HEP LED driver with high Power factor
- Cree COB LED made in the U.S.A
- 5 years warranty

LIGNUM RETAIL SERIES LED SPOT FLOOD



PRODUCT INFORMATION

Part Number	LG8-3-28-80 28W 3000K	LG8-3-28-90 28W 3000K	LG-8-4-28-95 28W 4000K
-------------	--------------------------	--------------------------	---------------------------

GENERAL CHARACTERISTICS

Case Material	Die-casting Aluminium Alloy
Optics Material	Reflector and lens
Intensity Degradation 90% @ 25°C	10,000 hrs
Intensity Degradation 75% @ 25°C	40,000 hrs
Operation Temperature	-30% - +50°C
Installation	Track mounted
Colours	White (W), Black (B), Grey (G), Aluminum (Al)

PHOTOMETRIC CHARACTERISTICS

Total Flux	3020	2591	2245
Nominal Optical Efficiency	107 lm/W	93 lm/W	82 lm/W
Color Temperature for all 3 models	3000K-3200K (optional 4000K)	3000K-3200K (optional 4000K)	4000K (Citled Vivid)
Color Rendering Index (CRI)	80	90	95
Viewing Angle			

ELECTRICAL CHARACTERISTICS

Input Voltage	90-265VAC / 50-60Hz		
Power Consumption	28W	28W	28W
Power Factor	0,95	0,95	0,95
Dimmable optional (5%-100%)	Yes	Yes	Yes

SHIPMENT DIMENSIONS

Carton Dimensions (LxWxH in cm)	72 x 31 x 37 cm
Packing Quantity	10 pcs
Weight per carton in Kg	21.5 Kg

LIGNUM RETAIL SERIES LED SPOT FLOOD

PRODUCT INFORMATION

Part Number	LG8-3-35-80 ATLB 35W 3000K	LG8-3-35-90 ATLB 35W 3000K
-------------	-------------------------------	-------------------------------

GENERAL CHARACTERISTICS

Case Material	Die-casting Aluminium Alloy
Optics Material	Reflector and lens
Intensity Degradation 90% @ 25°C	10,000 hrs
Intensity Degradation 75% @ 25°C	40,000 hrs
Operation Temperature	-30% - +50°C
Installation	Track mounted
Colours	White (W), Black (B), Grey (G), Aluminum (Al)

PHOTOMETRIC CHARACTERISTICS

Total Flux	3823	
Nominal Optical Efficiency	109 lm/W	
Color Temperature for all 3 models	3000K-3200K (optional 4000K)	3000K-3200K (optional 4000K)
Color Rendering Index (CRI)	80	90
Viewing Angle		

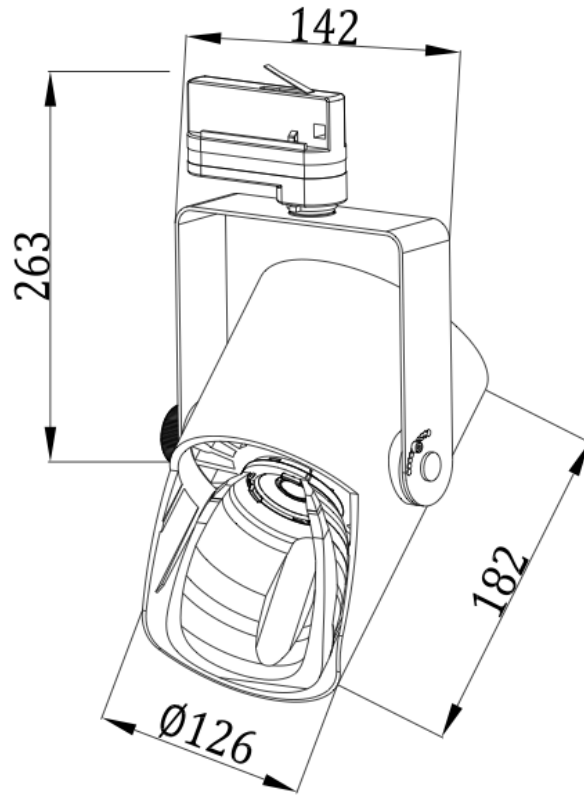
ELECTRICAL CHARACTERISTICS

Input Voltage	90-265VAC / 50-60Hz	
Power Consumption	35W	35W
Power Factor	0,95	0,95
Dimmable optional (5%-100%)	Yes	Yes

SHIPMENT DIMENSIONS

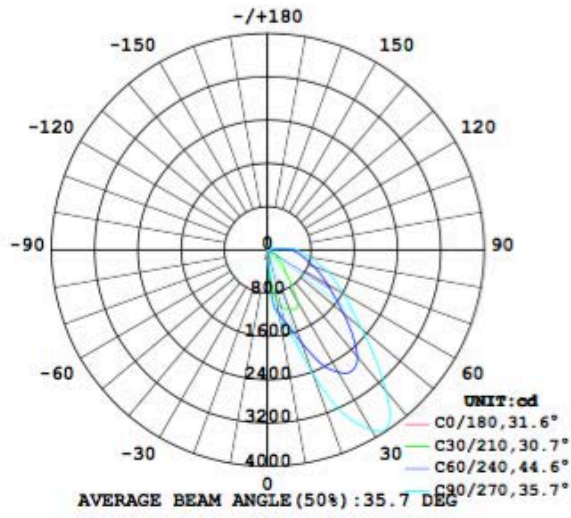
Carton Dimensions (LxWxH in cm)	72 x 31 x 37 cm
Packing Quantity	10 pcs
Weight per carton in Kg	21.5 Kg

LIGNUM RETAIL SERIES LED SPOT FLOOD



LIGNUM RETAIL SERIES LED SPOT FLOOD

LUMINOUS INTENSITY DISTRIBUTION DIAGRAM



C0 PLANE ISOLUX DIAGRAM (UNIT:lx)

