

LIGNUM RETAIL SERIES

LED SPOT CAMBER



مباہز

LIGNUM RETAIL SERIES LED SPOT CAMBER



The amazing CAMBER spot light is a ceiling mounted 2-axis spot light.

It is implemented in those retail outlets/office environments where exact color representation and a very bright and vivid product presentation is of great importance. Customers will be attracted to your merchandise and revenues will rise. It is extremely easy to install in (suspended) ceilings. The 12 degrees narrow beam is easy to change by changing the optional reflector in 24 or 40 degrees. It's also adjustable over two axis.



- Vivid and Bright colors
- Adjustable over 2 axis
- Energy efficient
- Maintenance free
- Very long 40.000 hours lifetime
- Available in different colors
- Comfortable low glare
- Suspended ceiling mounted
- HEP LED driver with high Power factor
- Multi current driver selection: 20W, 25W, 28W
- COB LED made in the U.S.A
- 5 years warranty

LIGNUM RETAIL SERIES LED SPOT CAMBER

PRODUCT INFORMATION

Part Number	JB-LG7-3-28-80 28W 3000K
-------------	-----------------------------

GENERAL CHARACTERISTICS

Case Material	Die-casting Aluminium Alloy
Optics Material	
Intensity Degradation 90% @ 25°C	10,000 hrs
Intensity Degradation 75% @ 25°C	40,000 hrs
Operation Temperature	-20% - +40°C
Installation	Recessed ceiling mounted
Colours	White (W), Black (B), Grey (G), Aluminum (Al)

PHOTOMETRIC CHARACTERISTICS

Total Flux	2800
Nominal Optical Efficiency	102 lm/W
Color Temperature for all 3 models	3000K-3200K,
Color Rendering Index (CRI)	80
Viewing Angle	12, 24, 40

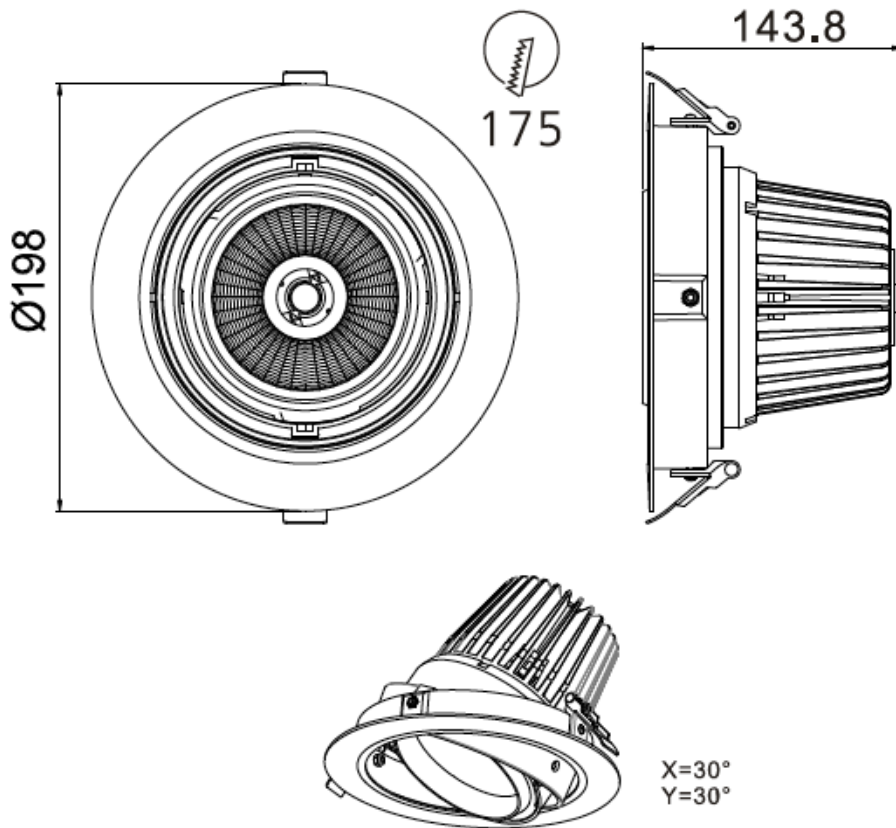
ELECTRICAL CHARACTERISTICS

Input Voltage	90-265VAC / 50-60Hz
Power Consumption	28W can be set to 25W or 20W
Power Factor	0,95
Dimmable optional (5%-100%)	Yes

SHIPMENT DIMENSIONS

Carton Dimensions (LxWxH in cm) single product	210x210x190mm	1.2KG product weight	1.6KG gross weight
Packing Quantity	8 pcs		
Carton Dimensions (LxWxH in cm) export carton 8 pieces	450x450x410mm	14 KG	

LIGNUM RETAIL SERIES LED SPOT CAMBER



● White+Black