

LIGNUM RETAIL SERIES

LED SPOT PEAK



مباز



The amazing PEAK spot light is one of the most versatile spots available.

It is implemented in those retail outlets where exact color representation and a very bright and vivid product presentation is of great importance. Customers will be attracted to your merchandise and revenues will rise. The 12 degrees narrow beam allows you to exactly pinpoint the merchandise that you want to highlight. It is extremely easy to change the narrow beam for wider versions by instant on the spot exchange of the reflector.



- Vivid and Bright colors
- Adjustable beam
- Energy efficient
- Maintenance free
- Very long 40.000 hours lifetime
- Small housing in different colors
- Comfortable low glare
- 3 phase Unipro track adapter
- HEP Multi Current Driver (20W-25W-28W)
- Cree COB LED made in the U.S.A
- 5 years warranty
- Optional dimmable
- Reflector exchangeable

LIGNUM RETAIL SERIES LED SPOT PEAK



PRODUCT INFORMATION

Part Number	JB-LG1-3-28-80 28W 3000K
-------------	-----------------------------

GENERAL CHARACTERISTICS

Case Material	Die-casting Aluminium Alloy
Optics Material	Reflector and lens
Intensity Degradation 90% @ 25°C	10,000 hrs
Intensity Degradation 75% @ 25°C	40,000 hrs
Operation Temperature	-30% - +50°C
Installation	Track mounted
Colours	White (W), Black (B), Grey (G)

PHOTOMETRIC CHARACTERISTICS

Total Flux	2426
Nominal Optical Efficiency	87 lm/W
Color Temperature for all 3 models	3000K-3200K,
Color Rendering Index (CRI)	80 optional: CRI 90
Viewing Angle	12, 24, 40

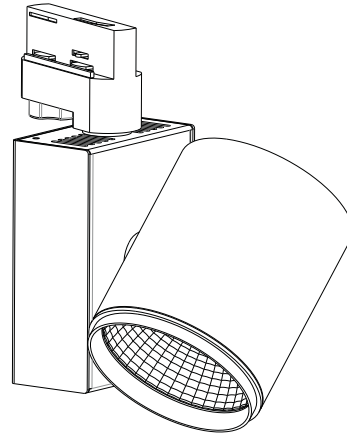
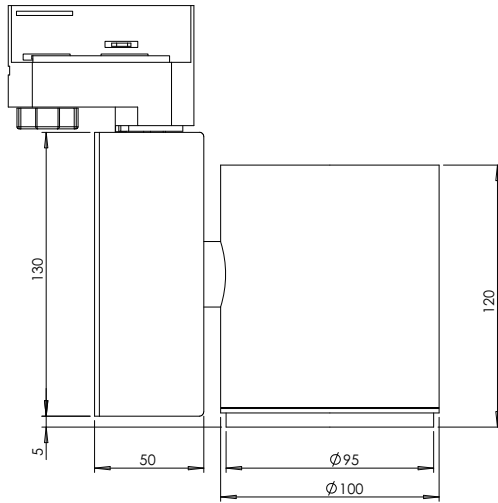
ELECTRICAL CHARACTERISTICS

Input Voltage	90-265VAC / 50-60Hz
Power Consumption (Dipswitch Selectable)	20-25-28W
Power Factor	0,95
Dimmable optional (5%-100%)	Yes

SHIPMENT DIMENSIONS

Carton Dimensions (LxWxH in cm)	68 x 36 x 44 cm
Packing Quantity	20 pcs
Weight per carton in Kg	29,1 Kg

LIGNUM RETAIL SERIES LED SPOT PEAK



Optional reflectors available:

12 degrees



24 degrees



40 degrees

