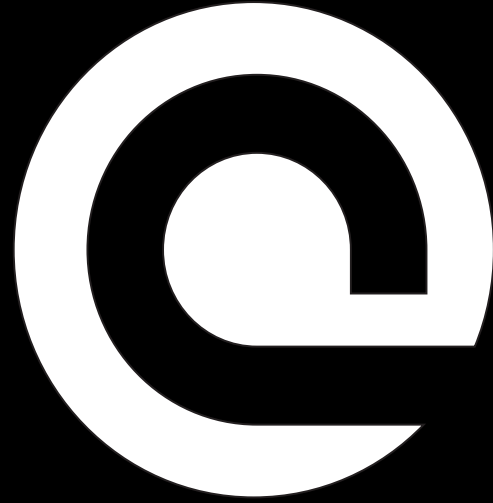


Outdoor Lighting Series
JWL 75



عبارت



LED Wall Lamp
JWL75 Series



Introduction

JWL75 is an ultra-thin design which looks like a power bank. It adopted SMD source in both ends with PC lens, wall-washing design for optic effect, so it can do higher and further lighting. For material part, it adopted ADC12 Aluminium which offers a great heat dissipation. Besides, it is an up and down lighting design which can achieve a better atmosphere. IP65 waterproof will suit to a wider application area.

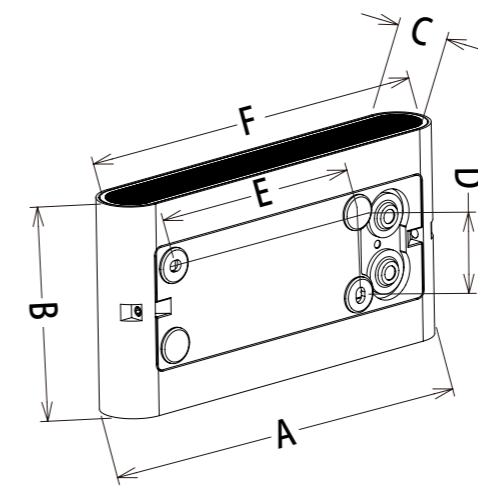
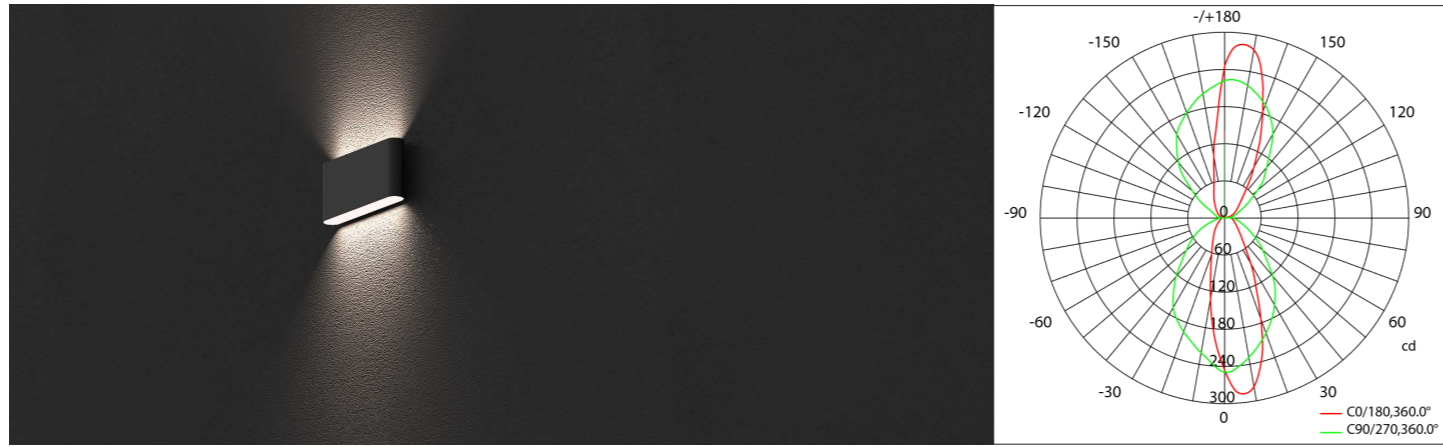
Features

- Ultra-thin with only 30.5mm thickness.
- Up & down lighting design.
- Wall-washer design with polarized lens 8 degree.
- IP65 waterproof.
- Interchangeable CCT(3000K+4000K+5700K)with slide switch.
- Internal flicker free driver.

Application Areas

It is designed for indoor and outdoor lighting applications hotel, park, and corridors etc.





Technical Data Sheet

Code No.	JWL75-6W	JWL75-6W-C3	JWL75-10W	JWL75-10W-C3
Dimension(mm)	135*90*30.5		175*90*30.5	
Cutout (mm)	-			
Watt(W)	6W		10W	
Rated Input Voltage(V)	AC220-240V			
Input Voltage(V)	AC230V			
LED Module Input	-			
Light Source	SMD2835			
SDCM	<6			
CCT(K)	3000K/4000K/5000K/5700K		3000K/4000K/5700K	
CCT Selection DIP Switch	YES			
Luminous Flux (lm) ±5%	Non-DIM	1-CCT	530-670	940-1050
		DIM	-	-
	Non-DIM	3-CCT	540-680	950-1060
		DIM	-	-
CRI	80			
Beam Angle (°)	29° x77° x8°			
UGR	-			
LED Driver	Built-in			
Dimming Option	NO			
Sensor	NO			
Emergency Kits	NO			
Electrical Class	Class I			
Ingress Protection (IP Rating)	IP65			
Impact Resistance (IK Rating)	IK08			
Product Finishing(Base)	White RAL 9016/Black RAL 9005			
Materials of Optics	PC			
Materials of Housing	Aluminum ADC12			
Lifetime (hr)	L 70B50 50000hr			
Glow wire test (°C)	750°C			
Operating Temp. (°C)	-20°C ~45°C			
Storage Temp. (°C)	-20°C ~65°C			
Installation	Wall mount			

Measurement

Code	Dimension(mm)					Size(mm)	Product Weight (Kg)		Package weight (Kg)		Carton Size(cm)	Qty/CTN	20GP (pcs)	40HQ (pcs)
	A	B	C	D	E		N.W/PC	G.W/PC	N.W/CTN	G.W/CTN				
JWL75-6W	135	90	30.5	36	66.1	135*90*30.5	0.47	0.62	11.2	12.4	39*33.5*20	18PCS	19620	47970
JWL75-10W	175	90	30.5	34.5	101.5	175*90*30.5	0.57	0.72	13	14.2	41.5*39*20	18PCS	14202	35640

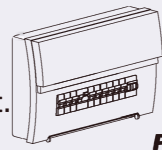
Driver Datasheet (Non-dimmable)

		Total load wattage	6W	10W
Output	Output Voltage range		DC:30-40V	DC:25-35V
	Rated output current		145mA	275mA
	Line Regulation		±5%	
	Setup, Rise Time		≤0.5S	
	Flickering Index		<3%(NO RISK)	
Input	Input Voltage		AC220-240V	
	Rated Input Voltage(V)		AC230V	
	Frequency		50/60Hz	
	Input Current		0.038A	0.055A
	Rated Input Current		0.033A	0.048A
	Power Factor		0.8 @230V	
	THD		-	
	Efficiency		82%@230V	
Protection	No load wattage		<0.5W	
	Short circuit protection		Pass	
	Over voltage protection		Pass	
Safety & EMC	Over temperature protection		Pass	
	Withstand voltage		I/P-O/P:3.75KVac, <5mA 60S	
	Isolation Resistance		I/P-O/P: 500VDC, ≥100M Ω	
	Surge		IEC/EN61000-4-5(P<25W; L-N:500V)	
	EMC Emission		EN55015, EN61000-3-2	
EMC Immunity		EN61000-4-2,3,4,5,6,8,11; EN61547		

Installation Instruction

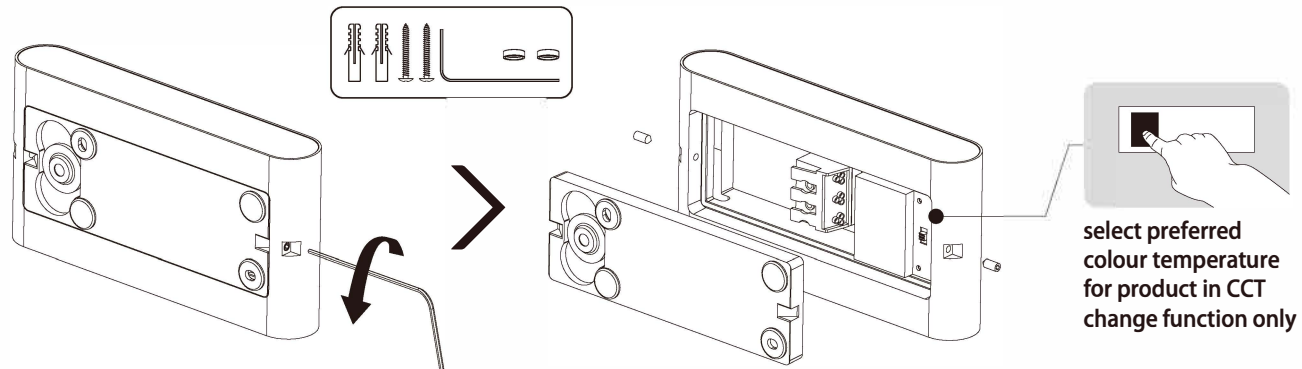
WARNING

1. Switch off before installation.
2. Switch on only after complete installation and examination of the circuit.
3. Professional electrician for installation and maintenance only.

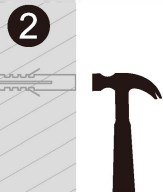
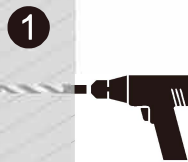
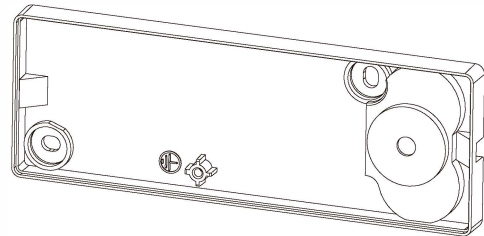


Turn Off
Power Supply

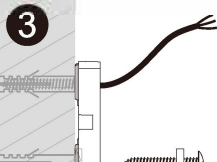
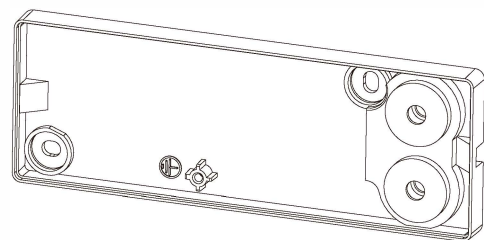
Wall mounted installation



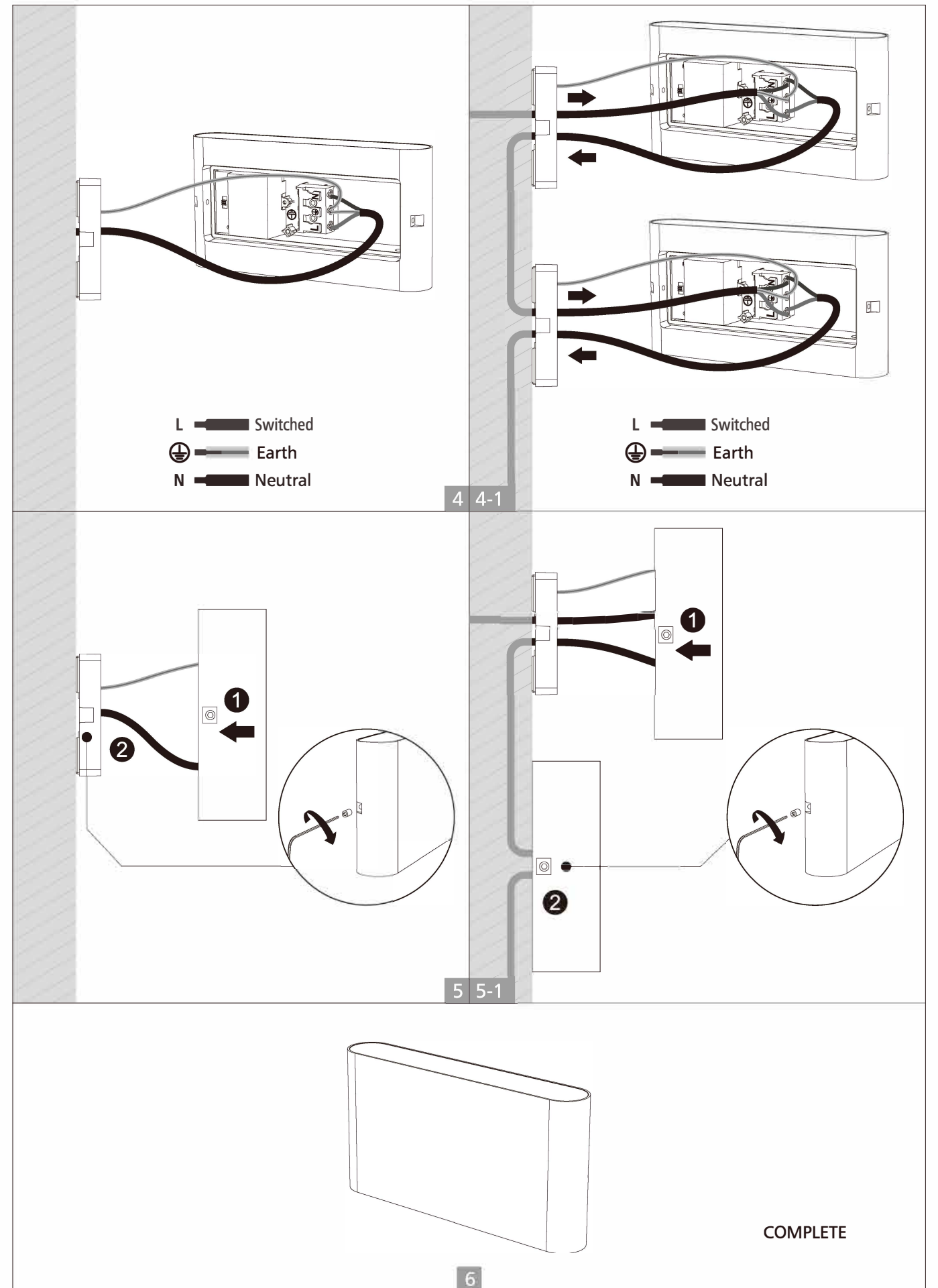
Mains Cable entry (1X)



Mains Cable entries (2X)



2 3





© 2019 Jibe Lighting - all rights reserved

Jibe reserves the right to alter material, dimensions and characteristics without prior notice.

Read installation instructions carefully. Technical information on the installation instruction has precedence over the information in the brochure.

Our general terms and conditions shall apply notwithstanding any stipulation to the contrary to all the orders and agreements with Jibe.

You can obtain a copy of these conditions on demand.

For latest information and specifications of the full product range visit www.jibe.lighting

JIBE LIGHTING — HEADQUARTERS
Hogebrinkerweg 14V - 3871 KN Hoevelaken
Netherlands Tel: +31 (0)33 844 7111
info@jibe.lighting - www.jibe.lighting