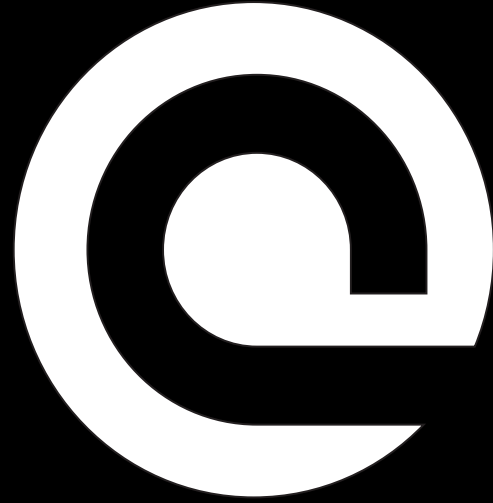


Outdoor Lighting Series  
JWL 73



عبارت



LED Wall Lamp  
JWL73 Series



## Introduction

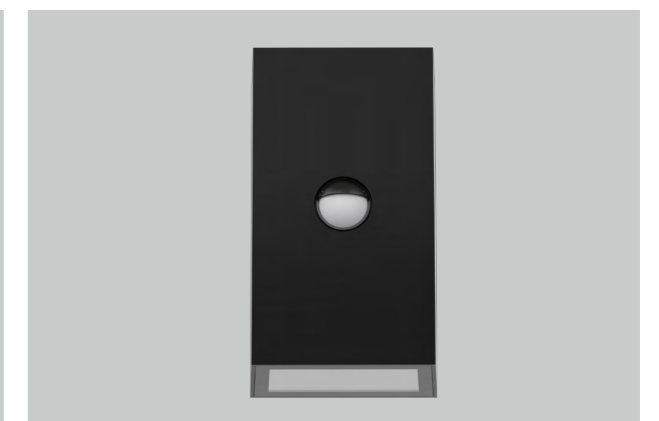
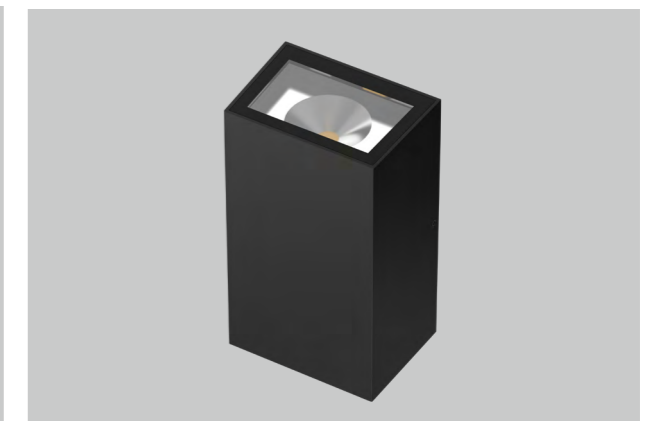
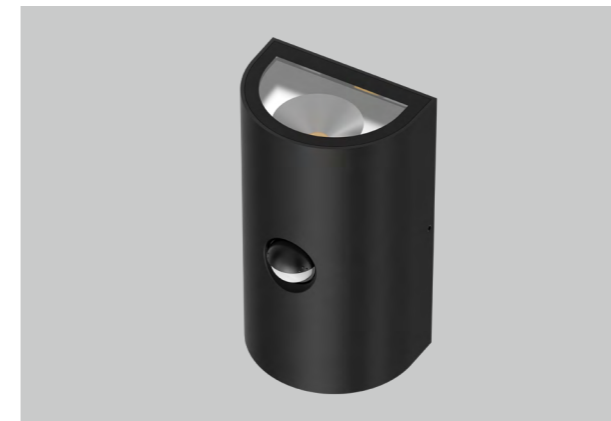
This wall lamp has semi-circle and square shape options. It adopts COB light source, PC reflector and high transmittance tempered glass lead a uniform light output. ADC12 aluminum lamp body provides a great thermal management. IP65 waterproof for both indoor and outdoor use. The male and female paired plug-in wiring method is used inside, which is convenient for disassemble and assembly.

## Features

- Two shapes options: JWL73A is semi-circle, WL73B is square.
- IP65 Waterproof.
- Adjustable PIR sensor.
- Internal flicker free driver.
- Four decorative accessories: Wall washer angle 45°/60°/90° and three separated light beam +20° 45° +20°.

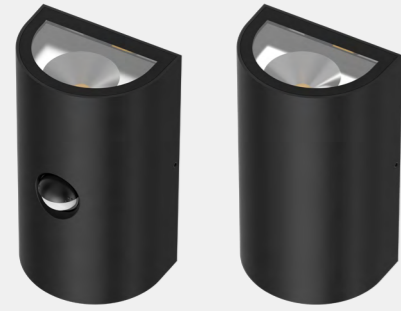
## Application Areas

It is designed for both indoor and outdoor lighting applications. It is also widely used for public areas, such as garden, corridors, yard etc.

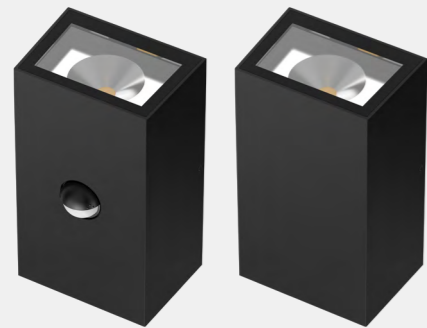
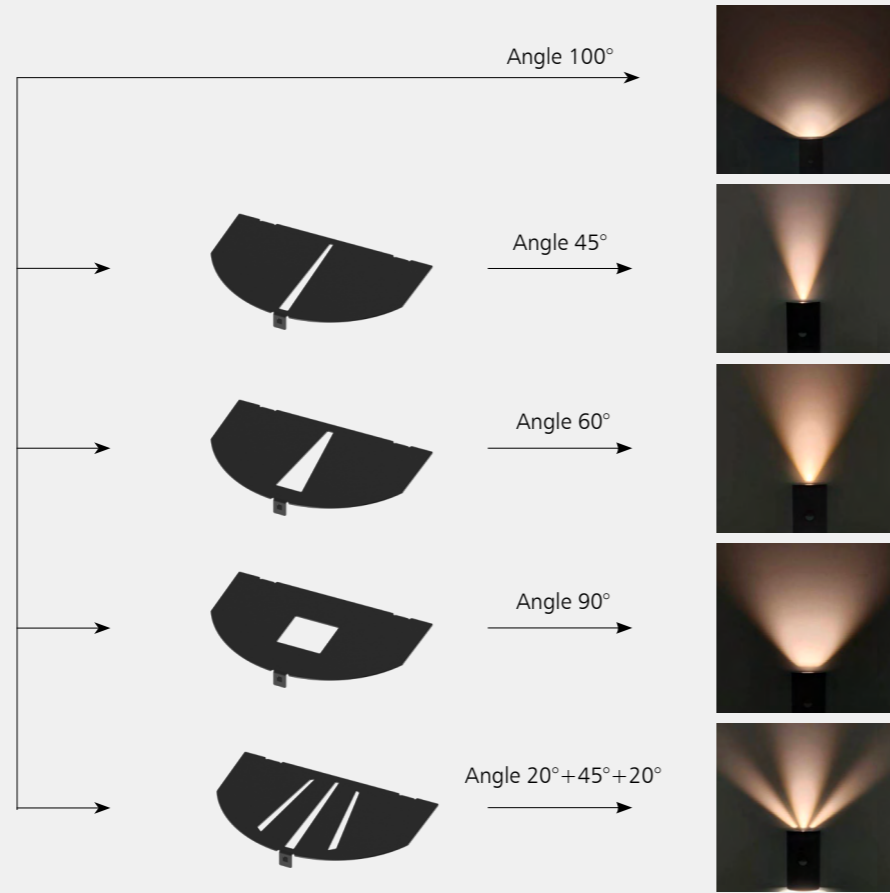




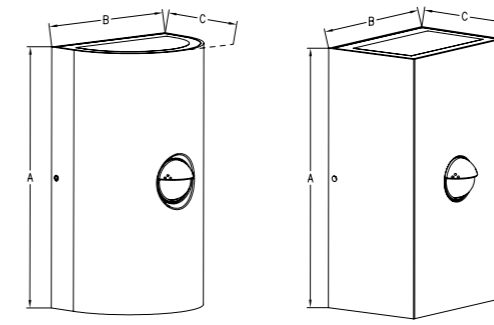
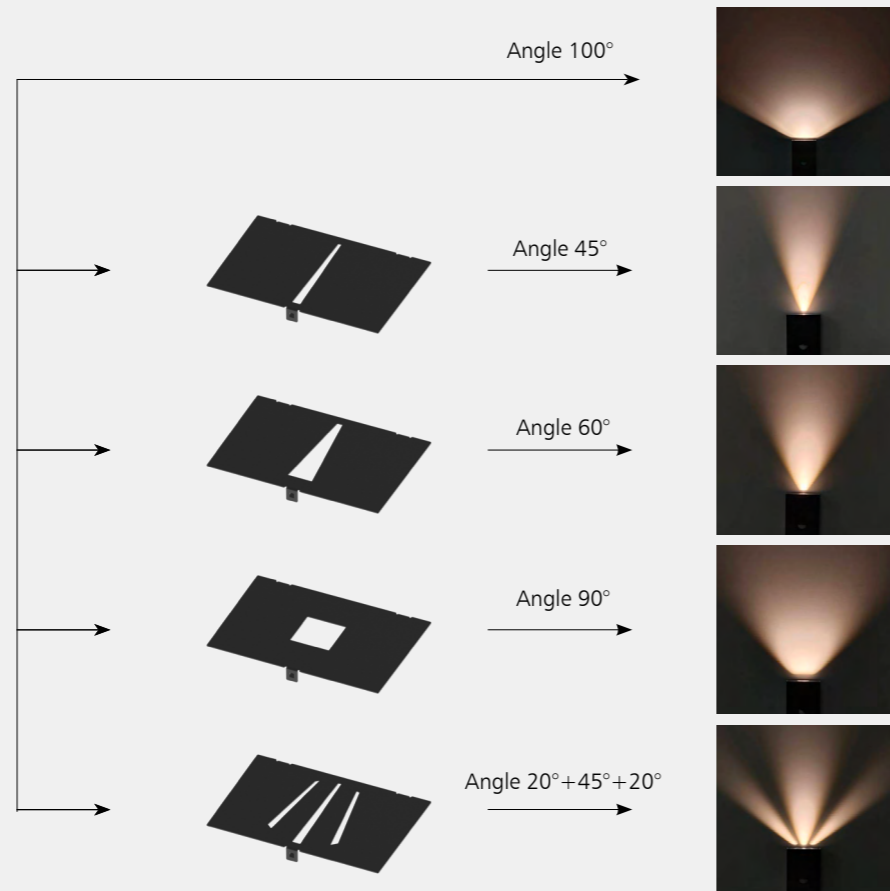
## Accessory installation



JWL73A



JWL73B



## Measurement

Code	Dimension(mm)			Size(mm)	Product Weight (Kg)		Package weight (Kg)		Carton Size(cm)	Qty/CTN	20GP (pcs)	40HQ (pcs)
	A	B	C		N.W/PC	G.W/PC	N.W/CTN	G.W/CTN				
JWL73A-4.9W	165	95	67	165*95*67	0.65	0.71	7.8	9	40*31.5*21.5	12	12672	30684
JWL73A-4.9W-S1					0.68	0.74	8.16	9.4				
JWL73A-8W					0.67	0.73	8.04	9.3				
JWL73A-8W-S1					0.7	0.76	8.4	9.6				
JWL73A-10W					0.62	0.68	7.44	8.7				
JWL73A-10W-S1					0.65	0.71	7.8	9				
JWL73A-16W					0.64	0.7	7.68	8.9				
JWL73A-16W-S1					0.67	0.73	8.04	9.3				
JWL73B-4.9W					0.77	0.83	9.24	10.5				
JWL73B-4.9W-S1					0.81	0.87	9.72	11				
JWL73B-8W					0.79	0.85	9.48	10.7				
JWL73B-8W-S1					0.83	0.89	9.96	11.2				
JWL73B-10W					0.73	0.79	8.76	10				
JWL73B-10W-S1					0.77	0.83	9.24	10.5				
JWL73B-16W					0.75	0.81	9	10.2				
JWL73B-16W-S1					0.79	0.85	9.48	10.7				

## Technical Data Sheet

Code No.	JWL73A-4.9W	JWL73B-4.9W	JWL73A-8W	JWL73B-8W	JWL73A-10W	JWL73B-10W	JWL73A-16W	JWL73B-16W
Dimension(mm)	165*95*67							
Cutout (mm)	-							
Watt(W)	4.9W		8W		2*5W		2*8W	
Rated Input Voltage(V)	AC230V							
Input Voltage(V)	AC220-240V							
LED Module Input	-							
Light Source	COB							
SDCM	<6							
CCT(K)	1-CCT: 2700/3000/4000K/5000K							
CCT Selection DIP Switch	-							
Luminous Flux (lm) ±5%	Non-DIM	1-CCT	300~450	600~750	700~1000	1250~1600		
			-					
Luminous Flux (lm) ±5%	DIM	3-CCT	-					
			-					
CRI	>80							
Beam Angle (°)	100°							
UGR	-							
LED Driver	Built-in							
Dimming Option	NO							
Sensor	PIR+Daylight sensor							
Emergency Kits	NO							
Electrical Class	Class I							
Ingress Protection (IP Rating)	IP65							
Impact Resistance (IK Rating)	IK06							
Product Finishing(Base)	Black RAL9005/White RAL 9016/Grey RAL7016							
Materials of Optics	PC							
Materials of Housing	Aluminum Die-casting							
Lifetime (hr)	50000hr							
Glow wire test (°C)	750°C							
Operating Temp. (°C)	-20°C ~40°C							
Storage Temp. (°C)	-20°C ~65°C							
Installation	Wall mount							

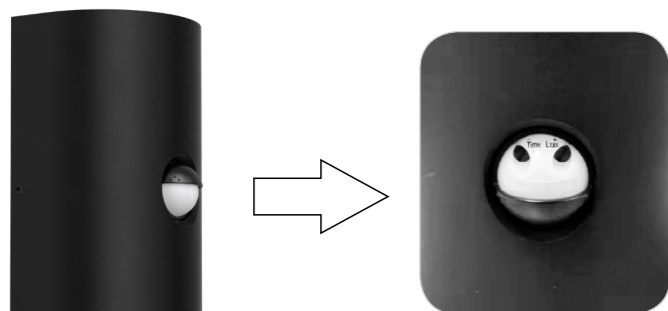
## Driver Datasheet (Non-dimmable)

Total load wattage		4.9W	8W	2*5W	2*8W
Output	Output Voltage range	DC27-40V		DC:30-40V	
	Rated output current	100mA	200mA	250mA	420mA
	Line Regulation	±5%			
	Setup, Rise Time	<0.5s @230V			
	Flickering Index	3% (NO RISK)	NO RISK		
Input	Input Voltage	AC220-240V			
	Rated Input Voltage(V)	AC230V			
	Frequency	50/60Hz			
	Input Current	≤0.06A	≤0.05A	≤0.06A	≤0.09A
	Rated Input Current	≤0.05A	≤0.04A	≤0.05A	≤0.08A
	Power Factor	≥0.4	≥0.8	≥0.9	
	THD	-	<20% @230V		
	Efficiency	≥70%	≥82%		
	No load wattage	<0.8W @230V	<0.9W @230V		
Protection	Short circuit protection	Pass			
	Over voltage protection	Pass			
	Over temperature protection	Pass			
Safety & EMC	Withstand voltage	I/P-FG:1.5KVac, <5mA 60S			
	Isolation Resistance	500VDC, ≥100M Ω			
	Surge	IEC/EN61000-4-5( P<25W; L-N:500V, L/N-PE:1KV)			
	EMC Emission	EN55015, EN61000-3-2			
	EMC Immunity	EN61000-4-2,3,4,5,6,8,11; EN61547			

## Datasheet (Sensor)

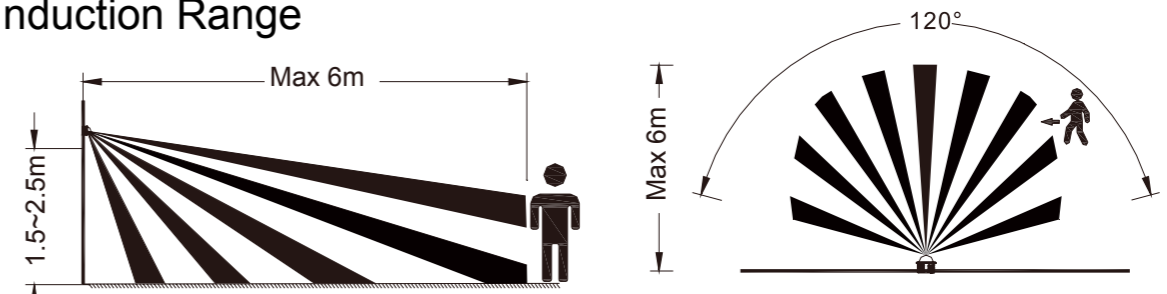
Sensor datasheet	
Operating voltage	AC220-240V
Sensor	PIR+Daylight sensor
Lux range	0~1000LX
Installation Height	1.5m-2.5m
Detection range	120°
Detection Distance	2-6m (25°C ) (adjustable)
Time delay	min: 5±3sec max: 12±2min
Operating Temperature	(-20~60°C )

## PIR sensor



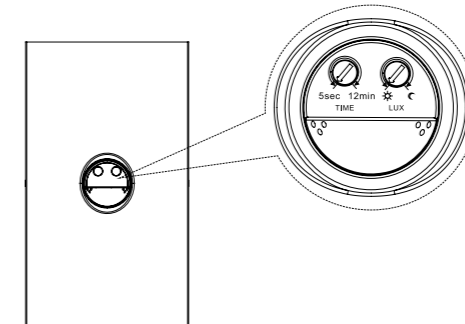
Factory setting:  
Minimum hold time, Night mode for sensor

## Induction Range



### Function

1. Time adjustable: The TIME adjustment controls how long the light will stay on after the motion has been detected. Turn the TIME control knob clockwise to increase (up to about 12 minutes) how long the lights stay on or anti-clockwise to decrease (down to about 5 seconds) the time delay



2. Lux adjustment: The lux adjustment controls sensor mode under different setting. Turn the Lux control knob clockwise to ☀, it is daytime mode, the lamp can induct properly at both daytime and night. Turn the Lux control knob anti-clockwise to ☾, it is night mode, the lamp can induct properly only at night.
3. Please adjust the control knob according to the picture 1, if rotate too hard with 360 degree, the knob will be broken or cannot be adjusted normally.
4. Manual mode: When there has no need for induction setting, start manual mode, the lamp will operate without induction function for a long time, once there has induction demand, the lamp should be operated by hand and start automatic mode. Manual mode function as below:
  - 4.1 Only the lamp can be operated properly can manual mode be started.
  - 4.2 Enter into manual mode: Turn off the lamp twice (OFF-ON-OFF-ON) within 0.5S~2S when the lamp operate properly, then the lamp will be operated without induction function for 5hours, after 5 hours, the lamp will change into induction mode automatically. If the lamp turns off automatically in 1~2 minutes, then it means failed enter, need try again.
  - 4.4 Exit manual mode: Turn off lamp twice (OFF-ON-OFF-ON) within 0.5S~2S when the lamp operate properly, then the lamp will be operated with induction function.

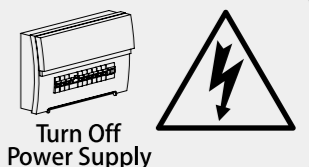
### Test

- Connect the power and the lamp, adjust Time control knob into 5 second position, adjust Lux control knob into daytime mode.
- Turn on the power, the lamp will turn off automatically after 35 sec warm-up.
- Within the induction area, if the sensor induct people movement, the lamp will turn on, if people keep motionless, the lamp will turn off automatically, if move again, then the lamp will also turn on again. (To keep a steady working status, the lamp will not working within 3 seconds after turn off, please wait 3 seconds for testing after the lamp turns off)
- Adjust Time and Lux control knob into needed position, then start working.

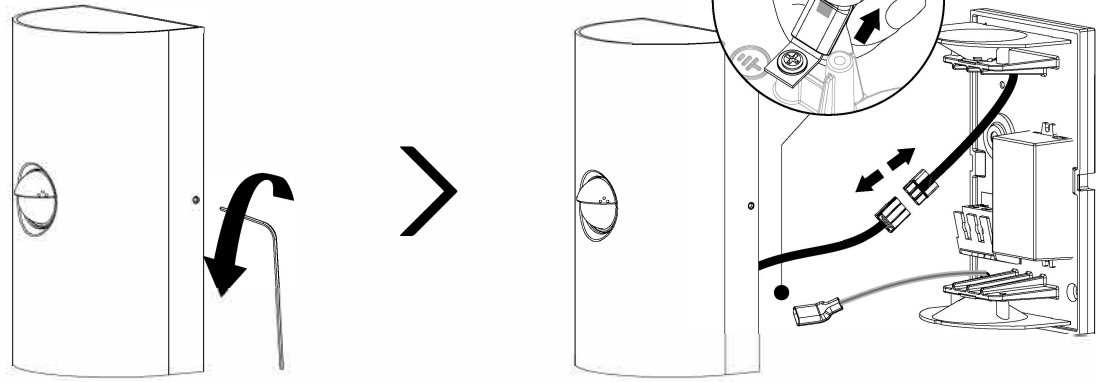
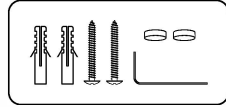
### Installation Procedure

#### WARNING ⚡

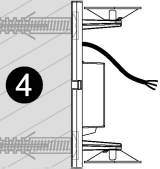
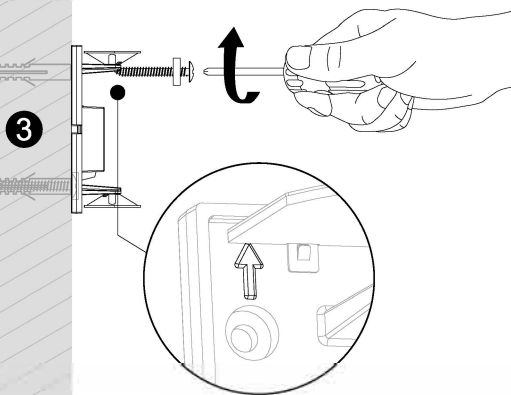
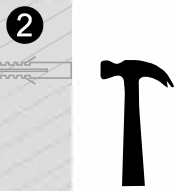
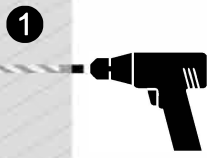
1. Switch off power supply before installation / maintenance.
2. Switch on only after complete installation and examination of the circuit.
3. Professional electrician for installation and maintenance only.



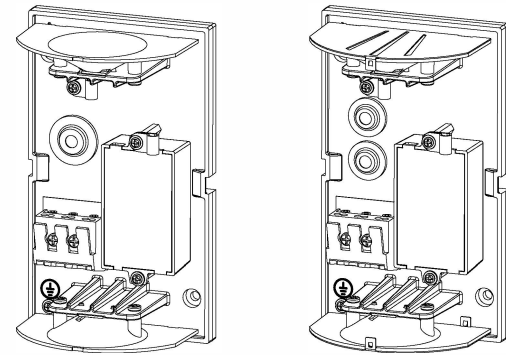
Wall mounted installation



1



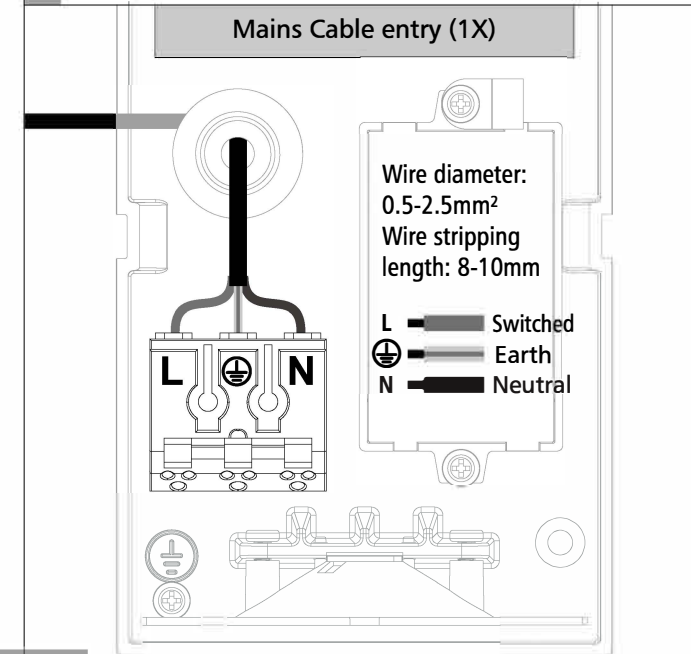
2 4-1



Mains Cable entry (1X)

Mains Cable entries (2X)

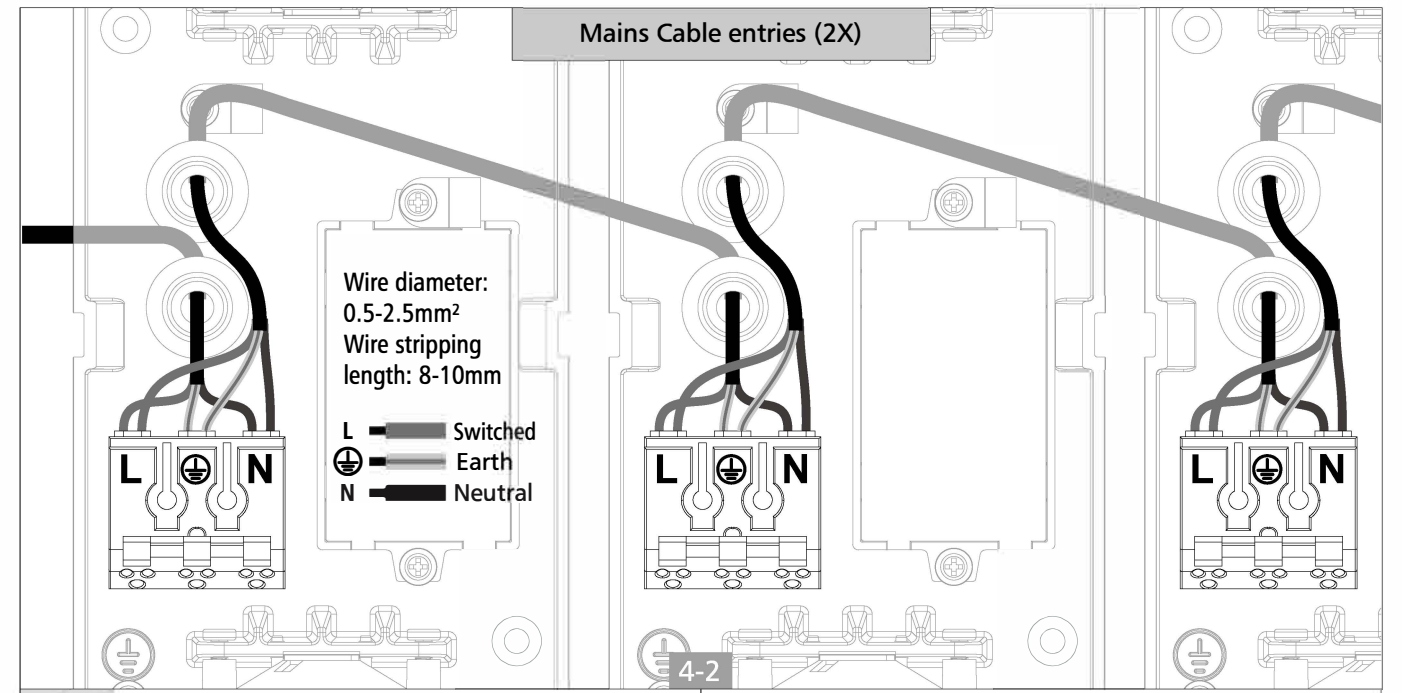
3



Mains Cable entry (1X)

Wire diameter:  
0.5-2.5mm<sup>2</sup>  
Wire stripping  
length: 8-10mm

L — Switched  
⊕ — Earth  
N — Neutral

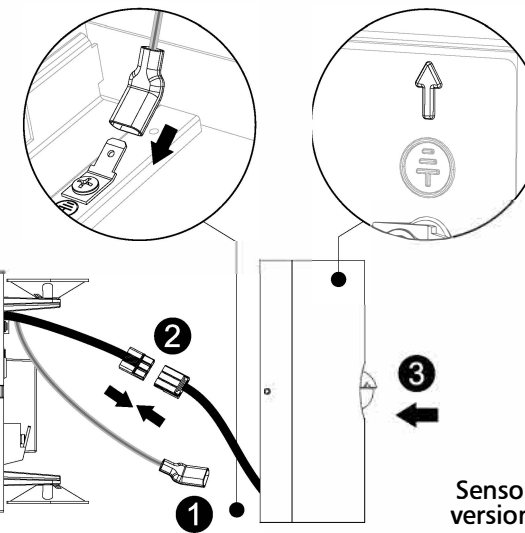


Mains Cable entries (2X)

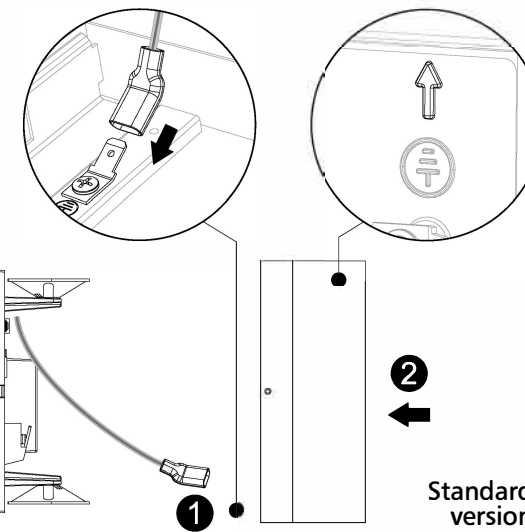
Wire diameter:  
0.5-2.5mm<sup>2</sup>  
Wire stripping  
length: 8-10mm

L — Switched  
⊕ — Earth  
N — Neutral

4-2



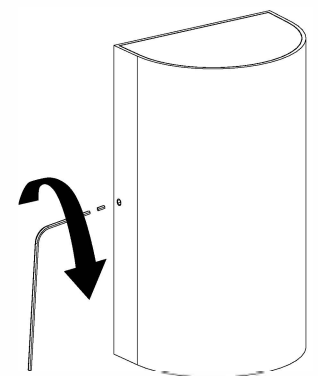
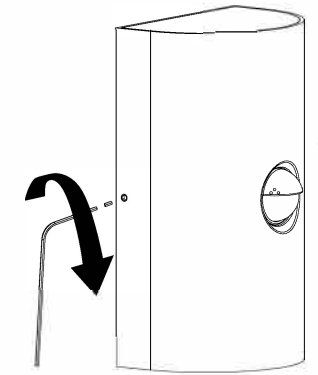
Sensor version

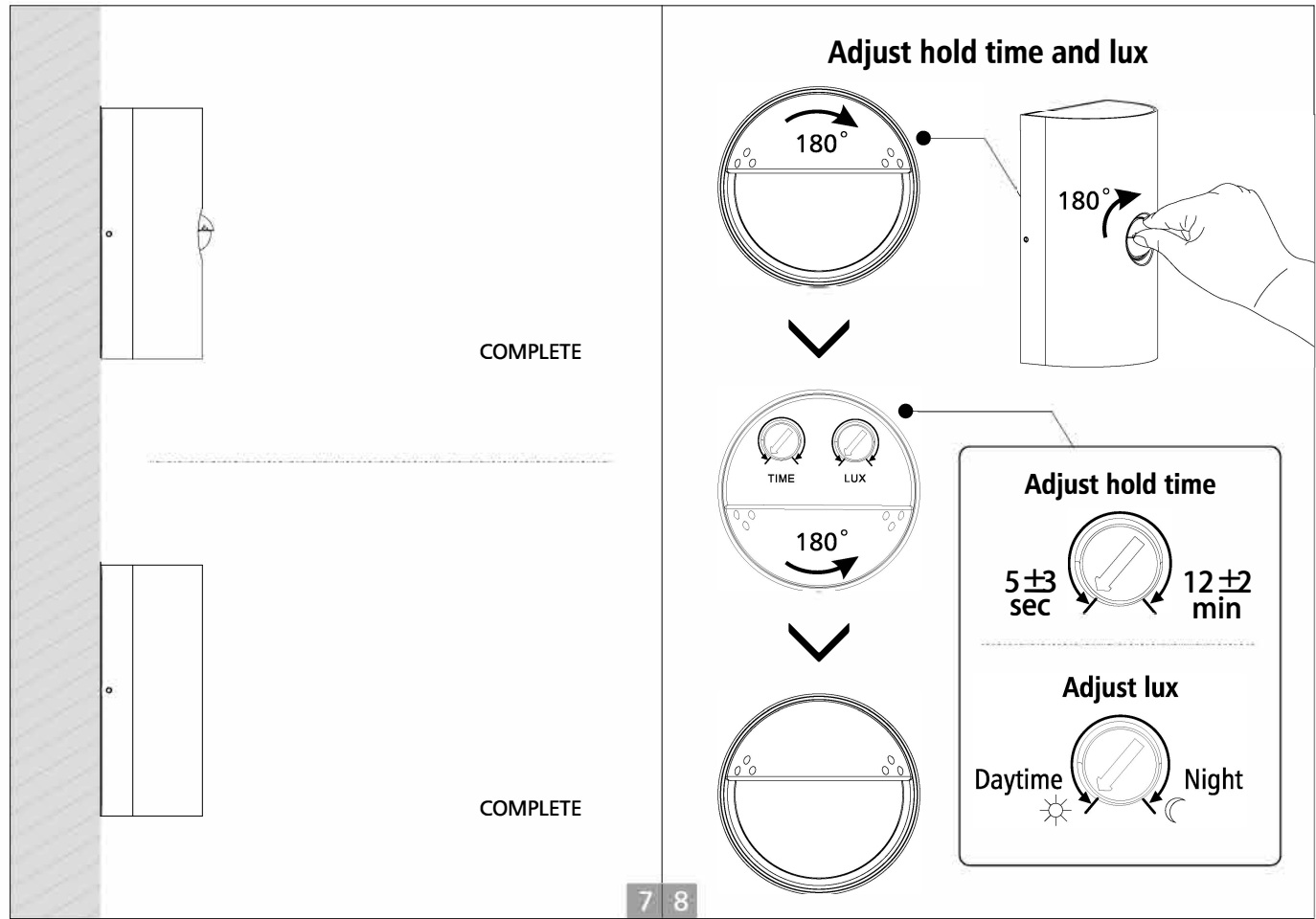


2

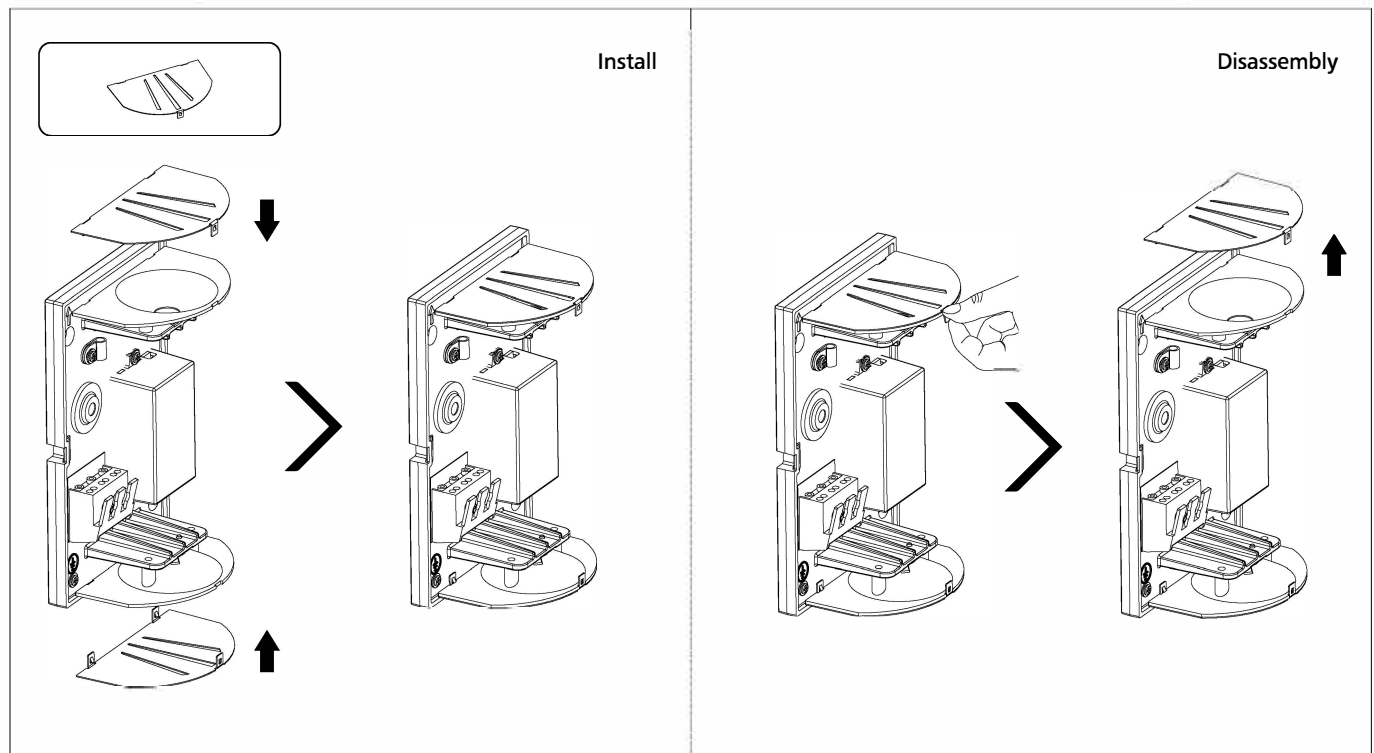
Standard version

5 6





■ Accessory installation





© 2019 Jibe Lighting - all rights reserved

Jibe reserves the right to alter material, dimensions and characteristics without prior notice.

Read installation instructions carefully. Technical information on the installation instruction has precedence over the information in the brochure.

Our general terms and conditions shall apply notwithstanding any stipulation to the contrary to all the orders and agreements with Jibe.

You can obtain a copy of these conditions on demand.

For latest information and specifications of the full product range visit [www.jibe.lighting](http://www.jibe.lighting)

JIBE LIGHTING — HEADQUARTERS  
Hogebrinkerweg 14V - 3871 KN Hoevelaken  
Netherlands Tel: +31 (0)33 844 7111  
[info@jibe.lighting](mailto:info@jibe.lighting) - [www.jibe.lighting](http://www.jibe.lighting)