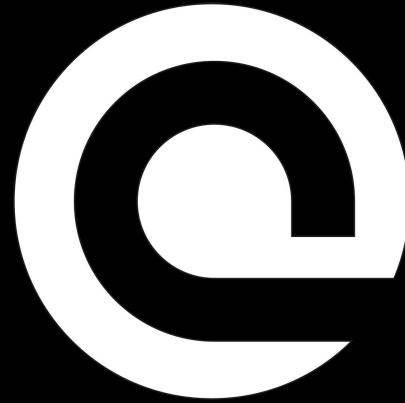
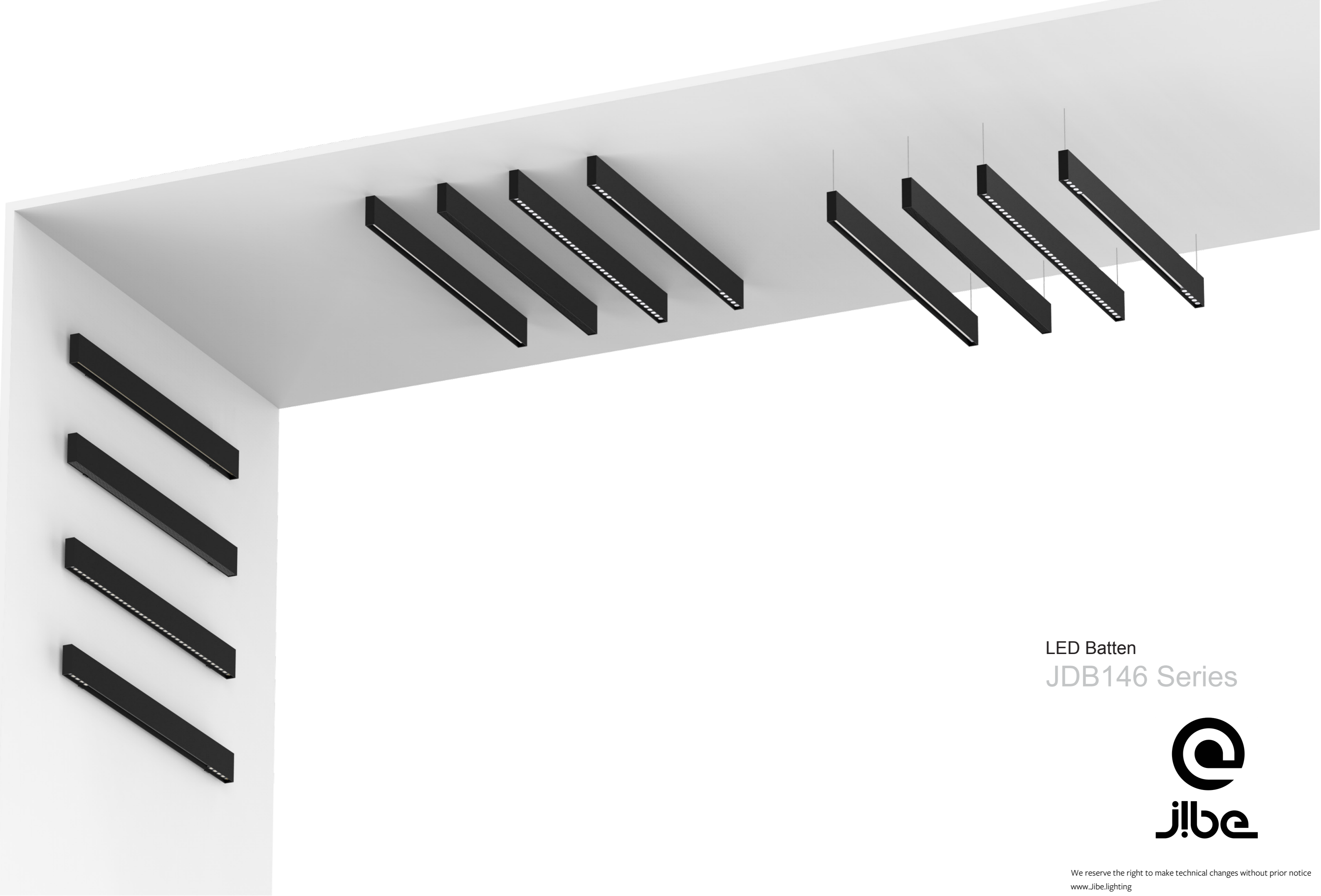


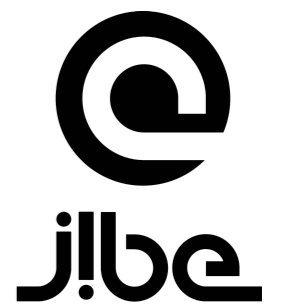
**LED Batten
JDL146 Series**



عبارت



LED Batten
JDB146 Series





Introduction

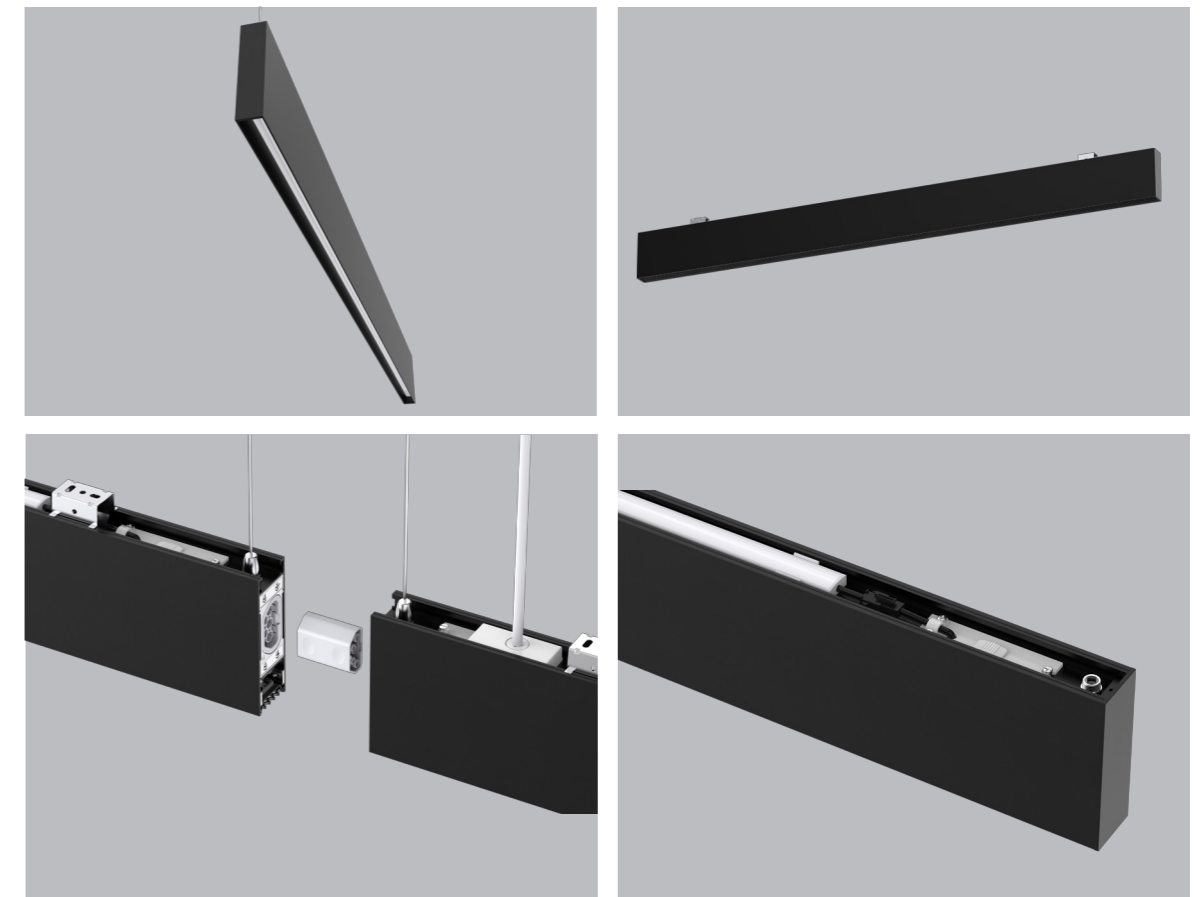
Constructed of durable and attractive aluminum, this fitting is more stylish than others. The system is a great design and adds great appeal to a space, dramatically improving the light levels. It adopts high lumen light source with different module DIY options, up&down lighting distribution design. Besides, for installation, the pluggable and magnetic seamless splicing design make it a quick install. AL6063 aluminum provides a great thermal management.

Features

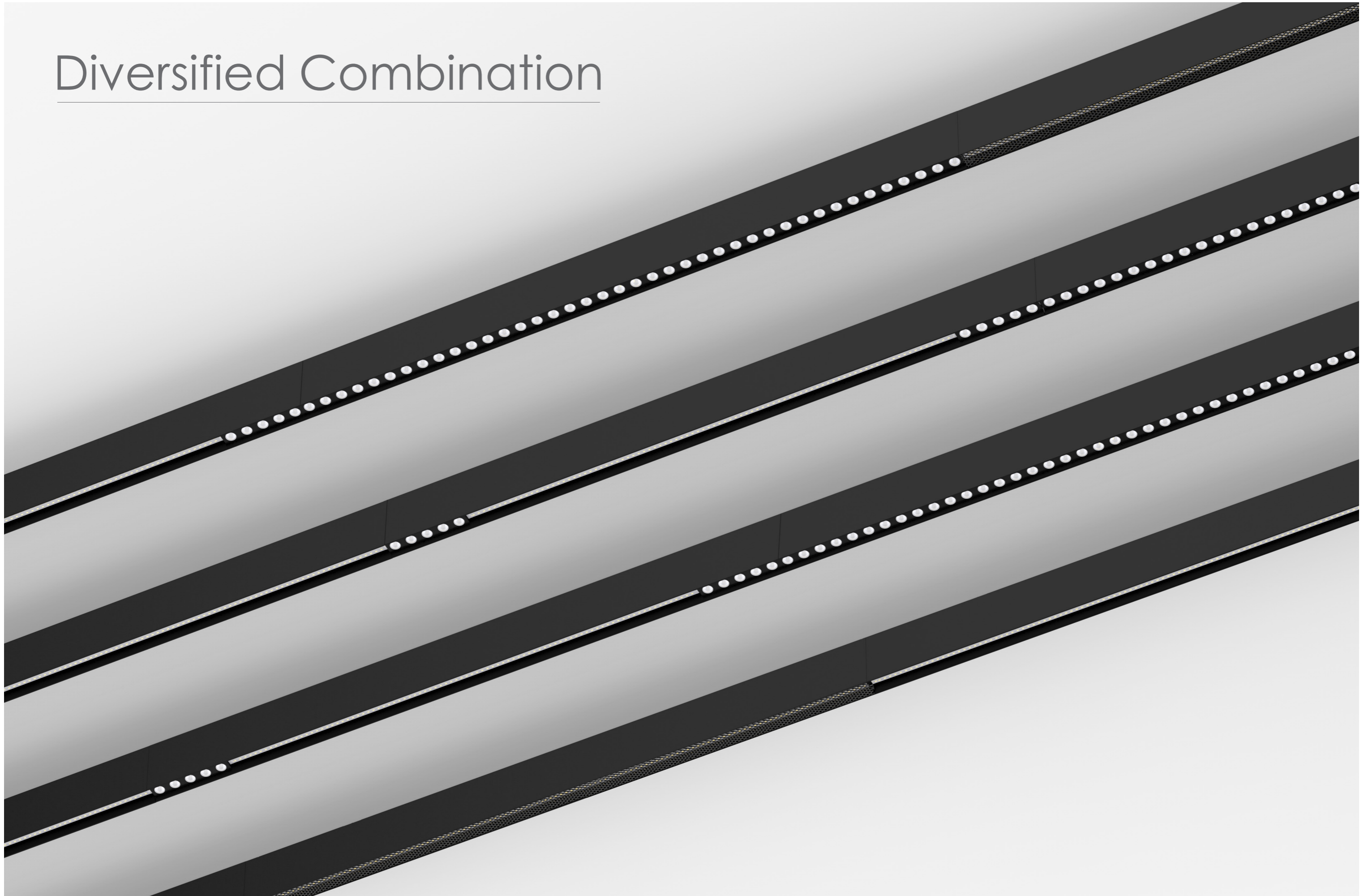
- Up & down lighting design, up 20% & down 80%.
- Pluggable and magnetic seamless splicing design.
- Interchangeable CCT(3000K+4000K) and up lighting control with the same slide switch.
- High lumen efficiency, 100lm/W and 120lm/W for option.
- DIY module design option: direct lighting module, honeycomb module, lens module, direct lighting + lens module.
- Flicker free driver with Non dim and DALI dim option.

Application Areas

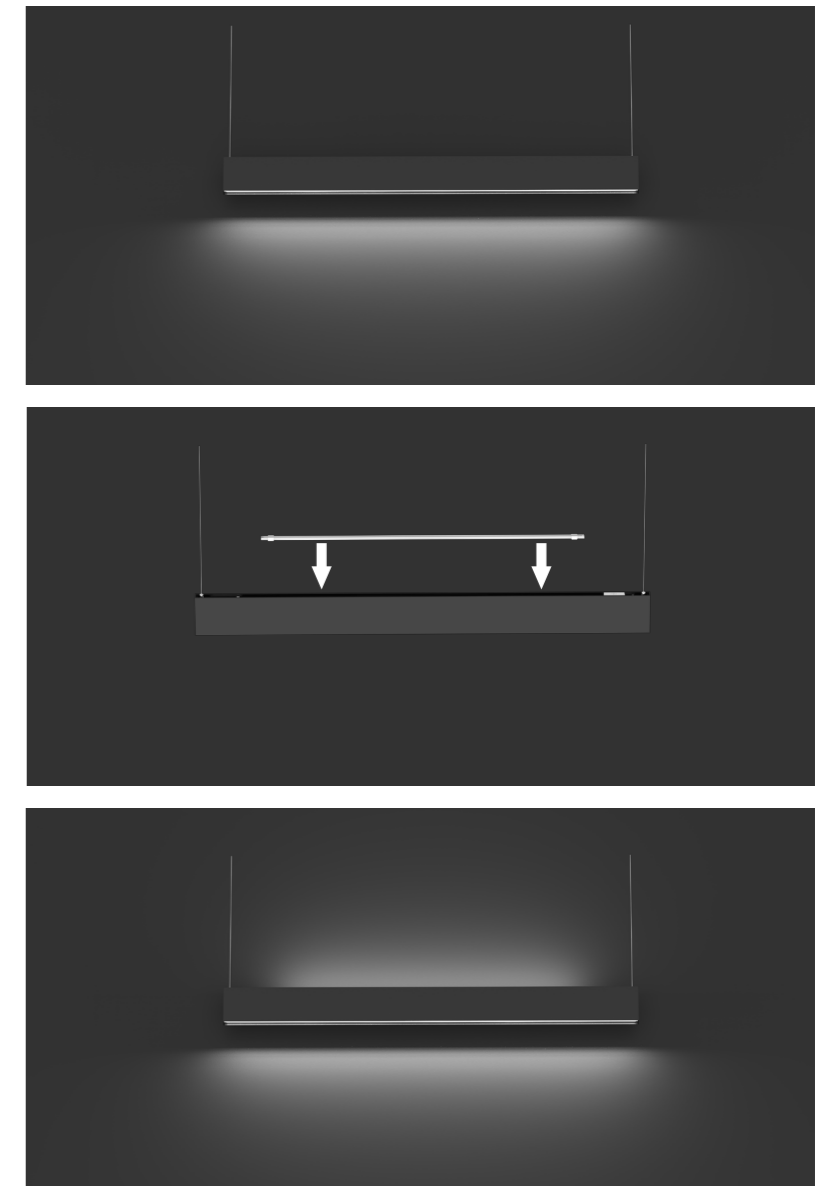
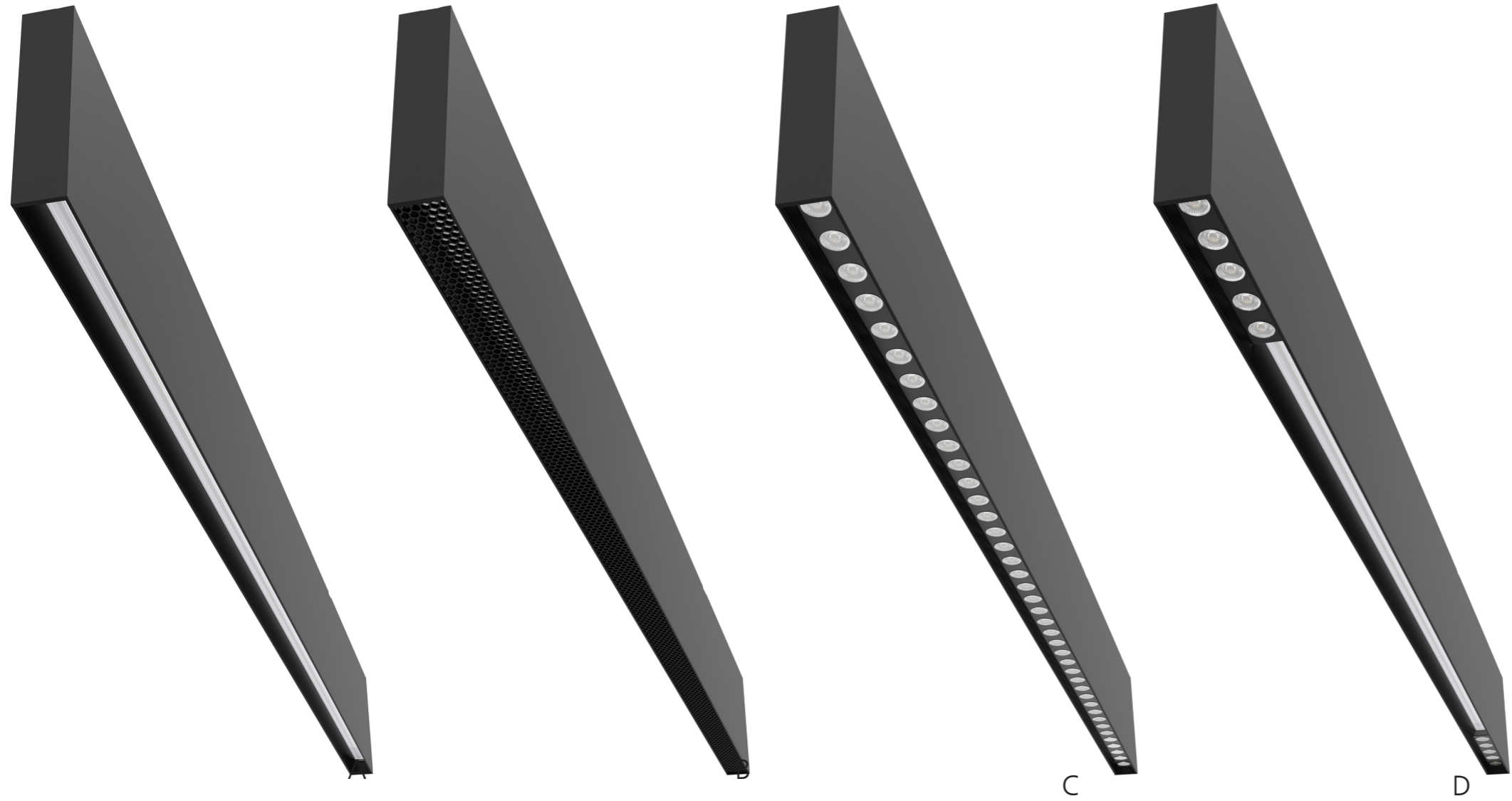
It is designed for general lighting applications in office, supermarket, shopping mall, restaurant, hotel, etc.



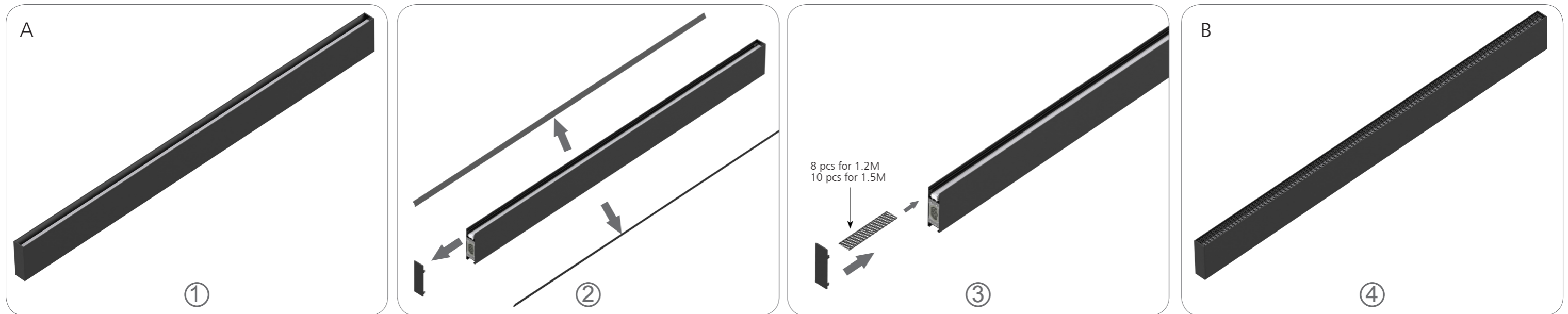
Diversified Combination

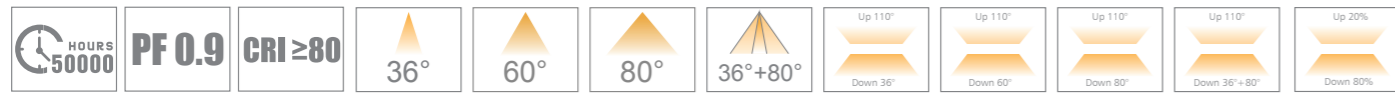


DIY LED module for UP light

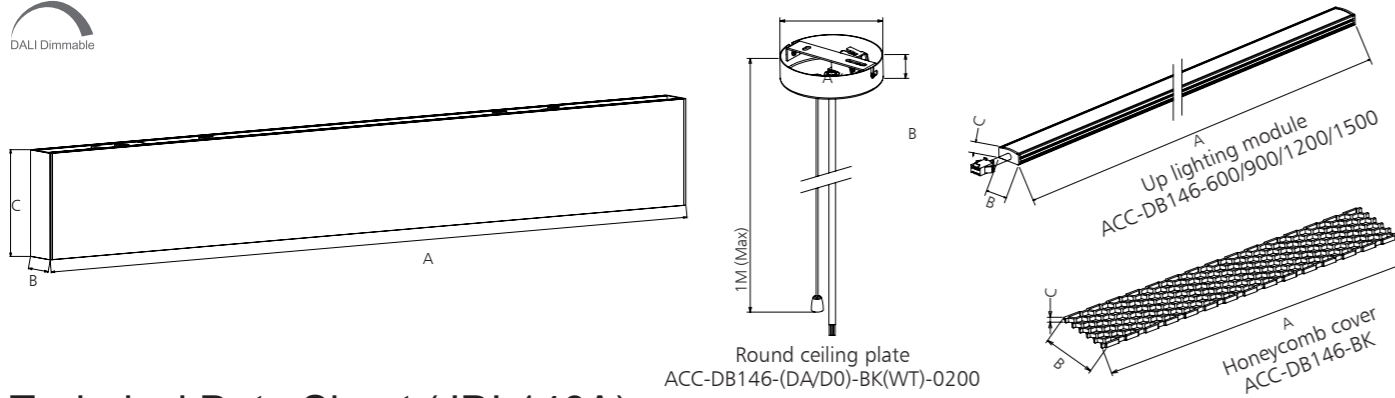


DIY (Convert JDL146A to B, only for splicing version)





DALI Dimmable



Technical Data Sheet (JDL146A)

Code No.	JDL146A-600-18W	JDL146A-900-25W	JDL146A-1200-38W	JDL146A-1500-50W							
Dimension(mm)	605*34*105										
Cutout (mm)	-										
Watt(W)	15W (Downward)	15W (Downward) +3W (Upward)	20W (Downward)	20W (Downward) +5W (Upward)							
Rated Input Voltage(V)	AC230V										
Input Voltage(V)	AC220-240V										
LED Module Input	-										
Light Source	SMD										
SDCM	SDCM<4 for whole lamp										
CCT(K)	1-CCT:3000K/4000K/5000K / 2-CCT:3000K+4000K										
CCT Selection DIP Switch	Yes										
Luminous Flux (lm) ±5% (Black color)	Non-DIM	1-CCT	Standard	1150-1650	1400-2000	1650-2200	2150-2700	2550-3300	3300-4150	3500-4350	4350-5400
			Premium	-				3000-4000	3800-4900	4000-5200	5100-6400
		DIM	Standard	-				2550-3300	3300-4150	3500-4350	4350-5400
			Premium	-				3000-4000	3800-4900	4000-5200	5100-6400
	DIM	2-CCT	Standard	1150-1650	1400-2000	1650-2200	2150-2700	2550-3300	3300-4150	3500-4350	4350-5400
			Premium	-				3000-4000	3800-4900	4000-5200	5100-6400
		DIM	Standard	-				2550-3300	3300-4150	3500-4350	4350-5400
			Premium	-				3000-4000	3800-4900	4000-5200	5100-6400
Remark: If with white color, the lumen will increase around 6%											
CRI	80										
Beam Angle (°)	80°	Up110° Down 80°	80°	Up110° Down 80°	80°	Up110° Down 80°	80°	Up110° Down 80°	80°	Up110° Down 80°	80°
UGR	-										
LED Driver	Built-in										
Dimming Option	-										
Sensor	-										
Emergency Kits	-										
Electrical Class	Class I										
Ingress Protection (IP Rating)	IP20										
Impact Resistance (IK Rating)	-										
Product Finishing(Base)	Black RAL9005, White RAL9016										
Materials of Optics	PMMA	PMMA+PC	PMMA	PMMA+PC	PMMA	PMMA+PC	PMMA	PMMA+PC	PMMA	PMMA+PC	PMMA
Materials of Housing	Aluminum										
Lifetime (hr)	50,000h										
Glow wire test (°C)	650°C										
Operating Temp. (°C)	-20°C ~45°C										
Storage Temp. (°C)	-20°C ~65°C										
Installation	Surface mount / Pendant / wall mount										

Measurement

Code	Dimension(mm)			Size(mm)	Product Weight (Kg)		Package weight(Kg)		Carton Size (cm)	Qty/CTN	20GP (pcs)	40HQ (pcs)
	A	B	C		N.W/PC	G.W/PC	N.W/CTN	G.W/CTN				
DB146A-600	605	34	105	605*34*105	1.40	1.61	8.40	10.30	67.5*19.5*29	6	4656	10800
DB146A-900	905	34	105	905*34*105	2.10	2.35	12.60	14.97	97.5*19.5*29	6	3024	7128
DB146A/B/C/D-1200	1205	34	105	1205*34*105	2.70	3.10	16.20	19.70	127.5*19.5*29	6	2352	5670
DB146A/B/C/D-1500	1505	34	105	1505*34*105	3.20	3.59	19.20	22.82	157.5*19.5*29	6	1824	4374
ACC-DB146-600	253	17.5	7	253*17.5*7	0.04	-	0.24	1.15	31.5*11.5*13	6	39420	89760
ACC-DB146-900	553	17.5	7	553*17.5*7	0.087	-	0.53	1.97	61.5*11.5*13	6	19764	45360
ACC-DB146-1200	853	17.5	7	853*17.5*7	0.135	-	0.81	2.78	91.5*11.5*13	6	13392	30480
ACC-DB146-1500	1153	17.5	7	1153*17.5*7	0.18	-	1.1	3.59	121.5*11.5*13	6	9288	22080
ACC-DB146-BK	149.8	31.5	2	149.8*31.5*2	0.004	-	2.96	6.20	32.5*22.5*19	800	1728000	3837600
ACC-DB146-(DA/D0)-BK(WT)-0200	Ø100	25	-	Ø100*25	0.28	0.31	1.12	1.35	26.5*13.5*14	4	23360	54432

Technical Data Sheet (JDL146B)

Code No.	JDL146B-1200-38W	JDL146B-1500-50W					
Dimension(mm)	1205*34*105						
Cutout (mm)	-						
Watt(W)	30W(Downward)	40W(Downward)					
Rated Input Voltage(V)	AC230V						
Input Voltage(V)	AC220-240V						
LED Module Input	-						
Light Source	SMD						
SDCM	SDCM<4 for whole lamp						
CCT(K)	1-CCT:3000K/4000K/5000K / 2-CCT:3000K+4000K						
CCT Selection DIP Switch	Yes						
Luminous Flux (lm) ±5%	Non-DIM	1-CCT	Standard	1150-1500	1700-2500	1550-2000	2300-3250
			Premium	1350-1800	2200-2850	1850-2400	3000-3700
		DIM	Standard	1150-1500	1700-2500	1550-2000	2300-3250
			Premium	1350-1800	2200-2850	1850-2400	3000-3700
	DIM	2-CCT	Standard	1150-1500	1700-2500	1550-2000	2300-3250
			Premium	1350-1800	2200-2850	1850-2400	3000-3700
		DIM	Standard	1150-1500	1700-2500	1550-2000	2300-3250
			Premium	1350-1800	2200-2850	1850-2400	3000-3700
CRI	80						
Beam Angle (°)	60°	Up110° / Down 60°	60°	Up110° / Down 60°			
UGR	UGR<22						
LED Driver	Built-in						
Dimming Option	DALI						
Sensor	-						
Emergency Kits	-						
Electrical Class	Class I						
Ingress Protection (IP Rating)	IP20						
Impact Resistance (IK Rating)	-						
Product Finishing(Base)	Black RAL9005, White RAL9016						
Materials of Optics	PMMA	PMMA+PC	PMMA	PMMA+PC	PMMA	PMMA+PC	
Materials of Housing	Aluminum						
Lifetime (hr)	50,000h						
Glow wire test (°C)	650°C						
Operating Temp. (°C)	-20°C ~45°C						
Storage Temp. (°C)	-20°C ~65°C						
Installation	Surface mount / Pendant / wall mount						

Technical Data Sheet (JDL146C)

Code No.		JDL146C-1200-38W		JDL146C-1500-50W			
Dimension(mm)		1205*34*105		1505*34*105			
Cutout (mm)		-		-			
Watt(W)		30W(Downward)	30W(Downward) +8W(Upward)	40W(Downward)	40W(Downward) +10W(Upward)		
Rated Input Voltage(V)		AC230V					
Input Voltage(V)		AC220-240V					
LED Module Input		-					
Light Source		SMD					
SDCM		SDCM<4 for whole lamp					
CCT(K)		1-CCT:3000K/4000K/5000K					
CCT Selection DIP Switch		NO					
Luminous Flux (lm) ±5%	Non-DIM	1-CCT	Standard	2700-3300	3450-4150	3650-4350	4600-5400
			Premium	3100-4000	4000-4900	4200-5200	5300-6400
	DIM	1-CCT	Standard	2700-3300	3450-4150	3650-4350	4600-5400
			Premium	3100-4000	4000-4900	4200-5200	5300-6400
CRI		80					
Beam Angle (°)		36°	Up110° / Down 36°	36°	Up110° / Down 36°		
UGR		UGR<19					
LED Driver		Built-in					
Dimming Option		DALI					
Sensor		-					
Emergency Kits		-					
Electrical Class		Class I					
Ingress Protection (IP Rating)		IP20					
Impact Resistance (IK Rating)		-					
Product Finishing(Base)		Black RAL9005,White RAL9016					
Materials of Optics		PC					
Materials of Housing		Aluminum					
Lifetime (hr)		50,000h					
Glow wire test (°C)		750°C					
Operating Temp. (°C)		-20°C ~45°C					
Storage Temp. (°C)		-20°C ~65°C					
Installation		Surface mount / Pendant /wall mount					

Technical Data Sheet (JDB146D)

Code No.		JDL146D-1200-38W		JDL146D-1500-50W			
Dimension(mm)		1205*34*105		1505*34*105			
Cutout (mm)		-		-			
Watt(W)		30W(Downward)	30W(Downward) +8W(Upward)	40W(Downward)	40W(Downward) +10W(Upward)		
Rated Input Voltage(V)		AC230V					
Input Voltage(V)		AC220-240V					
LED Module Input		-					
Light Source		SMD					
SDCM		SDCM<4 for whole lamp					
CCT(K)		1-CCT:3000K/4000K/5000K					
CCT Selection DIP Switch		NO					
Luminous Flux (lm) ±5% (Black color)	Non-DIM	1-CCT	Standard	2550-3300	3300-4150	3500-4350	4350-5400
			Premium	3000-4000	3800-4900	4000-5200	5100-6400
	DIM	1-CCT	Standard	2550-3300	3300-4150	3500-4350	4350-5400
			Premium	3000-4000	3800-4900	4000-5200	5100-6400
Remark: If with white color, the lumen will increase around 3%							
CRI		80					
Beam Angle (°)		36°+80°	Up110° Down 36°+80°	36°+80°	Up110° Down 36°+80°		
UGR		-					
LED Driver		Built-in					
Dimming Option		DALI					
Sensor		-					
Emergency Kits		-					
Electrical Class		Class I					
Ingress Protection (IP Rating)		IP20					
Impact Resistance (IK Rating)		-					
Product Finishing(Base)		Black RAL9005,White RAL9016					
Materials of Optics		PMMA+PC					
Materials of Housing		Aluminum					
Lifetime (hr)		50,000h					
Glow wire test (°C)		650°C					
Operating Temp. (°C)		-20°C ~45°C					
Storage Temp. (°C)		-20°C ~65°C					
Installation		Surface mount / Pendant /wall mount					

Driver Datasheet (Non-dimmable)

Total load wattage		15W	18W	20W	25W	30W	38W	40W	50W
Output	Output Voltage range	DC28-42V							
	Rated output current	435mA		580mA		900mA		1200mA	
	Line Regulation	±5%							
	Setup, Rise Time	<0.5S @AC230V							
	Flickering Index	<0.5							
Input	Input Voltage	AC180-264V							
	Rated Input Voltage(V)	AC200-240V							
	Frequency	50/60Hz							
	Input Current	<0.09A	<0.11A	<0.12A	<0.16A	<0.19A	<0.23A	<0.25A	<0.30A
	Rated Input Current	<0.08A	<0.10A	<0.11A	<0.14A	<0.17A	<0.21A	<0.23A	<0.27A
	Power Factor	0.9							
	THD	<20% @230V							
	Efficiency	85%			86%				
	No load wattage	< 0.5W @ 230VAC							
	Protection	Short circuit protection	PASS						
Over voltage protection		PASS							
Over temperature protection		PASS							
Safety & EMC	Withstand voltage	I/P-FG:1.5KVac, <5mA 60S							
	Isolation Resistance	500VDC, ≥2M Ω							
	Surge	IEC/EN61000-4-5(P<25W; L-N:500V, L/N-PE:1KV)				IEC/EN61000-4-5 (P≥25w L-N:1KV, L/N-PE:2KV)			
	EMC Emission	EN55015,EN61000-3-2							
	EMC Immunity	EN61000-4-2,3,4,5,6,8,11; EN61547							

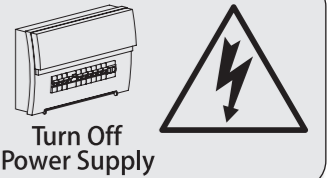
Driver Datasheet (DALI Dimmable)

Total load wattage		30W	38W	40W	50W
Output	Output Voltage range	DC28-40V			
	Rated output current	900mA		1150mA	
	Line Regulation	±5%			
	Setup, Rise Time	<0.1S @AC230V			
	Flickering Index	<0.5			
Input	Input Voltage	AC 180-264V			
	Rated Input Voltage(V)	AC 200-240V			
	Frequency	50/60Hz			
	Input Current	<0.19A	<0.24A	<0.25A	<0.31A
	Rated Input Current	<0.17A	<0.22A	<0.23A	<0.28A
	Power Factor	0.9			
	THD	< 20% @ 230VAC			
	Efficiency	87%		88%	
	No load wattage	<0.5W @ 230VAC			
	Protection	Short circuit protection	PASS		
Over voltage protection		PASS			
Over temperature protection		PASS			
Safety & EMC	Withstand voltage	I/P-FG:1.5KVac, <5mA 60S			
	Isolation Resistance	500VDC, ≥2M Ω			
	Surge	IEC/EN61000-4-5 (P≥25w L-N:1KV, L/N-PE:2KV)			
	EMC Emission	EN55015,EN61000-3-2			
	EMC Immunity	EN61000-4-2,3,4,5,6,8,11; EN61547			

Installation Procedure

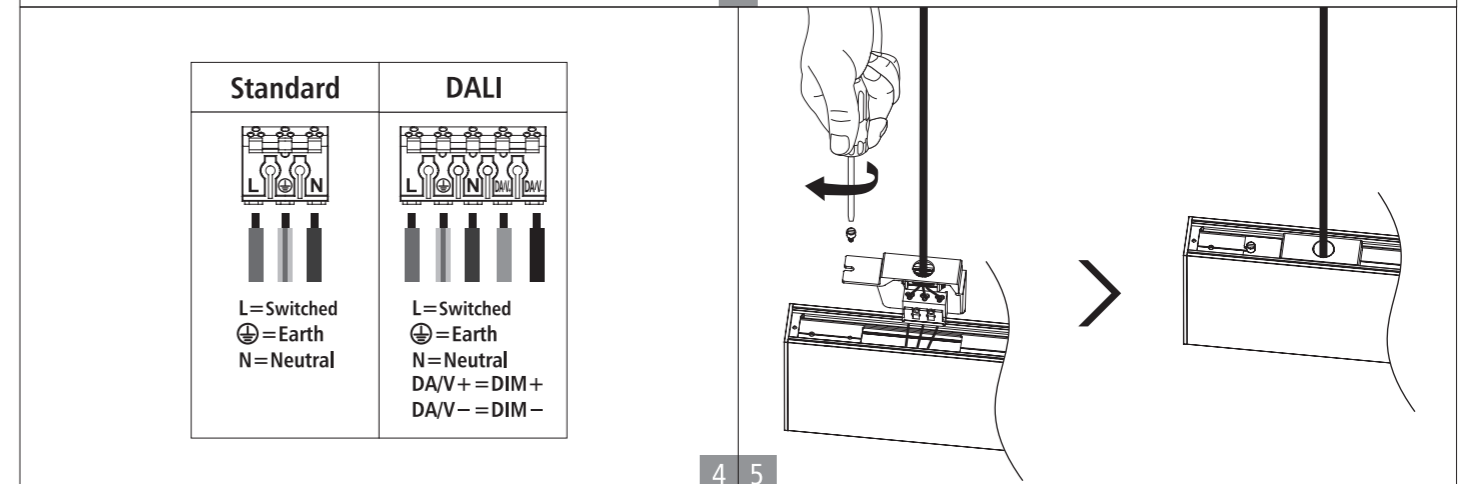
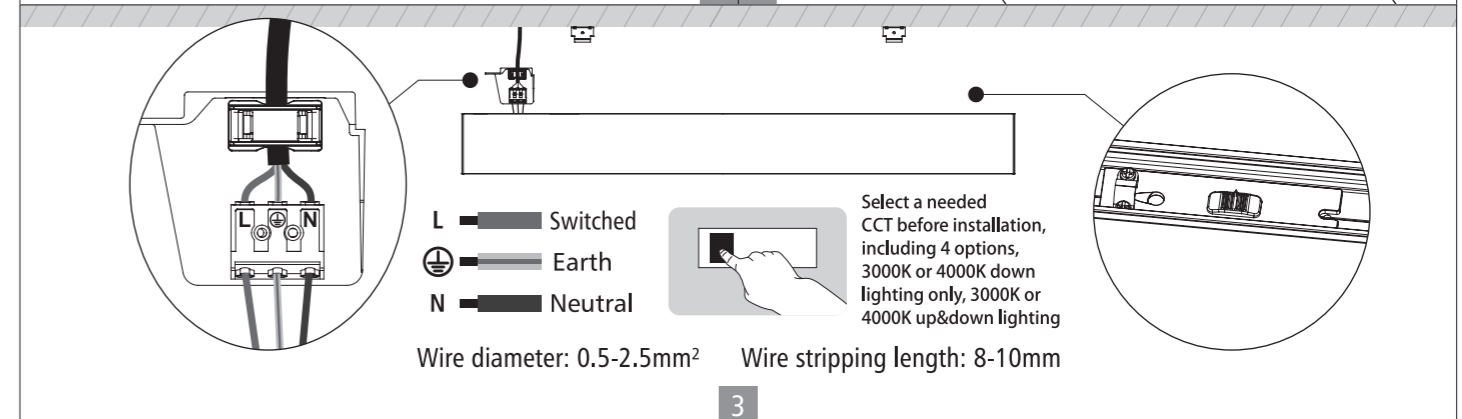
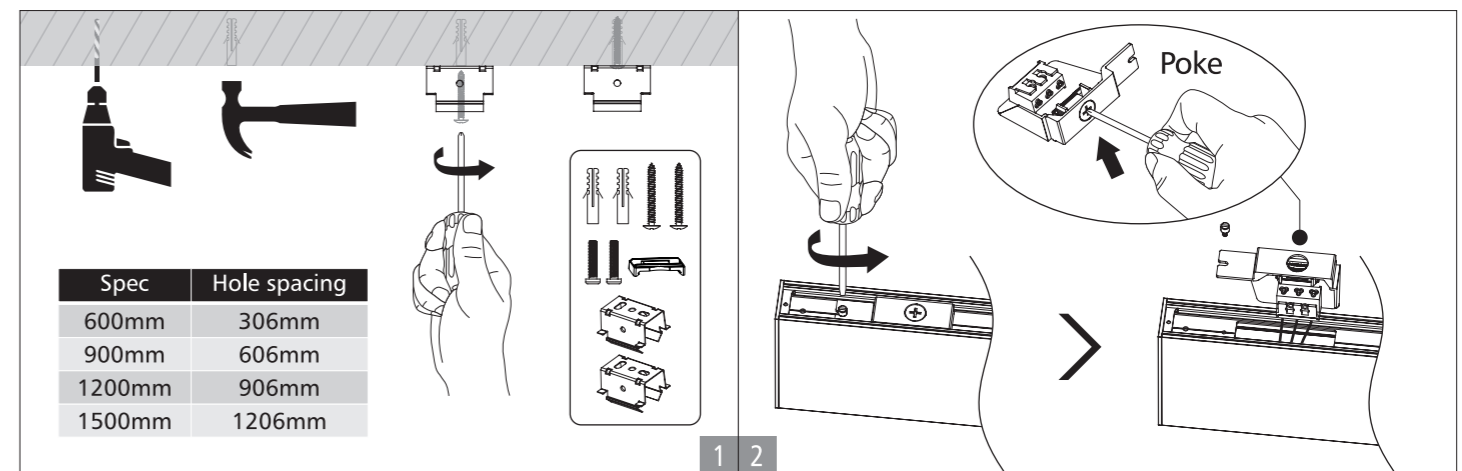
WARNING

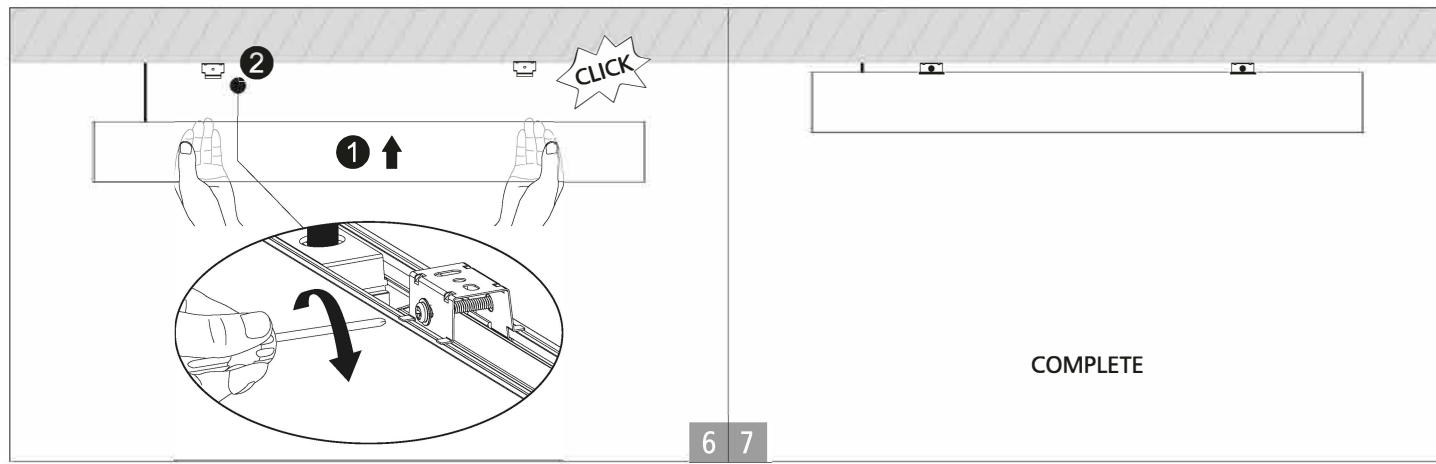
1. Switch off before installation.
2. Switch on only after complete installation and examination of the circuit.
3. Professional electrician for installation and maintenance only.



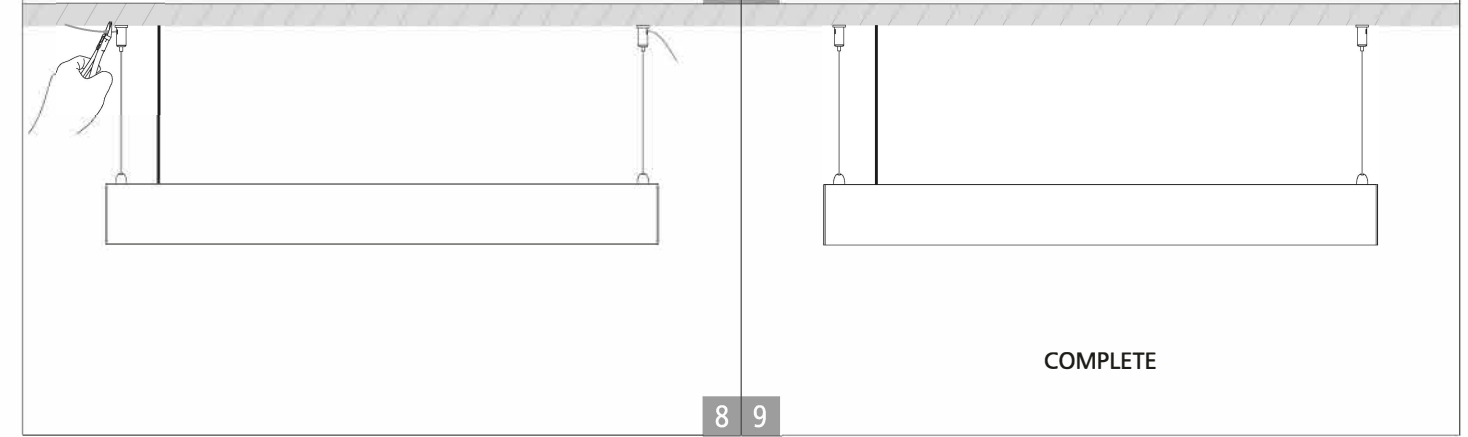
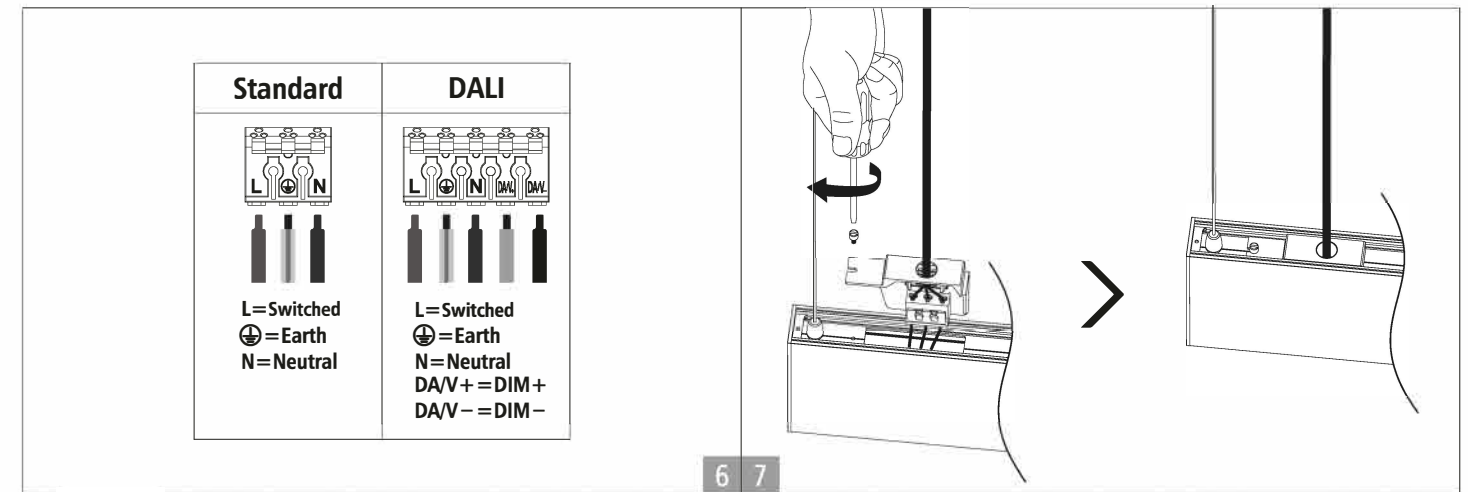
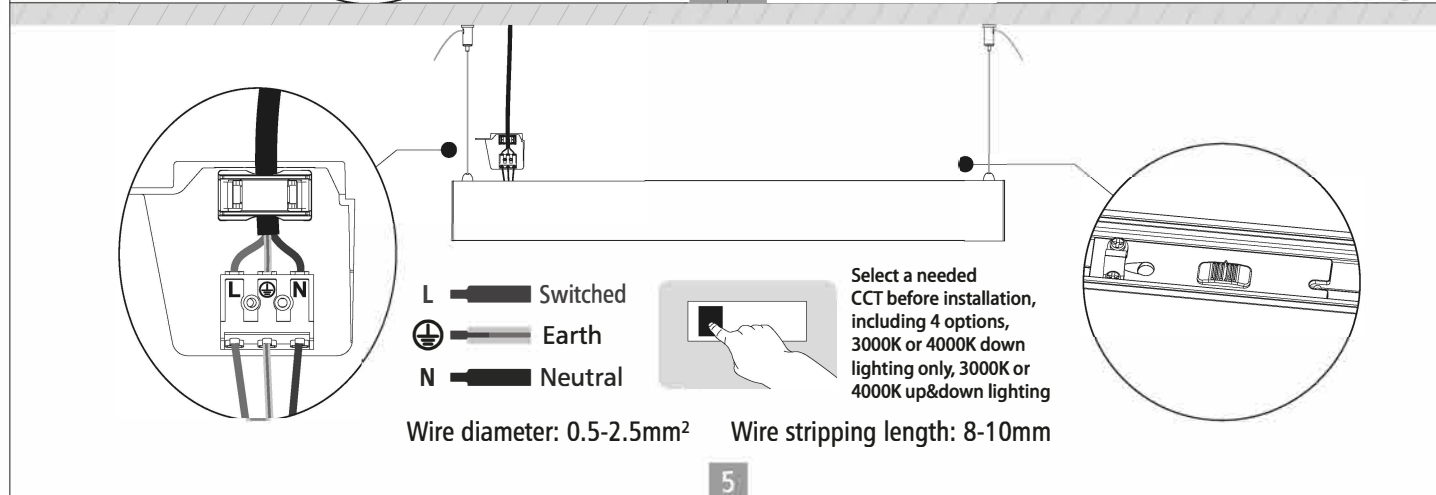
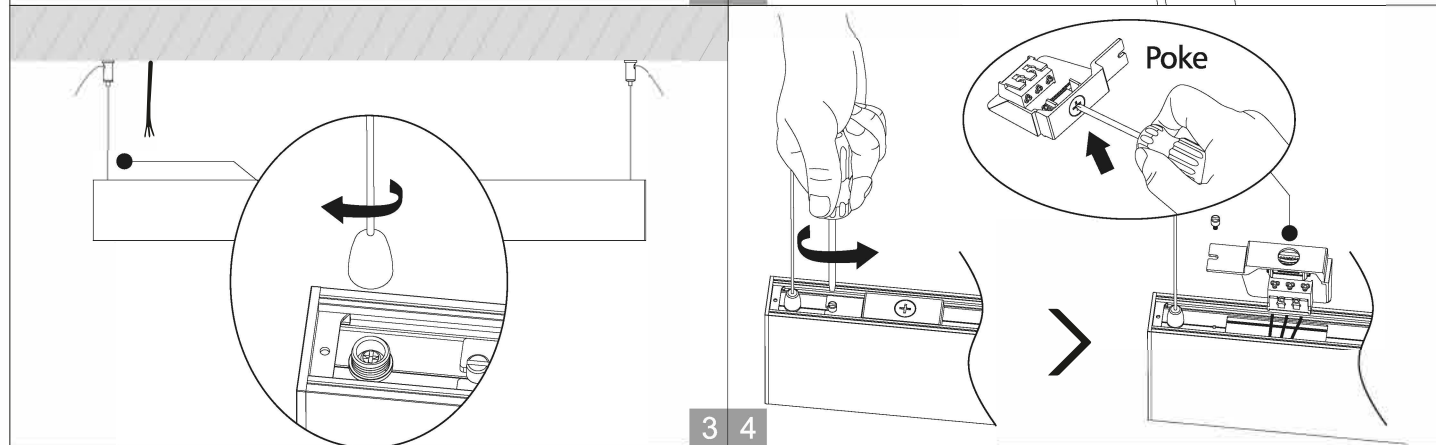
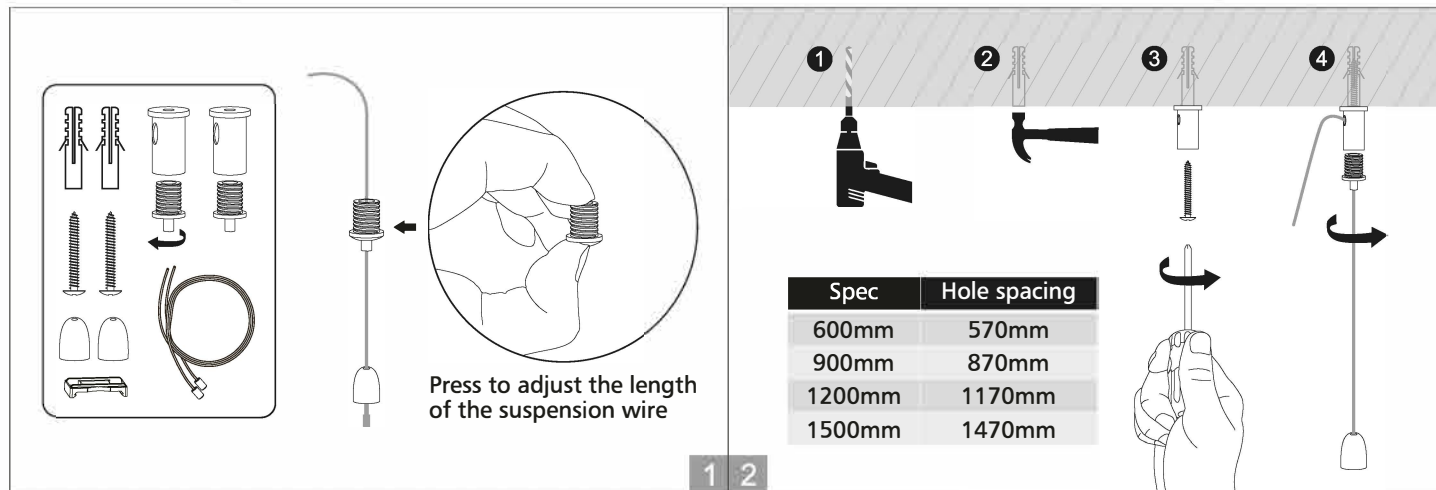
Turn Off power supply before starting any installation. Read instructions & check you have all the tools & accessories to complete the installation correctly.

Surface mount installation

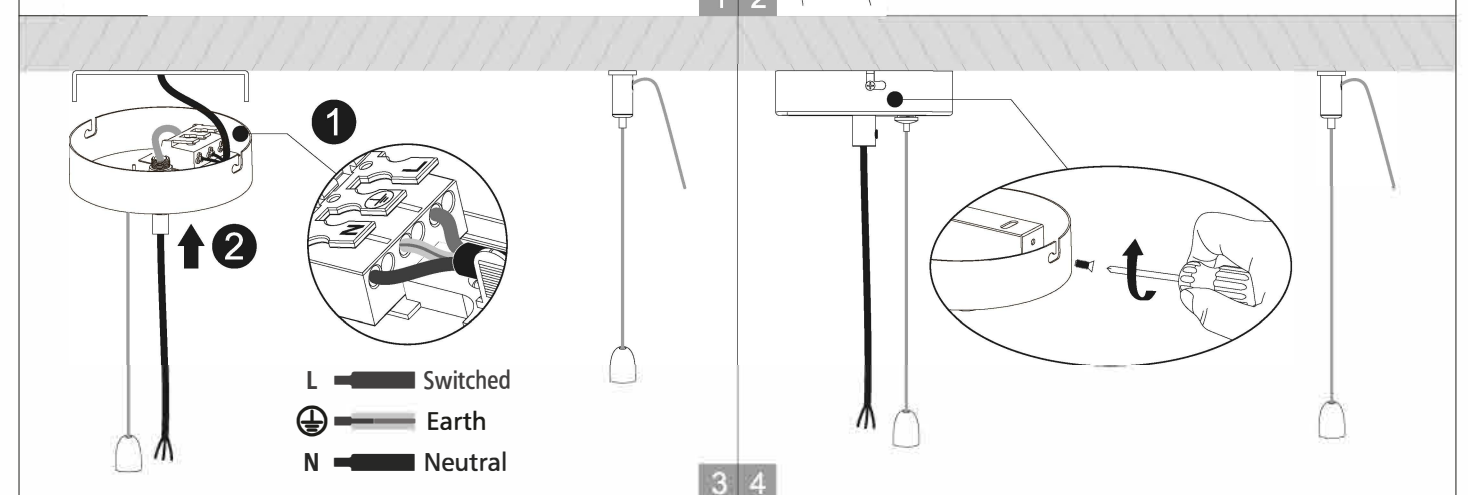
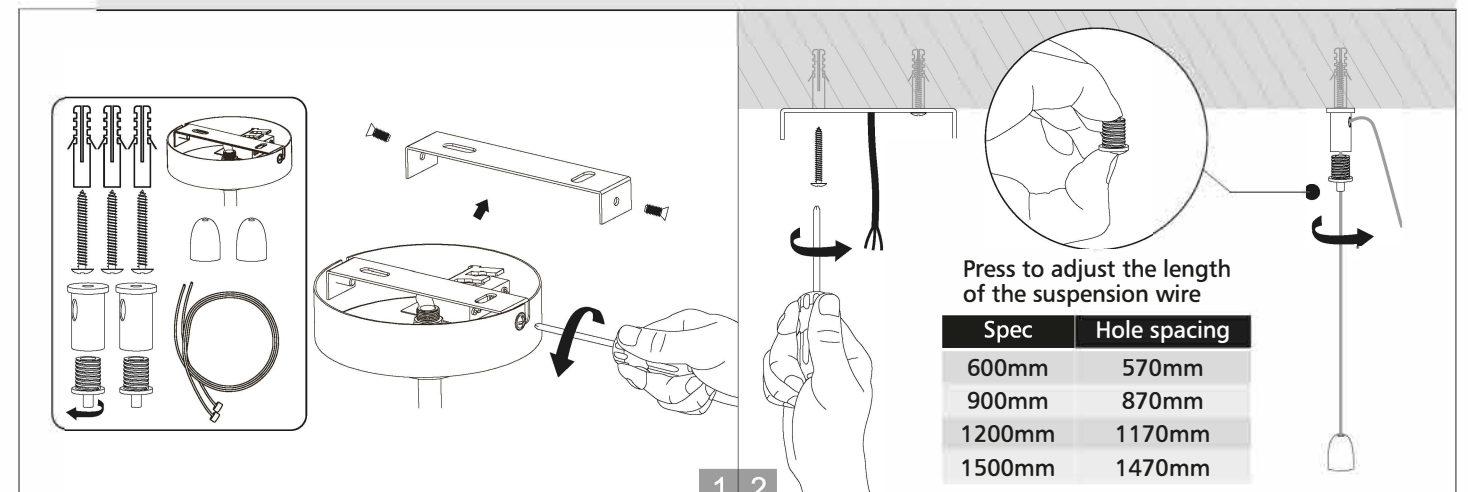


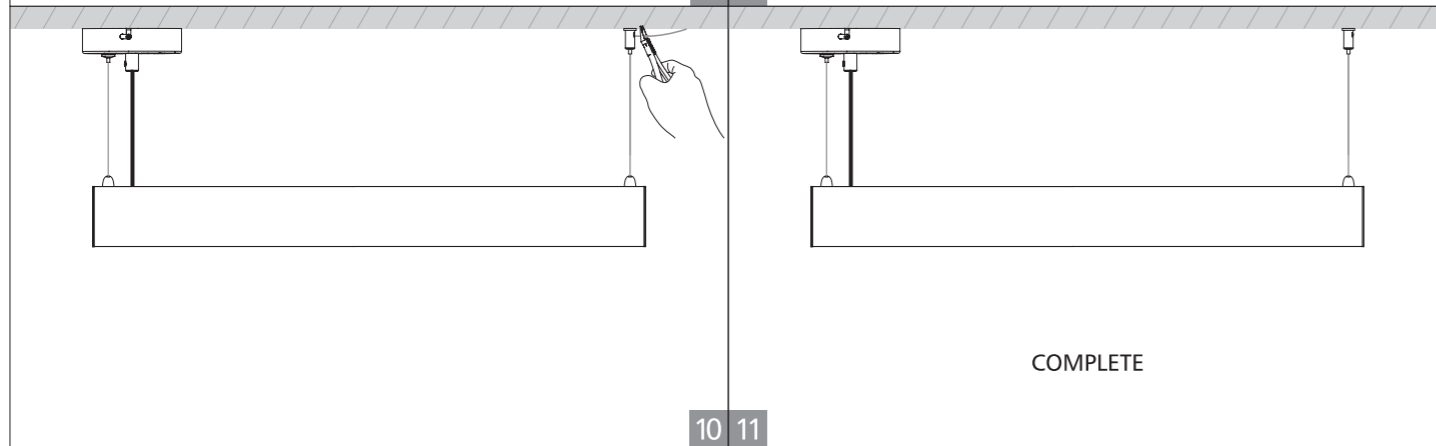
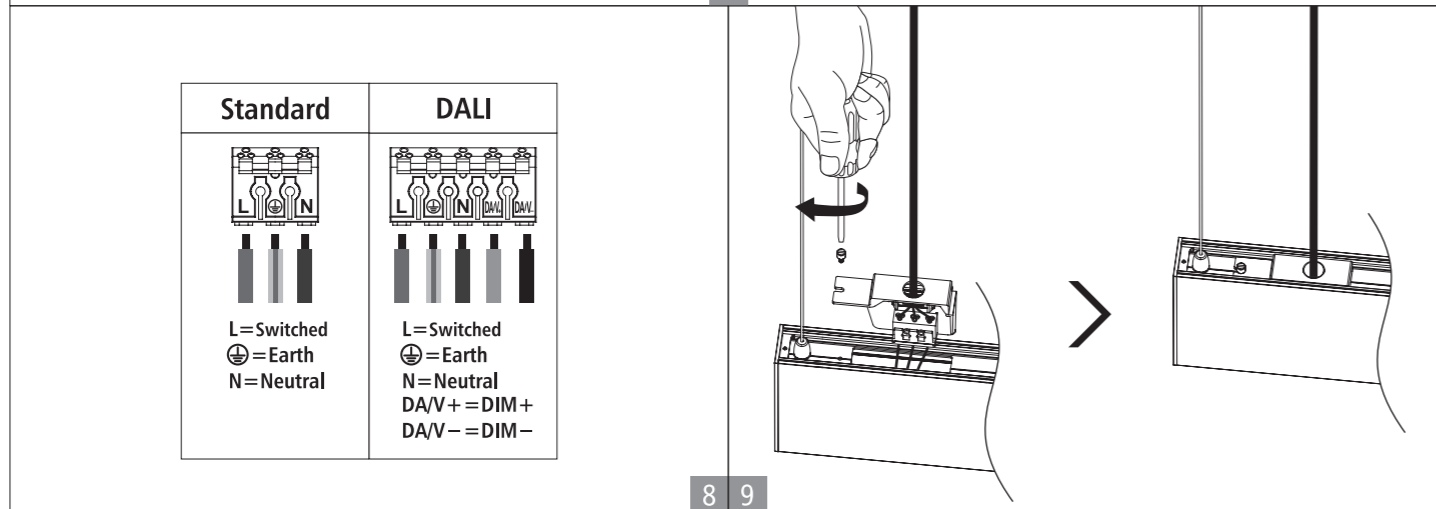
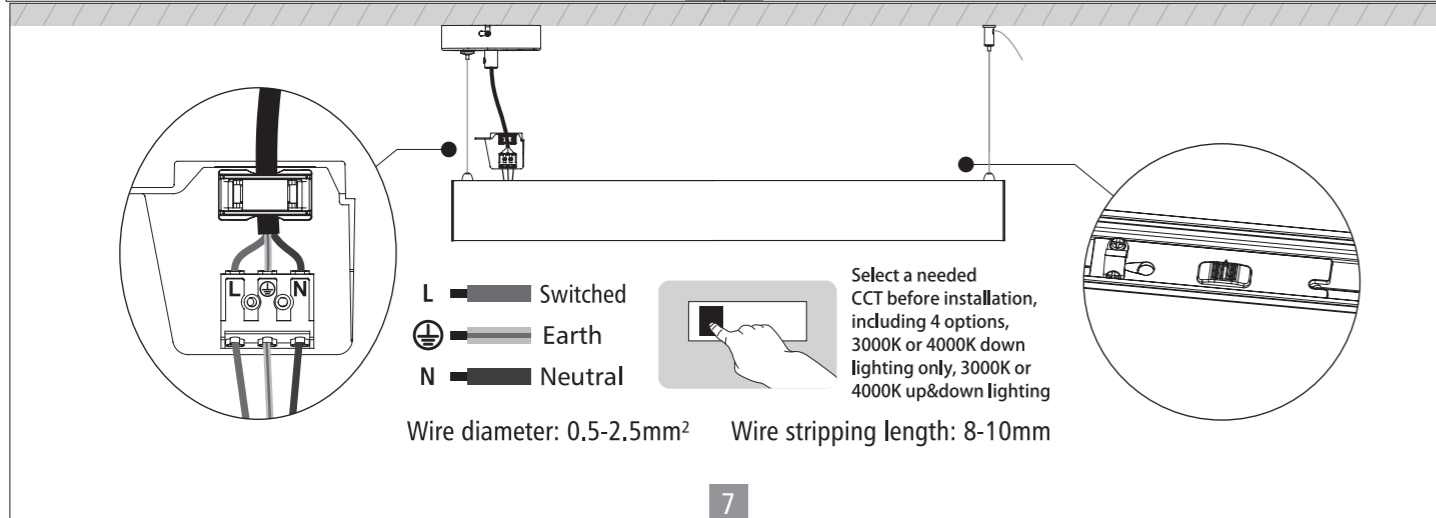
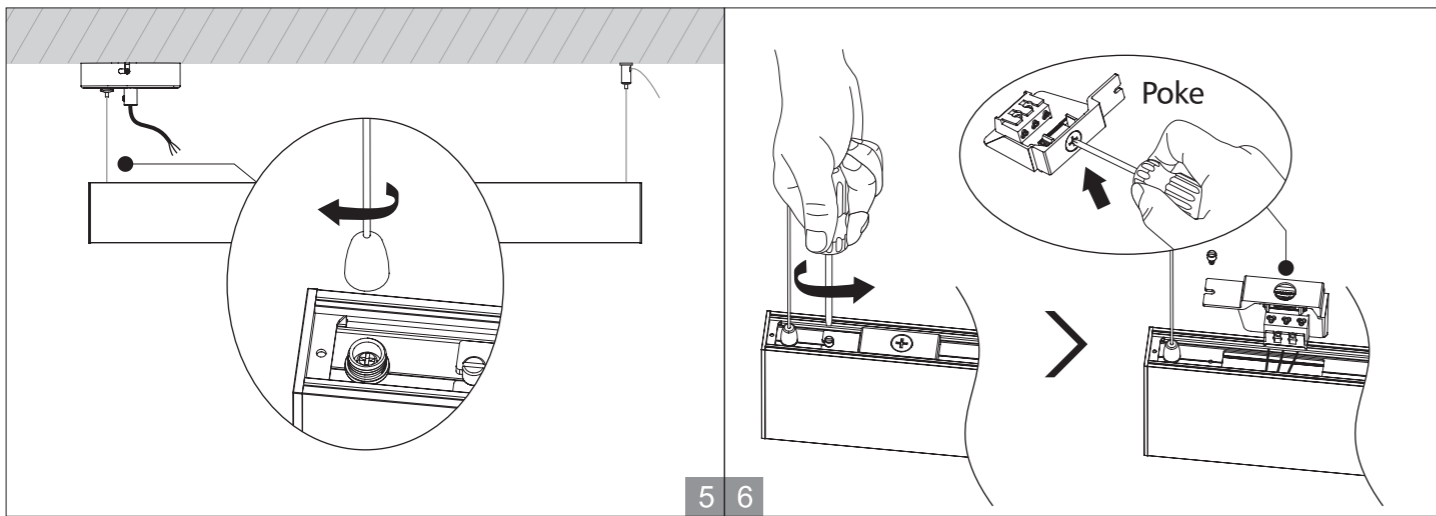


Suspended installation (Without round ceiling plate)

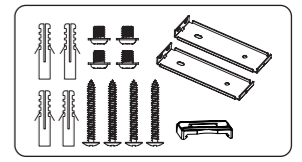
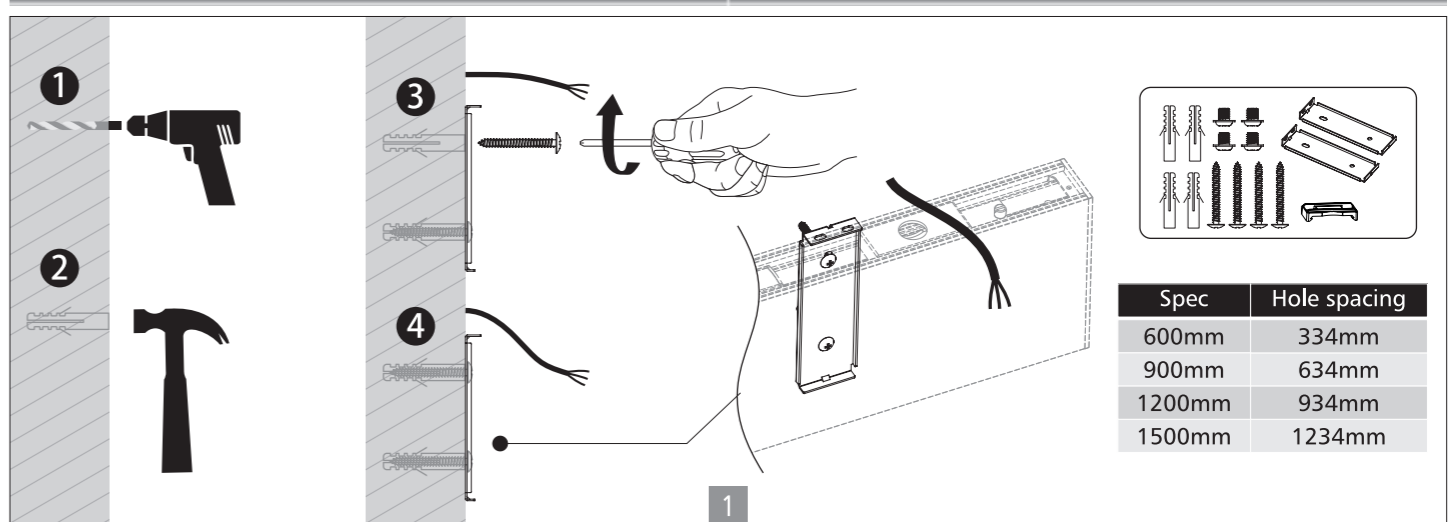


Suspended installation (With round ceiling plate)

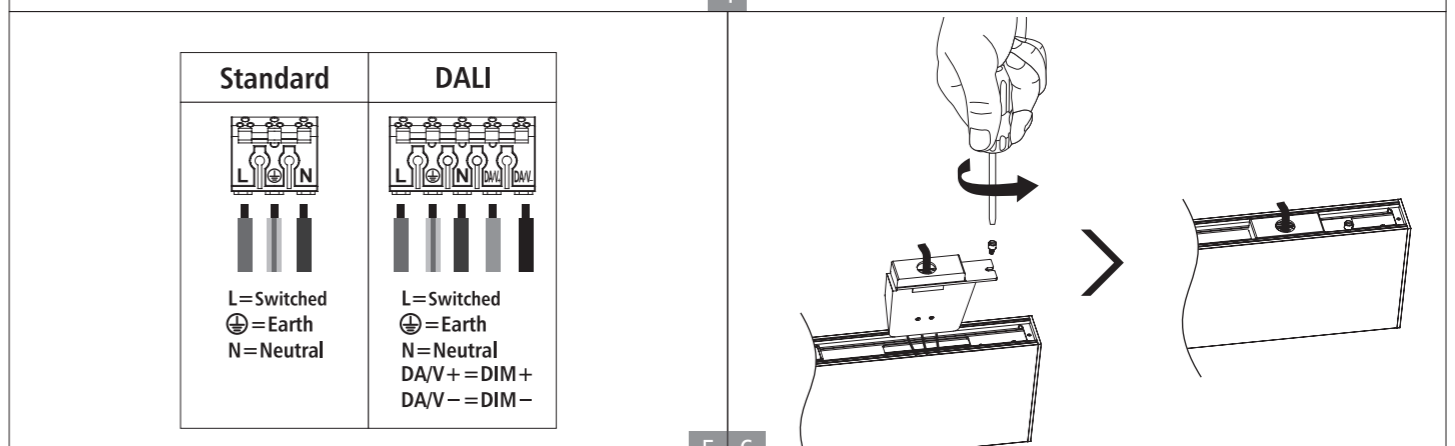
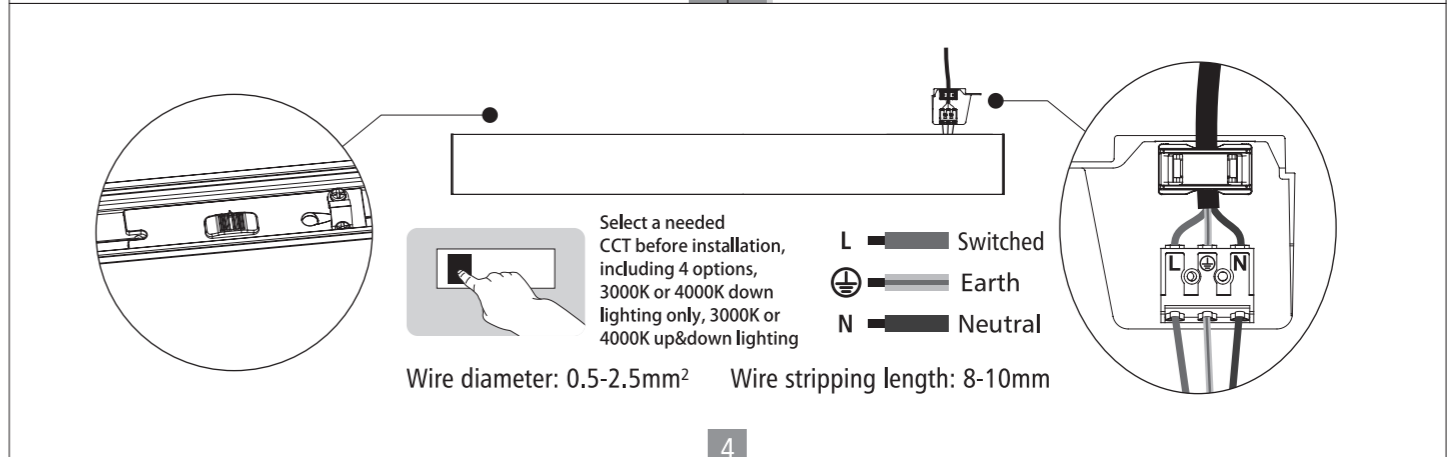
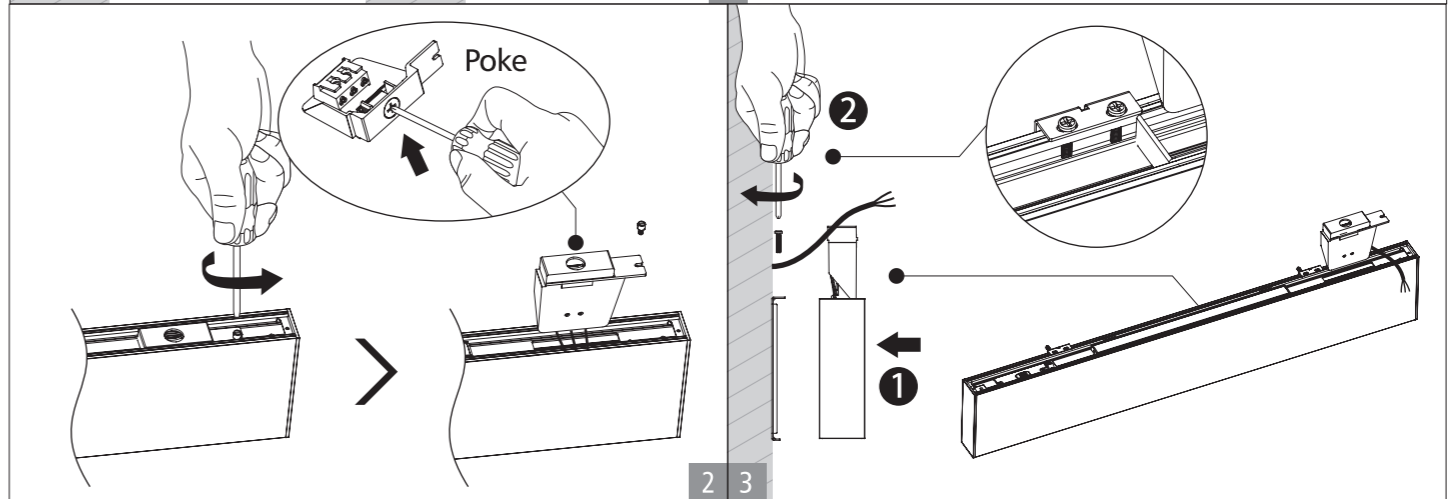


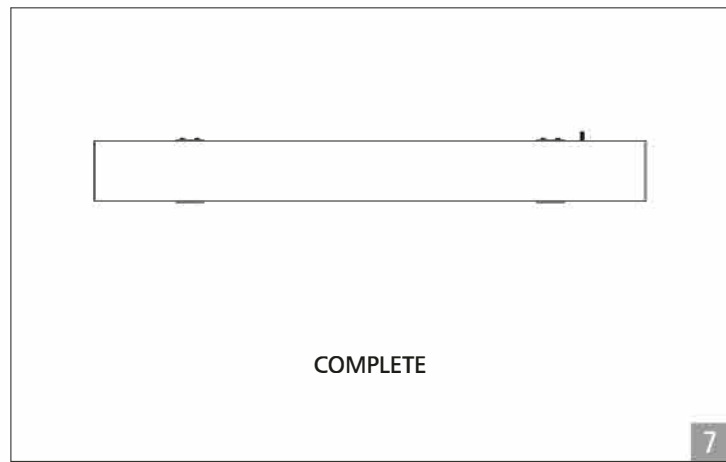


Wall mounted installation

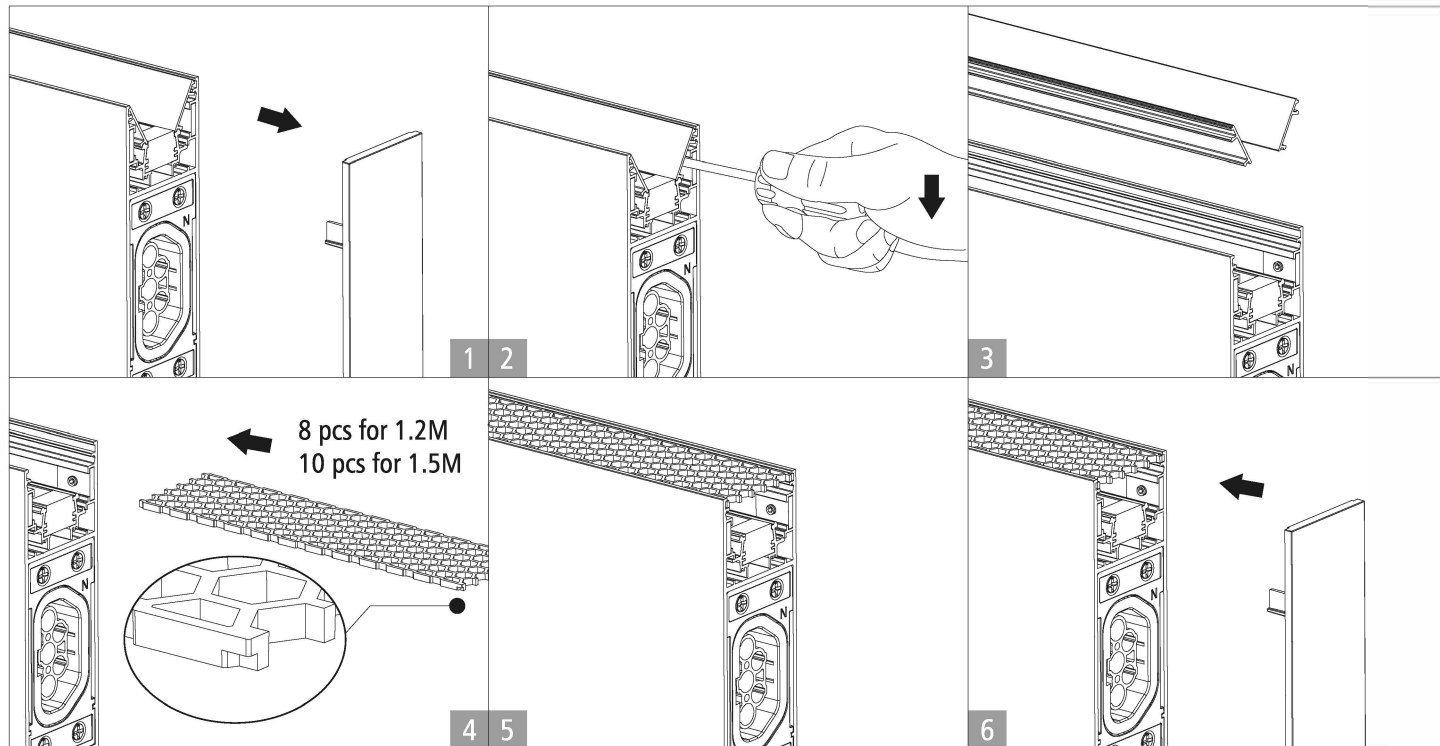


Spec	Hole spacing
600mm	334mm
900mm	634mm
1200mm	934mm
1500mm	1234mm

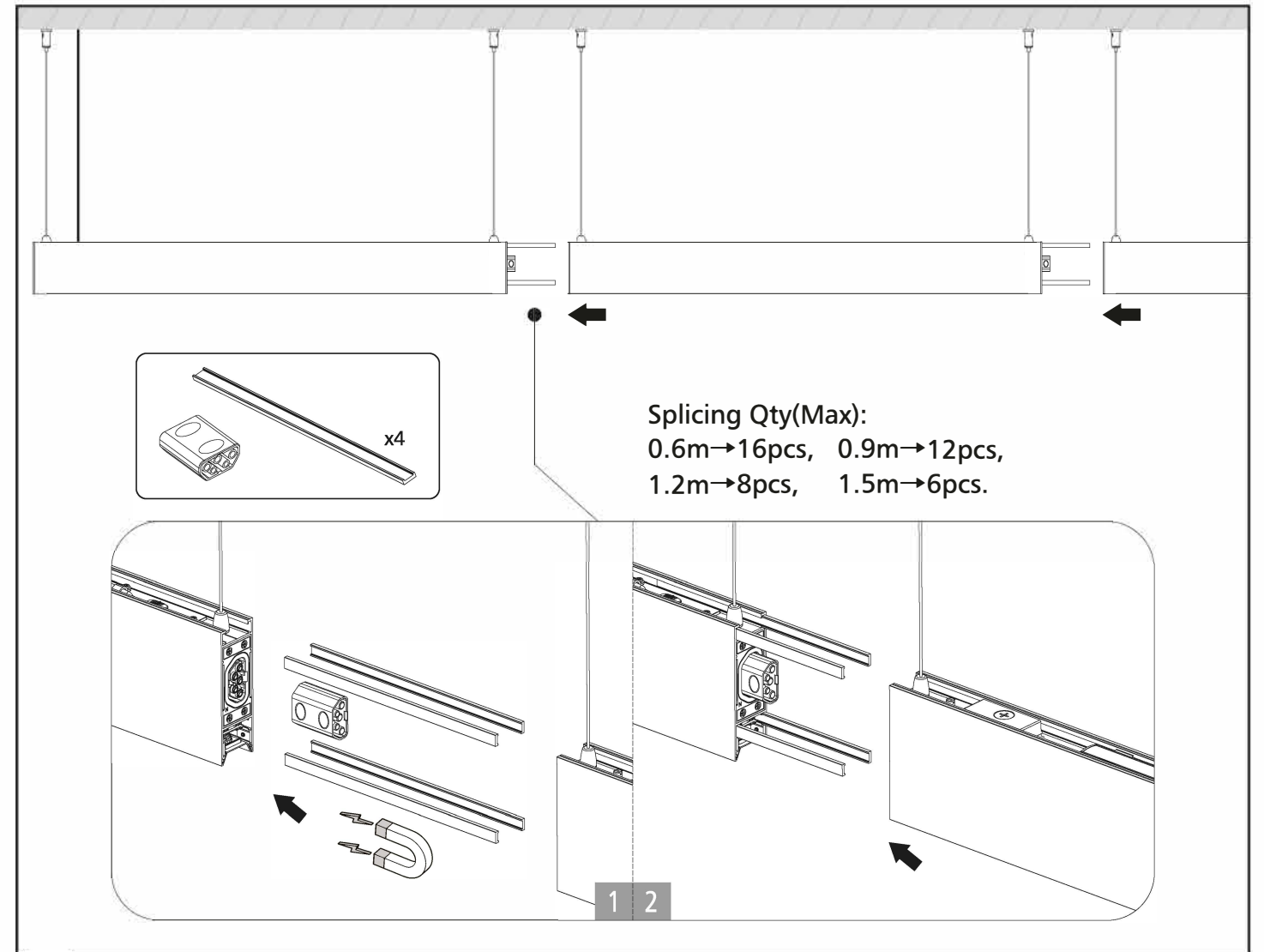




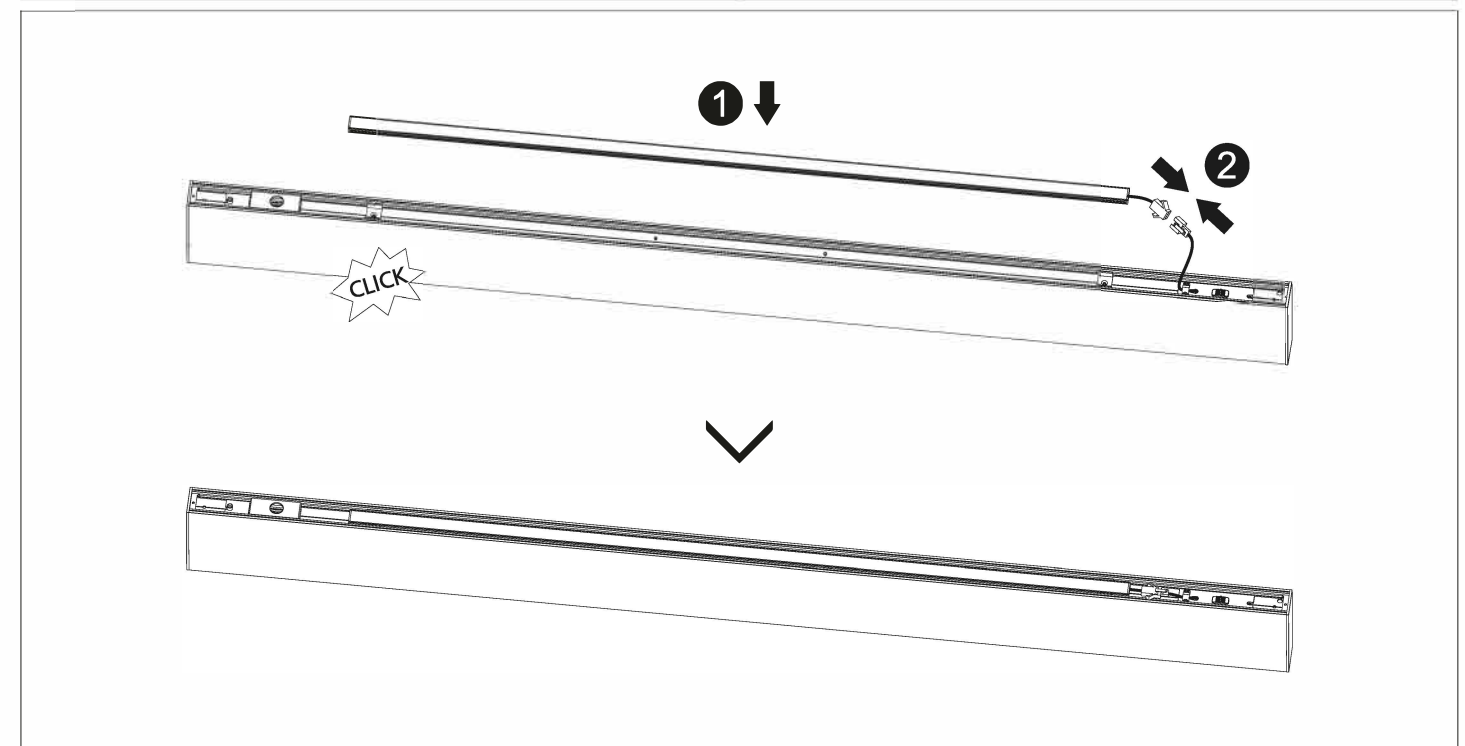
Replace the honeycomb cover



Splicing installation



Up & down lighting distribution by adding upward LED module





© 2019 Jibe Lighting - all rights reserved

Jibe reserves the right to alter material, dimensions and characteristics without prior notice.

Read installation instructions carefully. Technical information on the installation instruction has precedence over the information in the brochure.

Our general terms and conditions shall apply notwithstanding any stipulation to the contrary to all the orders and agreements with Jibe.

You can obtain a copy of these conditions on demand.

For latest information and specifications of the full product range visit www.jibe.lighting

JIBE LIGHTING — HEADQUARTERS
Hogebrinkerweg 14V - 3871 KN Hoevelaken
Netherlands Tel: +31 (0)33 844 7111
info@jibe.lighting - www.jibe.lighting