



Technical Application  
Guide for JIBE LED  
Ceiling light  
JAL45-10-12W

# Introduction



With high performance(Dimmable, Non-dimmable, Emergency, Sensor ). Easy to install: labor-saver( quick terminal block design) , Connect in series(Opening wiring and concealed wiring are optional). IP65, IK10. Easier maintenance, as the driver can be replaced easily, different standard drivers in the market can be matched.

- Up to 70% energy saving compared to standard CFL
- Long lifetime of 50,000 hours
- Triac dim
- 120° wide beam angle
- CCT: 3000K 4000K 5000K 5700K
- No UV/IR light
- Environment friendly, without Mercury or any other hazardous substances

## Application notes

- IP65 both for indoor and outdoor use
- Professional electrician for installation only
- Switch off before installation
- Do not touch when in use
- Keep away from hot steam and corrosive gas

## Application Areas

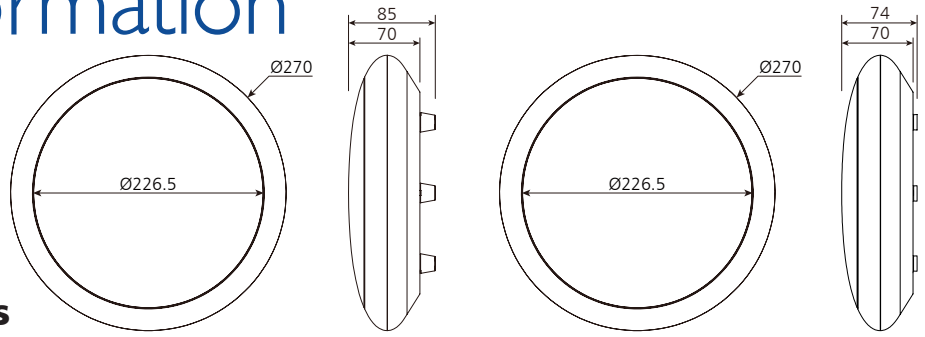
It is designed for general lighting applications in office, supermarket, shop, school, hotel, etc. It is also widely used for public areas, such as stairway, lobby, reception, corridors etc.

## Certificate

CE RoHS



# Product Information



## Technical Specifications

Model	Voltage	Power	Power Factor	Lumen (±5%)	Beam angle	CCT	Lifespan	CRI	Dimmable	Dimension
JAL45-10-12W	AC230V	12W	≥0.9	1190	120°	3000K	50000h	≥80	No	Ø270*70mm
JAL45-10-12W	AC230V	12W	≥0.9	1280	120°	4000K	50000h	≥80	No	Ø270*70mm
JAL45-10-12W	AC230V	12W	≥0.9	1200	120°	5000K	50000h	≥80	No	Ø270*70mm
JAL45-10-12W	AC230V	12W	≥0.9	1200	120°	5700K	50000h	≥80	No	Ø270*70mm
JAL45-10-12W-D	AC230V	12W	≥0.9	1110	120°	3000K	50000h	≥80	Yes	Ø270*70mm
JAL45-10-12W-D	AC230V	12W	≥0.9	1220	120°	4000K	50000h	≥80	Yes	Ø270*70mm
JAL45-10-12W-D	AC230V	12W	≥0.9	1190	120°	5000K	50000h	≥80	Yes	Ø270*70mm
JAL45-10-12W-D	AC230V	12W	≥0.9	1190	120°	5700K	50000h	≥80	Yes	Ø270*70mm

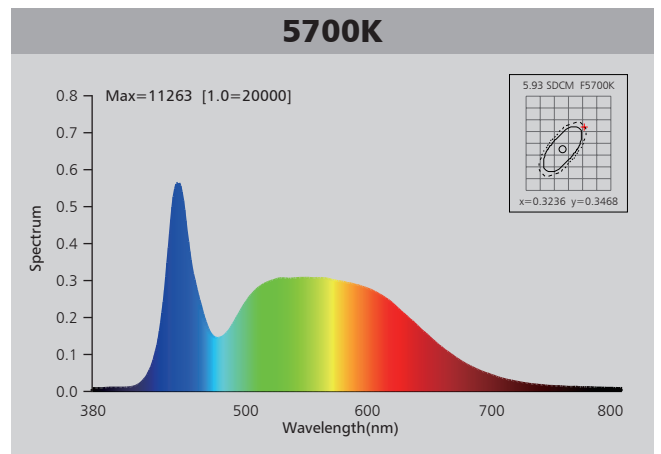
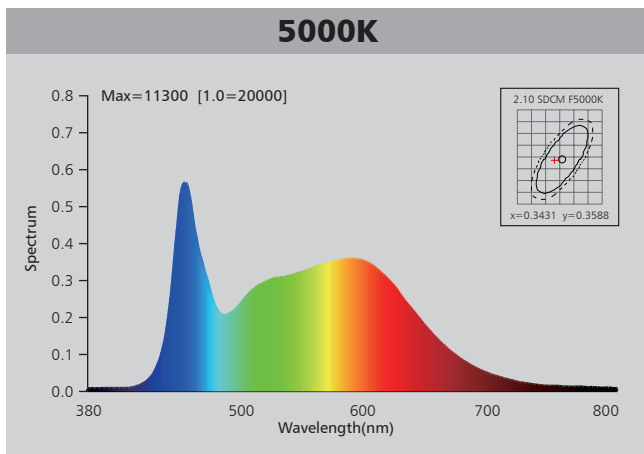
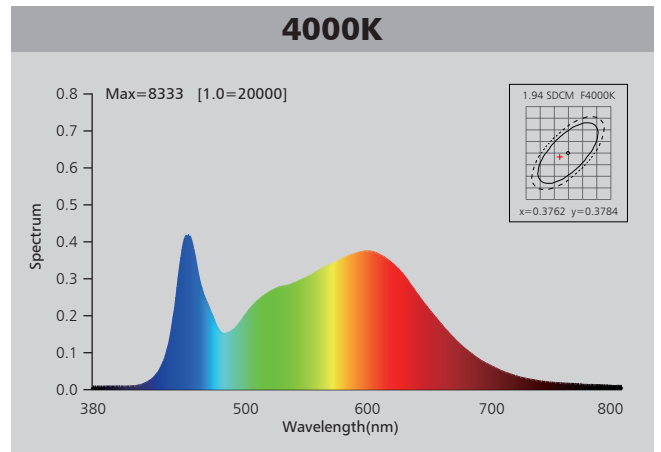
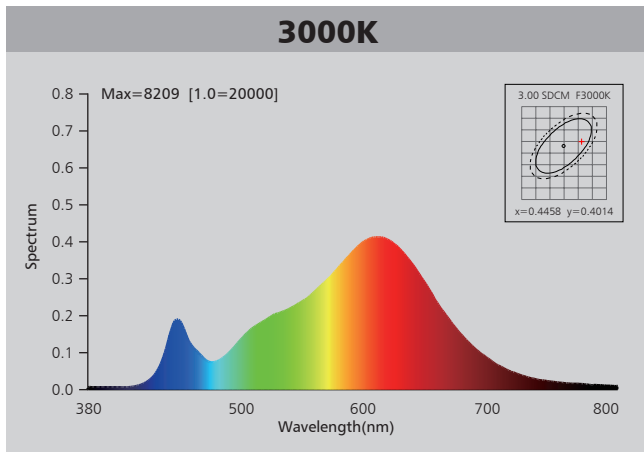
## Driver data Sheet

Driver data	DIM	Non-dim
Input rated Voltage	AC230V	AC230V
Frequency	50Hz	50/60Hz
Input Voltage	AC200-240V	AC200-240V
Efficiency	≥80%	≥82%
No load wattage	≤1W	≤0.5W
Total load Wattage	12W±1W	12W±1W
Power Factor	≥0.9	≥0.9
Rated input current	≤0.07A	≤0.07A
Full load output Voltage	23-40V	25-42V
Rated output current	280mA	300mA
Output current range	280mA±5%	300mA±5%
Power tolerance	±5%	±5%
Current output tolerance	±5%	±5%
Dimming range	8%-100%	—
Dimmer	Triac dimmers	—
Short circuit protection	PASS	PASS
Over voltage protection	PASS	PASS
Over temperature protection	PASS	PASS
THD	≤20%	≤18%
Withstand voltage	AC3750V	AC3750V

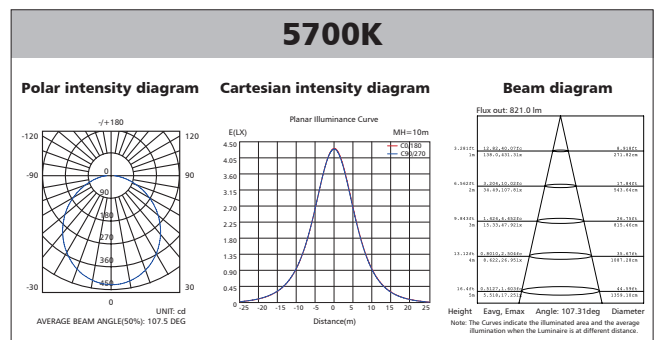
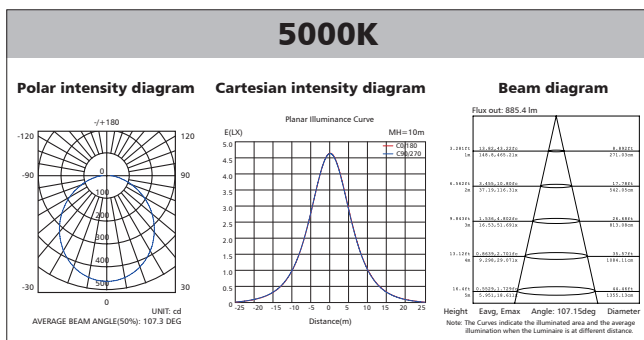
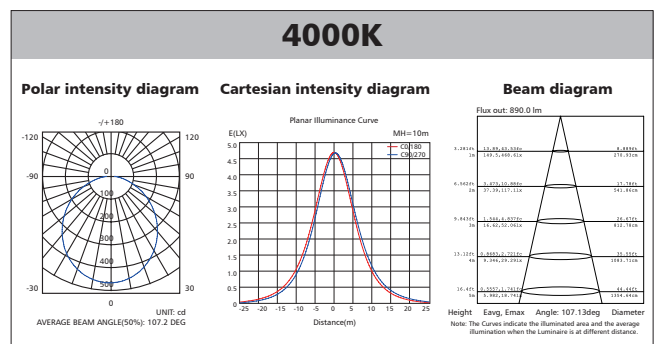
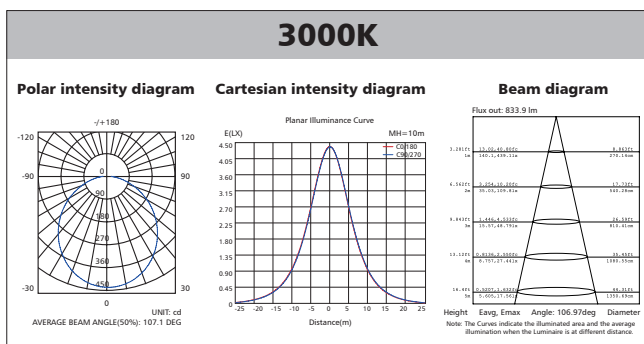
## Fixture Compatibility

Rated Wattage	Electrical Classification	Ingress Protection	Operating Temp	Operating Humidity	Storage Temp
12W	II	IP65	-20°C~45°C	0~90%	-20°C~65°C

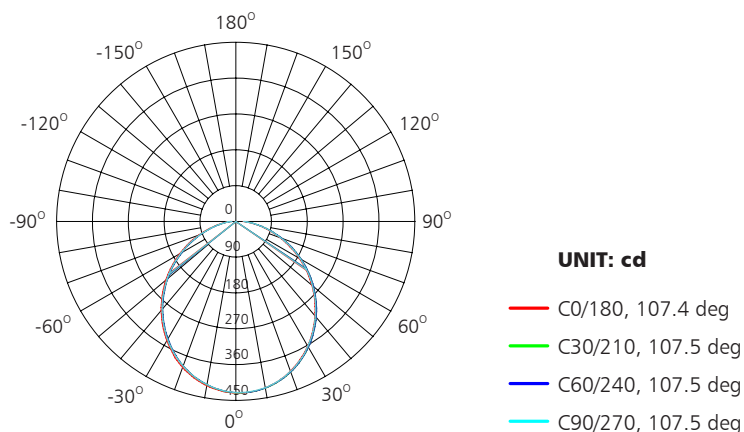
# Spectral Distribution



# Photometric Diagram



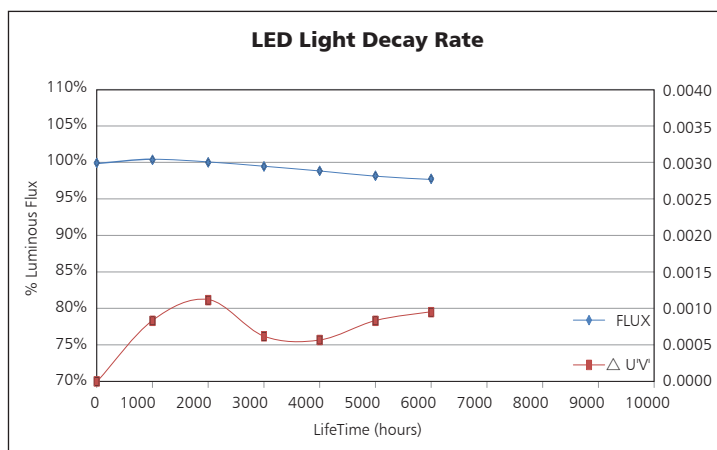
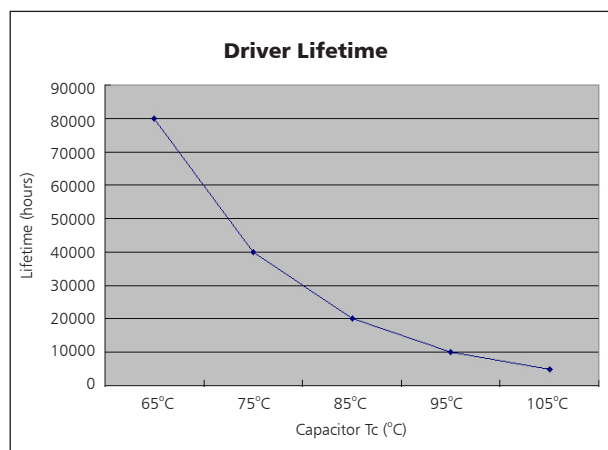
## Polar Diagram Comparison



AVERAGE BEAM ANGLE (50%): 107.5 DEG

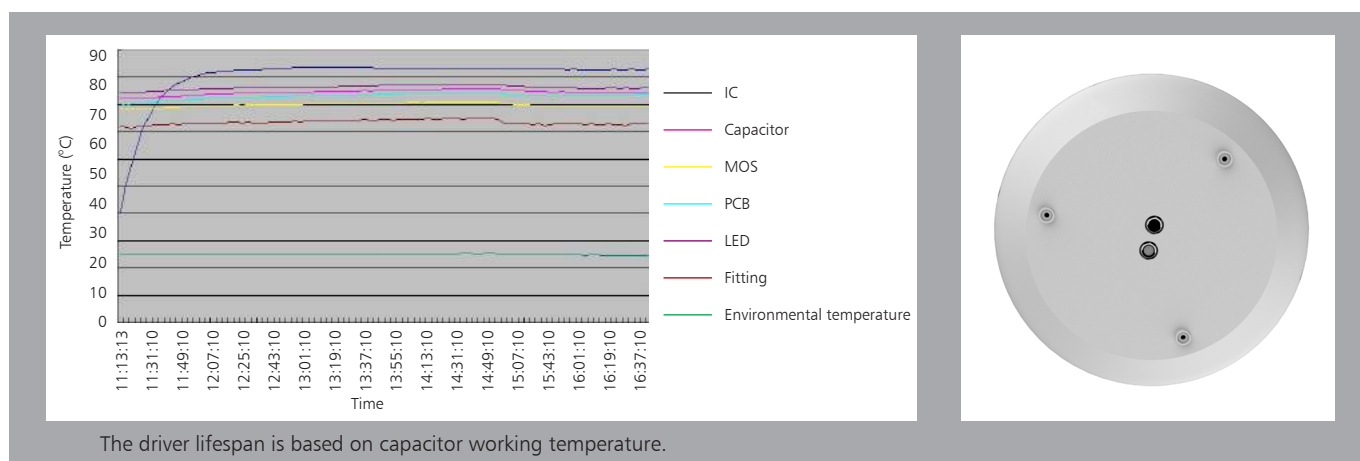


## Driver lifetime & LED light decay rate

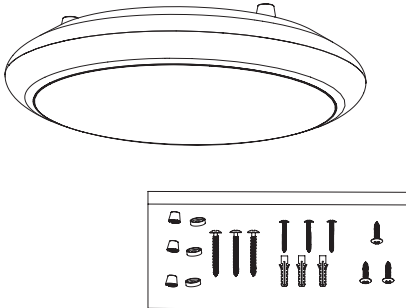
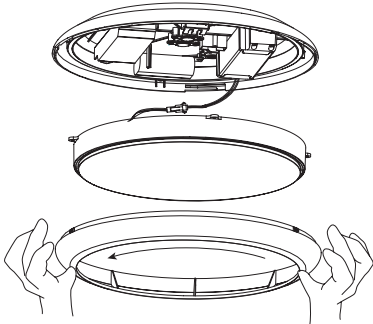
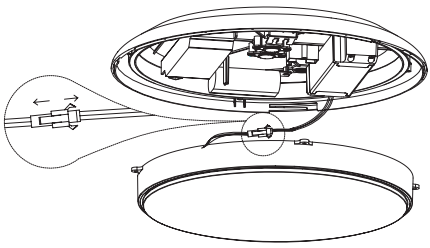
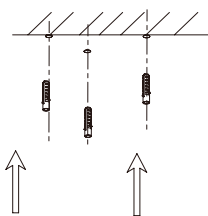
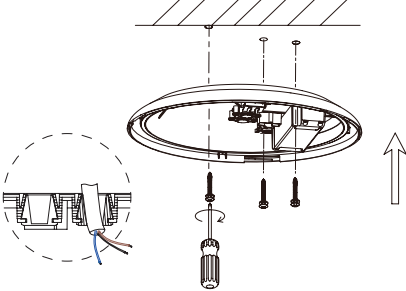
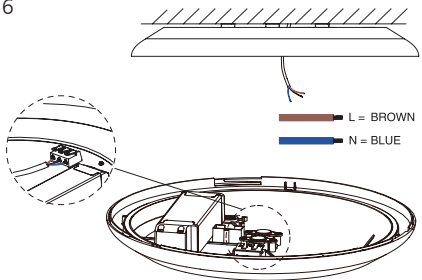
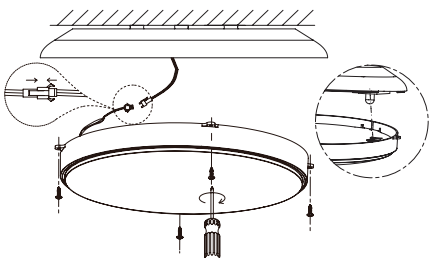
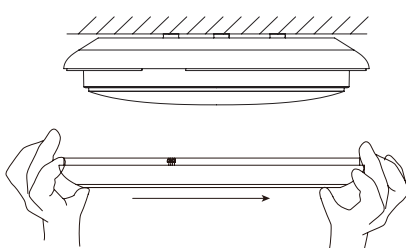
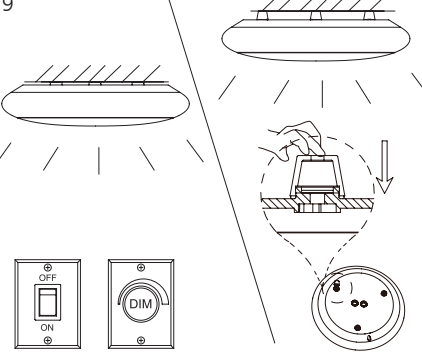


## Temperature

- The testing is operated at 25°C
- The lifetime of capacitor, minimum of 5,000 hours if operated at 105°C, will be doubled whenever the temperature drops 10°C
- The highest withstand temperature of IC, MOS could be 120°C
- The highest withstand temperature of LED junction temperature is 150°C



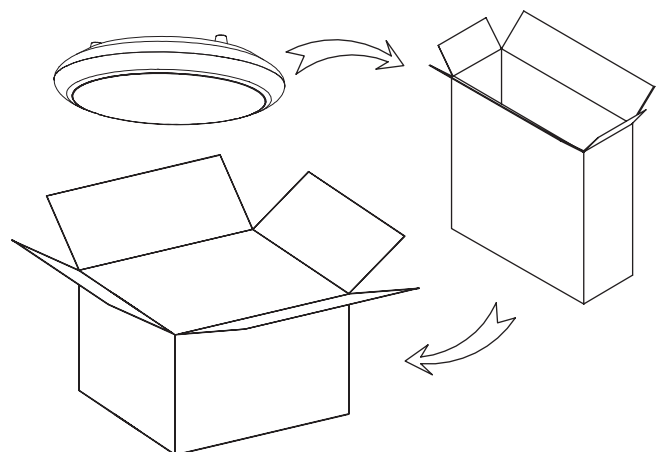
# Installation

<p>1</p>  <p>Take out accessory pack.</p>	<p>2</p>  <p>Unscrew the front frame anticlockwise and take it out, make the frame, diffuser and back housing separately.</p>	<p>3</p>  <p>Disconnect the connection plug.</p>
<p>4</p>  <p>Put the plastic anchor into the ceiling.</p>	<p>5</p>  <p>Make the input wires through entrance hole and waterproof bushing, cover the screws with waterproof washer, fix the back housing by these screws.</p>	<p>6</p>  <p>Connect the wires to the block through the reliefs.</p>
<p>7</p>  <p>Settle the male and female connectors well and fix the diffuser cover on the back housing by screws.</p>	<p>8</p>  <p>Match the gaps for each part and rotate the frame clockwise.</p>	<p>9</p>  <p>Installation finished, turn on the switch.</p>

## Packaging Information

	SIZE(CM)	N.W/pc (KGS)	G.W.(KGS)	Q'TY(PCS)
Carton	56.5*44*29.5	0.755	10.1	10

	CTNS	Q'TY(PCS)	VOLUME(CBM)
20" standard container	370	3700	28
40" standard container	750	7500	56





# Technical Application Guide for JIBE Color Changeable Dimmable LED Ceiling light

JAL45-10-12W-C3

JAL45-10-12W-P3





# Introduction



With high performance(Dimmable, Non-dimmable, Emergency, Sensor, DIP function ). Easy to install: labor-saver( quick terminal block design) , Connect in series(Opening wiring and concealed wiring are optional). IP65, IK10. Easier maintenance, as the driver can be replaced easily, different standard drivers in the market can be matched.

- C3 model: Color Switchable+ non-dimmable
- P3 model: Color Switchable+triac dimmable
- Up to 70% energy saving compared to standard CFL
- Long lifetime of 50,000 hours
- Triac dim
- 120° wide beam angle
- CCT: 3000K 4000K 5000K 5700K
- Environment friendly, without Mercury or any other hazardous substances

## Application notes

- IP65 both for indoor and outdoor use
- Professional electrician for installation only
- Switch off before installation
- Do not touch when in use
- Keep away from hot steam and corrosive gas

## Application Areas

It is designed for general lighting applications in office, supermarket, shop, school, hotel, etc. It is also widely used for public areas, such as stairway, lobby, reception, corridors etc.

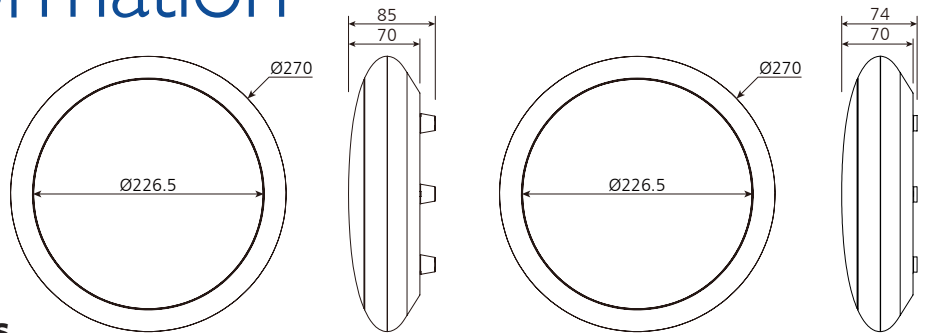
## Certificate

**CE** **RoHS**





# Product Information



## Technical Specifications

Model	Voltage	Power	Power Factor	Lumen (±5%)	Beam angle	CCT	Lifespan	CRI	Dimmable	Dimension
JAL45-10-12W-C3	AC230V	12W	≥0.9	1120	120°	3000K	50000h	≥80	No	Ø270*70mm
				1200		4000K				
				1150		5700K				
JAL45-10-12W-P3	AC230V	12W	≥0.9	1110	120°	3000K	50000h	≥80	Yes	Ø270*70mm
				1220		4000K				
				1190		5700K				

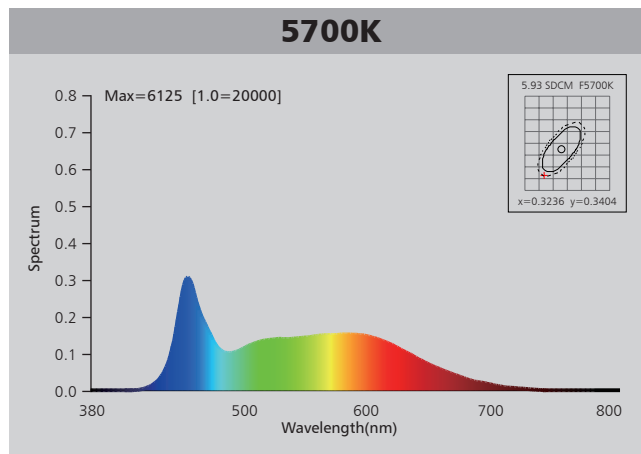
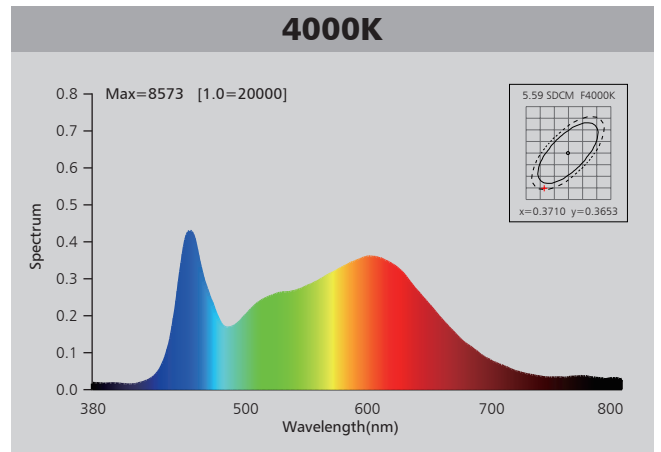
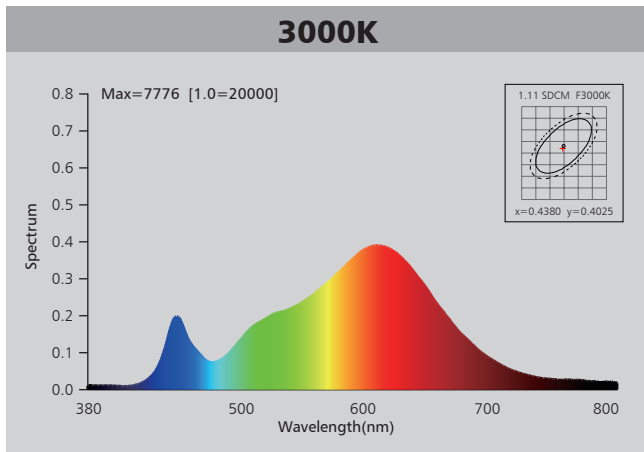
## Driver data Sheet

Driver data	DIM	Non-dim
Input rated Voltage	AC230V	AC230V
Frequency	50Hz	50/60Hz
Input Voltage	AC200-240V	AC200-240V
Efficiency	≥80%	≥82%
No load wattage	≤1W	≤0.5W
Total load Wattage	12W±1W	12W±1W
Power Factor	≥0.9	≥0.9
Rated input current	≤0.07A	≤0.07A
Full load output Voltage	23-40V	25-42V
Rated output current	280mA	300mA
Output current range	280mA±5%	300mA±5%
Power tolerance	±5%	±5%
Current output tolerance	±5%	±5%
Dimming range	8%-100%	—
Dimmer	Triac dimmers	—
Short circuit protection	PASS	PASS
Over voltage protection	PASS	PASS
Over temperature protection	PASS	PASS
THD	≤20%	≤18%
Withstand voltage	AC3750V	AC3750V

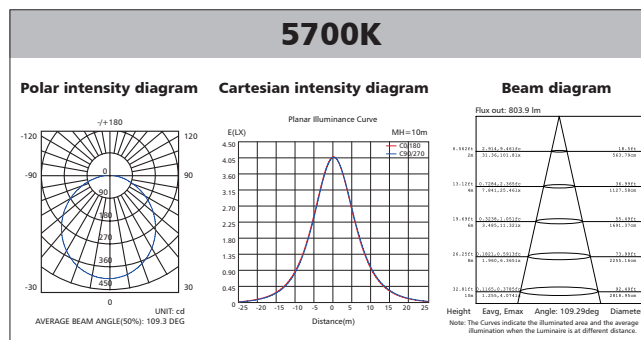
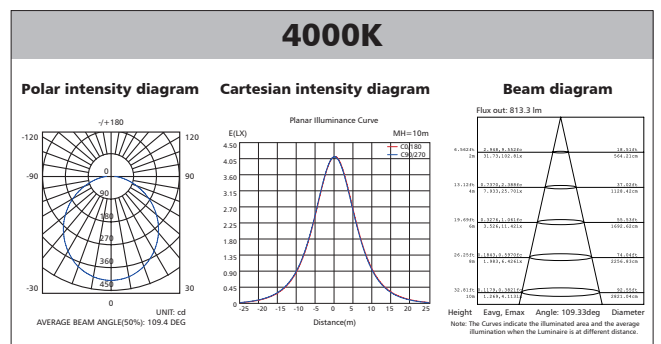
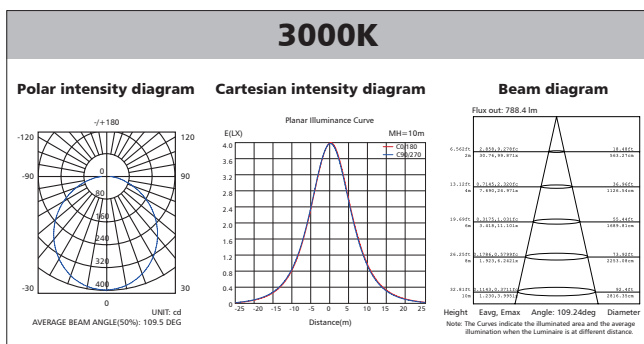
## Fixture Compatibility

Rated Wattage	Electrical Classification	Ingress Protection	Operating Temp	Operating Humidity	Storage Temp
12W	II	IP65	-20°C~45°C	0~90%	-20°C~65°C

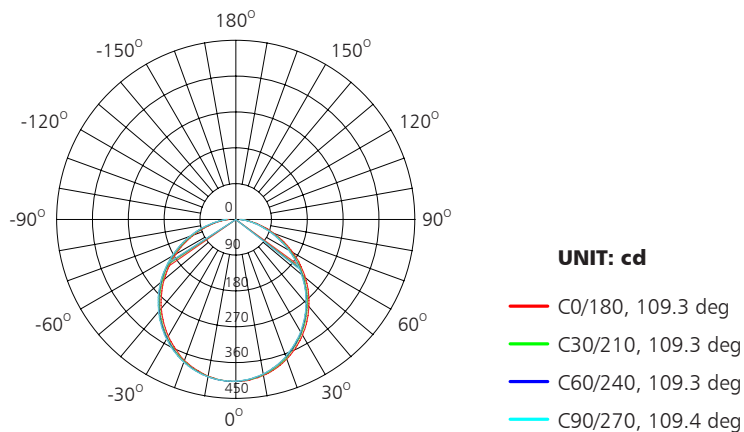
# Spectral Distribution



# Photometric Diagram



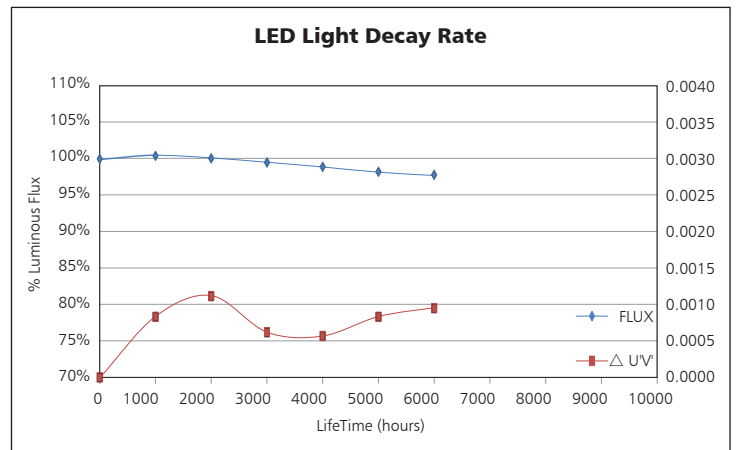
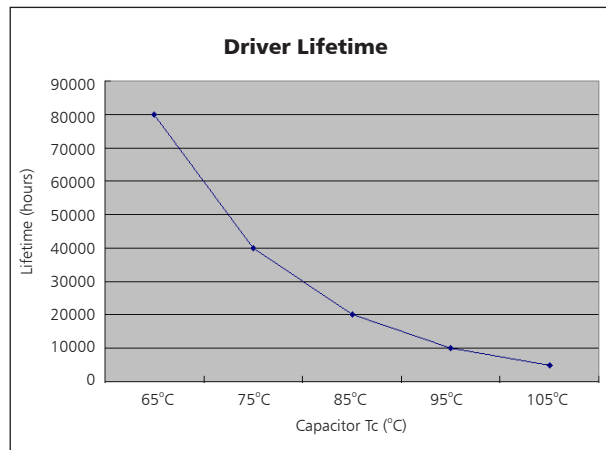
## Polar Diagram Comparison



AVERAGE BEAM ANGLE (50%): 109.3 DEG

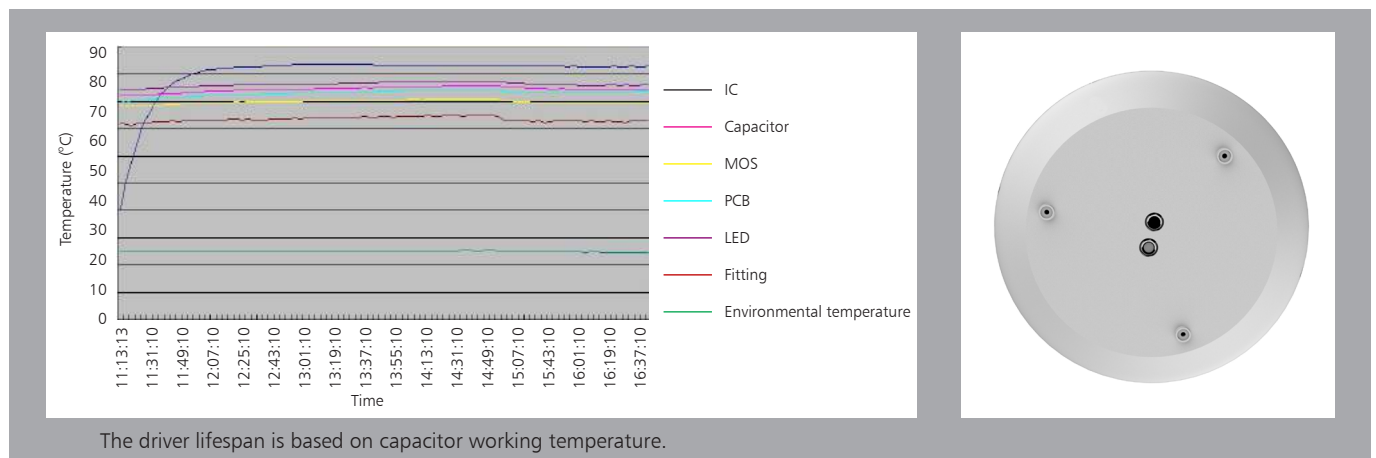


## Driver lifetime & LED light decay rate

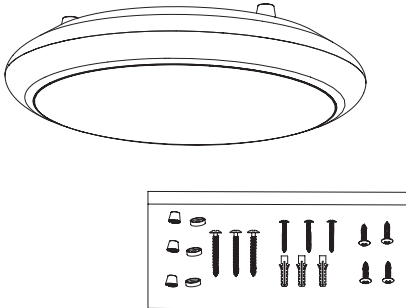
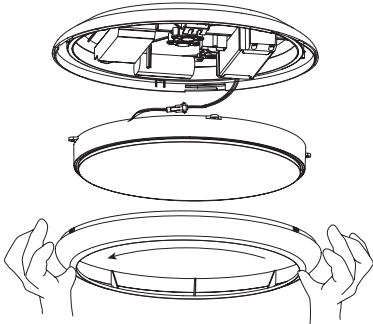
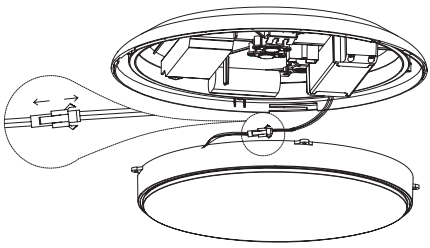
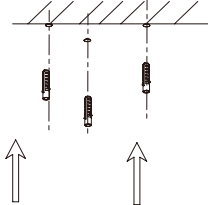
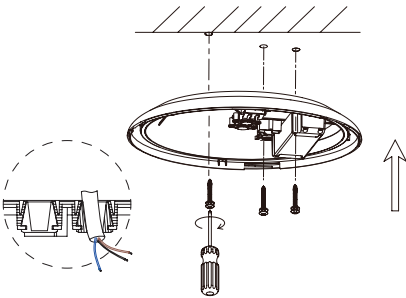
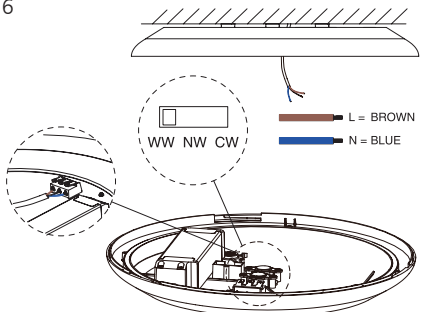
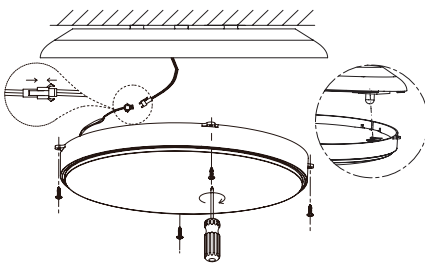
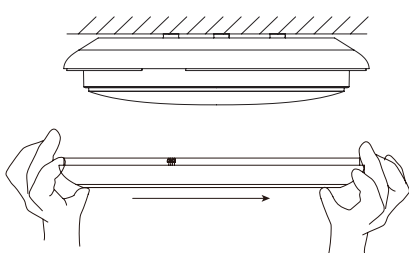
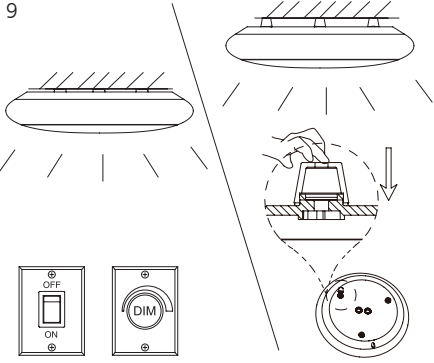


## Temperature

- The testing is operated at 25°C
- The lifetime of capacitor, minimum of 5,000 hours if operated at 105°C, will be doubled whenever the temperature drops 10°C
- The highest withstand temperature of IC, MOS could be 120°C
- The highest withstand temperature of LED junction temperature is 150°C



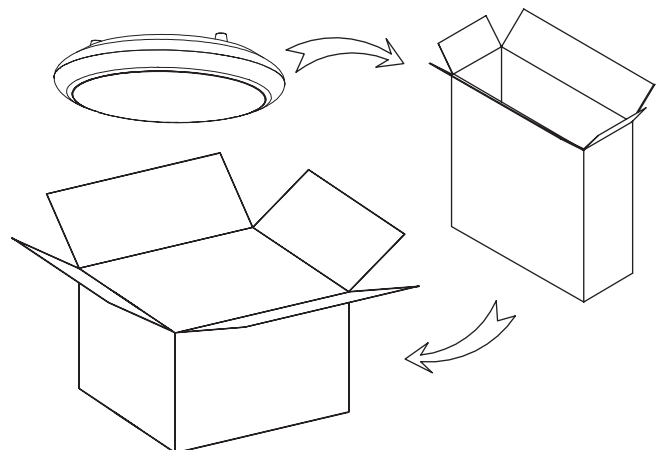
# Installation

<p>1</p>  <p>Take out accessory pack.</p>	<p>2</p>  <p>Unscrew the front frame anticlockwise and take it out, make the frame, diffuser and back housing separately.</p>	<p>3</p>  <p>Disconnect the connection plug.</p>
<p>4</p>  <p>Put the plastic anchor into the ceiling.</p>	<p>5</p>  <p>Make the input wires through entrance hole and waterproof bushing, cover the screws with waterproof washer, fix the back housing by these screws.</p>	<p>6</p>  <p>Please choose the right color temperature with DIP switch if it's the DIP version in dimmable and color changeable.</p>
<p>7</p>  <p>Settle the male and female connectors well and fix the diffuser cover on the back housing by screws.</p>	<p>8</p>  <p>Match the gaps for each part and rotate the frame clockwise.</p>	<p>9</p>  <p>Installation finished, turn on the switch.</p>

## Packaging Information

	SIZE(CM)	N.W/pc (KGS)	G.W.(KGS)	Q'TY(PCS)
Carton	56.5*44*29.5	0.755	10.1	10

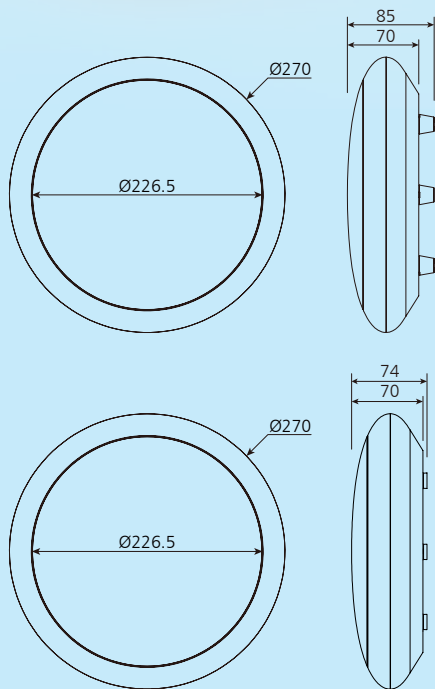
	CTNS	Q'TY(PCS)	VOLUME(CBM)
20" standard container	370	3700	28
40" standard container	750	7500	56





Technical Application  
Guide for JIBE LED  
Ceiling light  
JAL45-10-12W-E

# Introduction



With high performance(Dimmable, Non-dimmable, Emergency, Sensor ). Easy to install: labor-saver( quick terminal block design) , Connect in series(Opening wiring and concealed wiring are optional). IP40, IK10. Easier maintenance, as the driver can be replaced easily, different standard drivers in the market can be matched.

- Up to 70% energy saving compared to standard CFL
- Long lifetime of 50,000 hours
- 120° wide beam angle
- CCT: 3000K 4000K 5000K 5700K
- No UV/IR light
- Environment friendly, without Mercury or any other hazardous substances
- Anti-UV housing

## Emergency

Smart IC control.

- ◆ Emergency function switches automatically between power cut and power restoration.
- ◆ Li battery, high efficiency
- ◆ Battery duration: 3 hours@4W
- ◆ Charge period: 24 hours

## Application notes

- Professional electrician for installation only
- Switch off before installation
- Do not touch when in use
- Keep away from hot steam and corrosive gas

## Application Areas

It is designed for general lighting applications in office, supermarket, shop, school, hotel, etc. It is also widely used for public areas, such as stairway, lobby, reception, corridors etc.

## Certificate

CE RoHS





# Product Information

## Technical Specifications

Model	Voltage	Power	Power Factor	Lumen (±5%)	Beam angle	CCT	Lifespan	CRI	Dimmable	Dimension
JAL45-10-12W-E	AC230V	12W	≥0.9	1190	120°	3000K	50000h	≥80	No	Ø270*70mm
JAL45-10-12W-E	AC230V	12W	≥0.9	1280	120°	4000K	50000h	≥80	No	Ø270*70mm
JAL45-10-12W-E	AC230V	12W	≥0.9	1200	120°	5000K	50000h	≥80	No	Ø270*70mm
JAL45-10-12W-E	AC230V	12W	≥0.9	1200	120°	5700K	50000h	≥80	No	Ø270*70mm

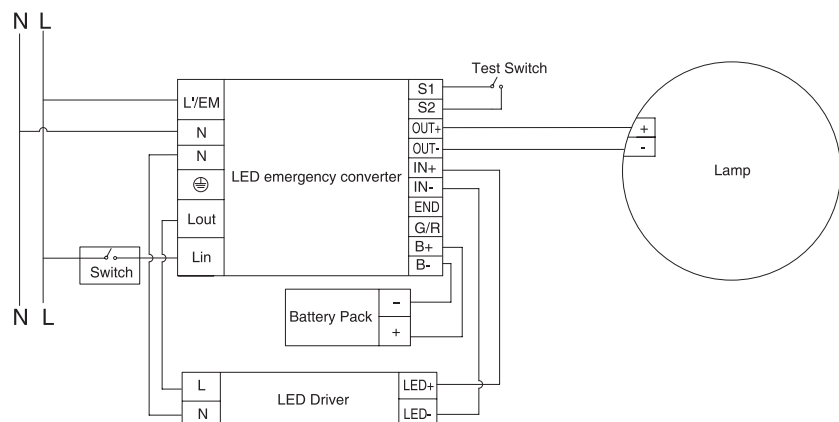
## Driver data Sheet

Driver data	Emergency	Main Power
Input rated Voltage	AC230V	AC230V
Frequency	50/60Hz	50/60Hz
Input Voltage	AC200-240V	AC200-240V
Efficiency	≥80%	≥82%
No load wattage	—	≤0.5W
Total load Wattage	3.5W±0.5W	12W±1W
Power Factor	≥0.75	≥0.9
Rated input current	≤0.03A	≤0.07A
Full load output Voltage	DC25-68V	DC25-42V
Rated output current	150-40mA	300mA
Output current range	150-40mA	300mA±5%
Power tolerance	±5%	±5%
Current output tolerance	±5%	±5%
Battery duration	>3h	—
Charge Period	<24h	—
Short circuit protection	PASS	PASS
Over voltage protection	PASS	PASS
Over temperature protection	PASS	PASS
THD	—	≤18%
Withstand voltage	—	AC3750V

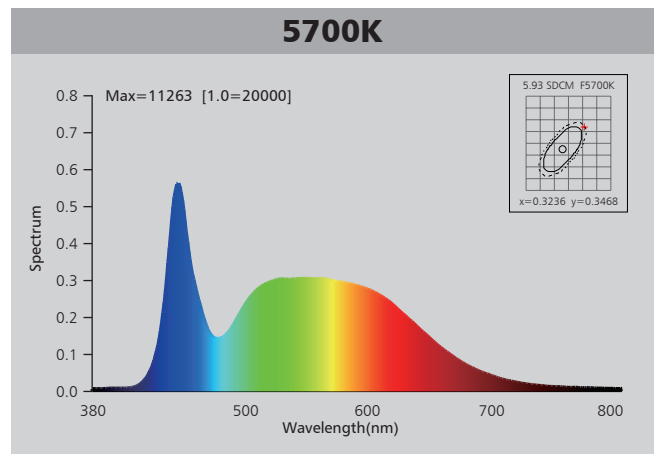
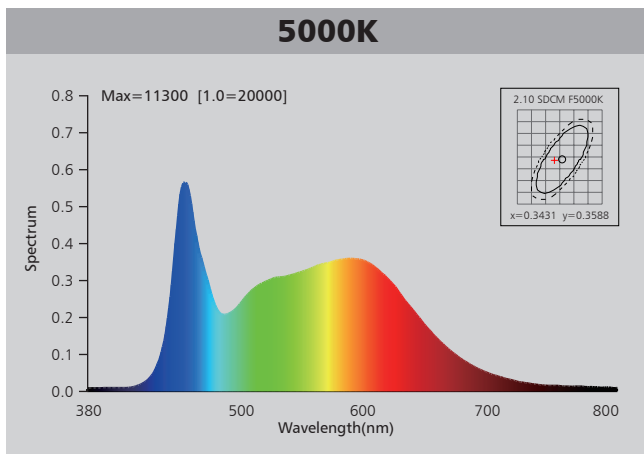
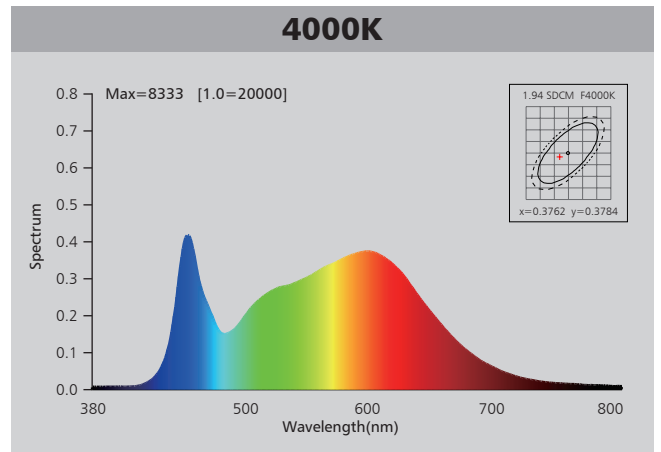
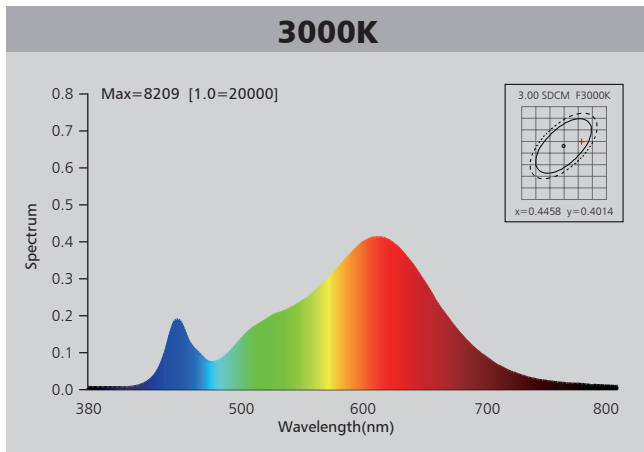
## Fixture Compatibility

Rated Wattage	Electrical Classification	Ingress Protection	Operating Temp	Operating Humidity	Storage Temp
12W	II	IP40	-20°C~45°C	0~90%	-20°C~65°C

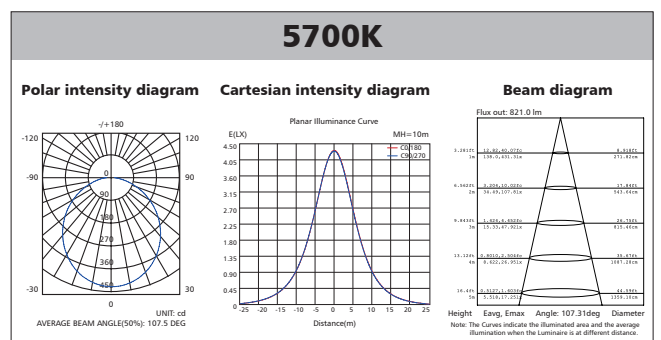
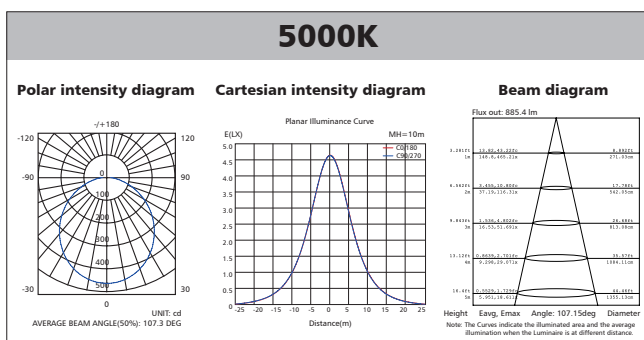
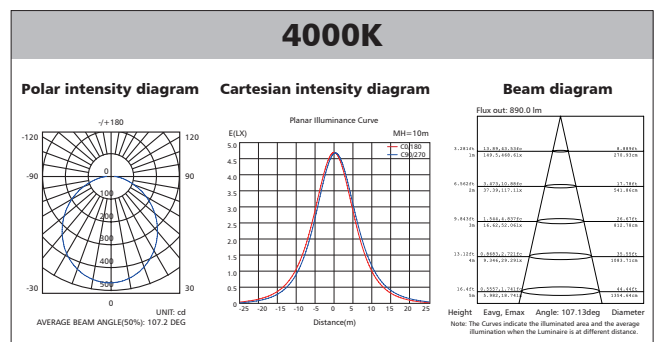
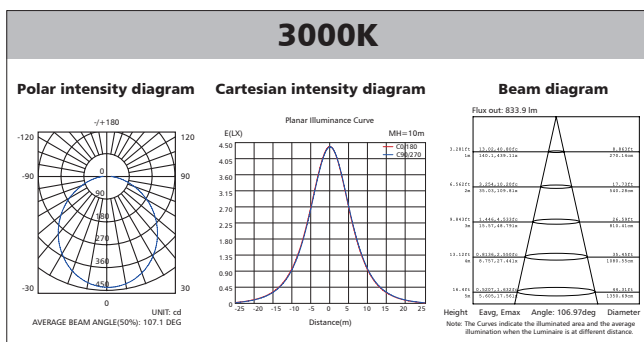
## Wiring Diagram:



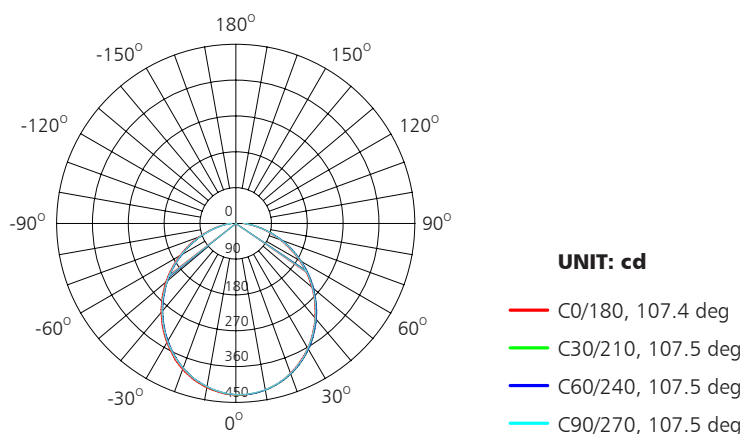
# Spectral Distribution



# Photometric Diagram



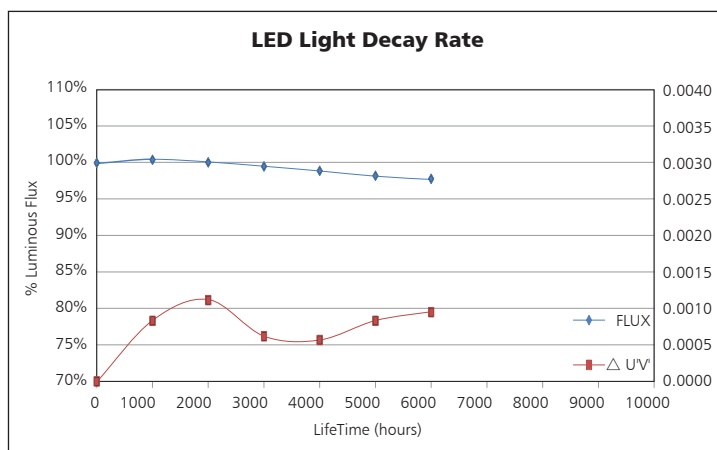
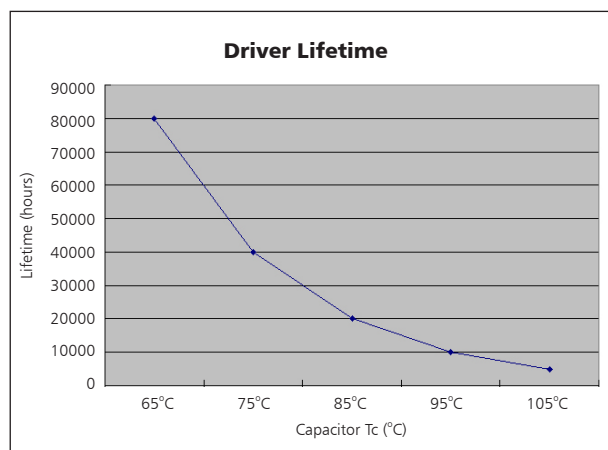
## Polar Diagram Comparison



AVERAGE BEAM ANGLE (50%): 107.5 DEG

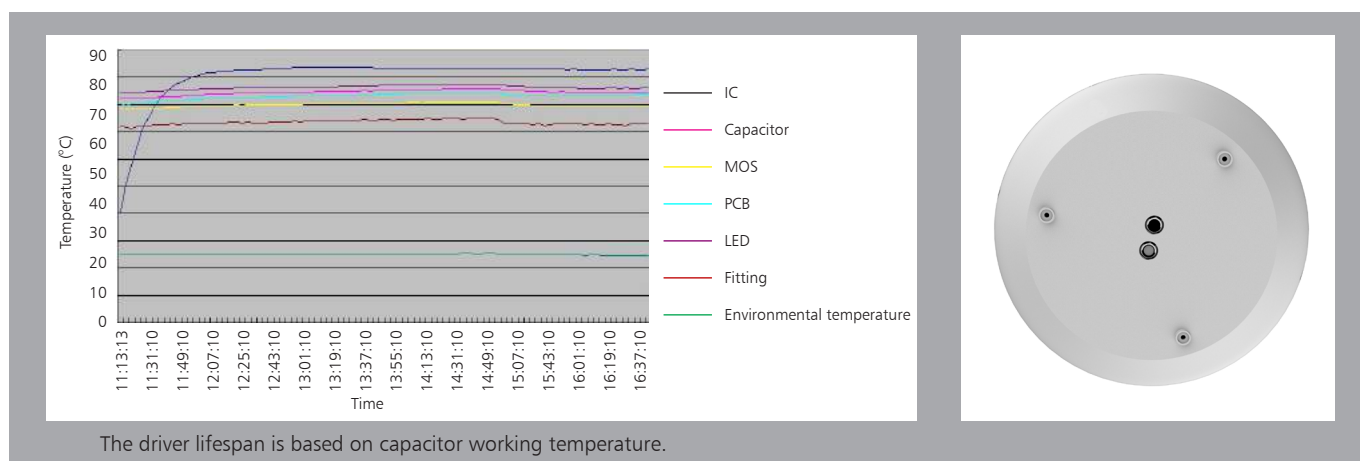


## Driver lifetime & LED light decay rate

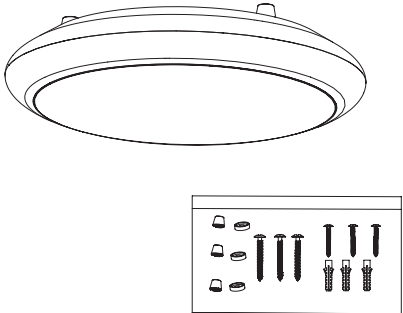
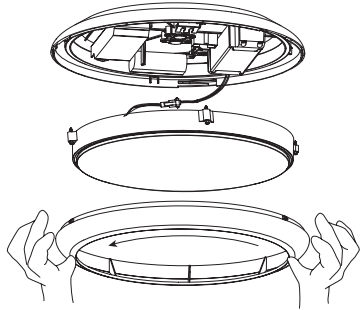
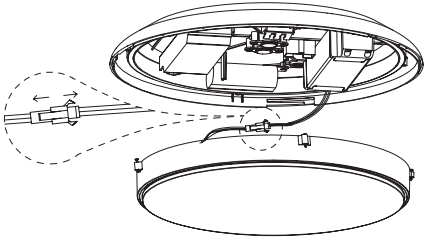
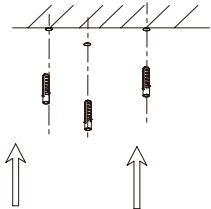
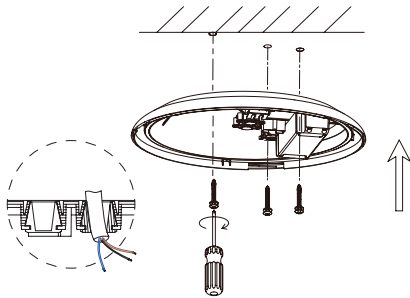
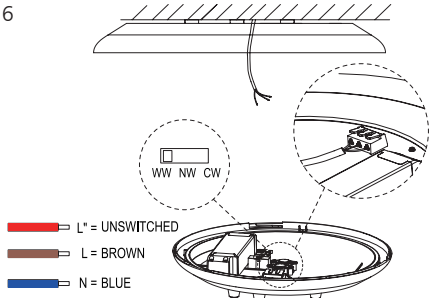
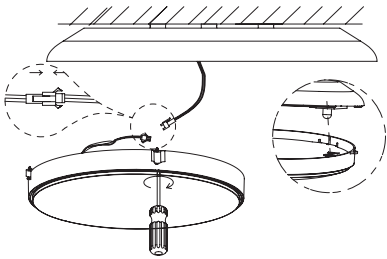
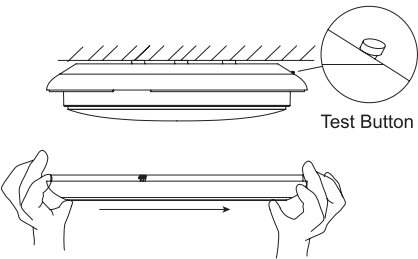
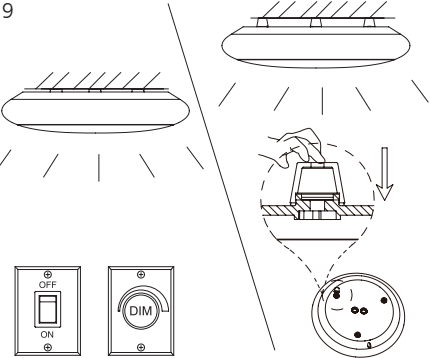


## Temperature

- The testing is operated at 25°C
- The lifetime of capacitor, minimum of 5,000 hours if operated at 105°C, will be doubled whenever the temperature drops 10°C
- The highest withstand temperature of IC, MOS could be 120°C
- The highest withstand temperature of LED junction temperature is 150°C



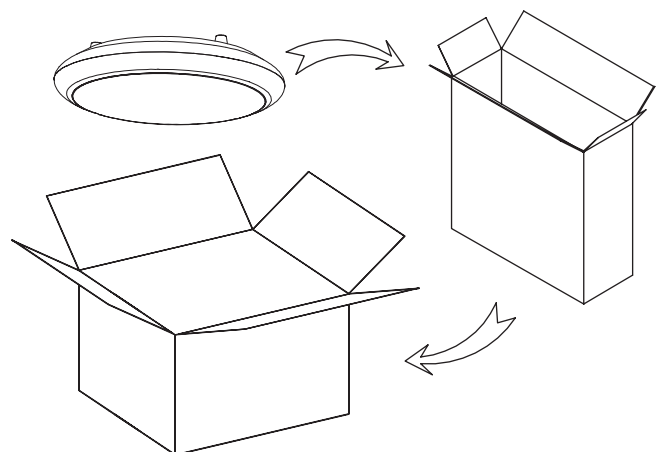
# Installation

<p>1</p>  <p>Take out accessory pack.</p>	<p>2</p>  <p>Unscrew the front frame anticlockwise and take it out, make the frame, diffuser and back housing separately.</p>	<p>3</p>  <p>Disconnect the connection plug.</p>
<p>4</p>  <p>Put the plastic anchor into the ceiling.</p>	<p>5</p>  <p>Make the input wires through entrance hole and waterproof bushing, cover the screws with waterproof washer, fix the back housing by these screws.</p>	<p>6</p>  <p> <span style="color: red;">—</span> L' = UNSWITCHED  <span style="color: brown;">—</span> L = BROWN  <span style="color: blue;">—</span> N = BLUE         </p> <p>If with DIP function, slide the requested CCT on DIP switch.          If with emergency function, connect the emergency signal cable to terminal L'.</p>
<p>7</p>  <p>Settle the male and female connectors well and fix the diffuser cover on the back housing by screws.</p>	<p>8</p>  <p>Match the gaps for each part and rotate the frame clockwise.</p>	<p>9</p>  <p>Installation finished, turn on the switch.</p>

# Packaging Information

	SIZE(CM)	N.W/pc (KGS)	G.W.(KGS)	Q'TY(PCS)
Carton	56.5*44*29.5	0.755	10.1	10

	CTNS	Q'TY(PCS)	VOLUME(CBM)
20" standard container	370	3700	28
40" standard container	750	7500	56

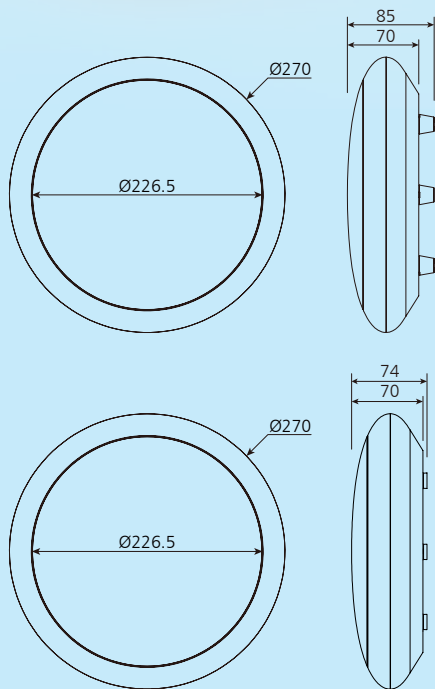




Technical Application  
Guide for JIBE LED  
Ceiling light

JAL45-10-12W-E

# Introduction



With high performance(Dimmable, Non-dimmable, Emergency, Sensor ). Easy to install: labor-saver( quick terminal block design) , Connect in series(Opening wiring and concealed wiring are optional). IP40, IK10. Easier maintenance, as the driver can be replaced easily, different standard drivers in the market can be matched.

- Up to 70% energy saving compared to standard CFL
- Long lifetime of 50,000 hours
- 120° wide beam angle
- CCT: 3000K 4000K 5000K 5700K
- No UV/IR light
- Environment friendly, without Mercury or any other hazardous substances
- Anti-UV housing

## Emergency

Smart IC control.

- ◆ Emergency function switches automatically between power cut and power restoration.
- ◆ Li battery, high efficiency
- ◆ Battery duration: 3 hours@4W
- ◆ Charge period: 24 hours

## Application notes

- Professional electrician for installation only
- Switch off before installation
- Do not touch when in use
- Keep away from hot steam and corrosive gas

## Application Areas

It is designed for general lighting applications in office, supermarket, shop, school, hotel, etc. It is also widely used for public areas, such as stairway, lobby, reception, corridors etc.

## Certificate

CE RoHS





# Product Information

## Technical Specifications

Model	Voltage	Power	Power Factor	Lumen (±5%)	Beam angle	CCT	Lifespan	CRI	Dimmable	Dimension
JAL45-10-12W-E	AC230V	12W	≥0.9	1190	120°	3000K	50000h	≥80	No	Ø270*70mm
JAL45-10-12W-E	AC230V	12W	≥0.9	1280	120°	4000K	50000h	≥80	No	Ø270*70mm
JAL45-10-12W-E	AC230V	12W	≥0.9	1200	120°	5000K	50000h	≥80	No	Ø270*70mm
JAL45-10-12W-E	AC230V	12W	≥0.9	1200	120°	5700K	50000h	≥80	No	Ø270*70mm

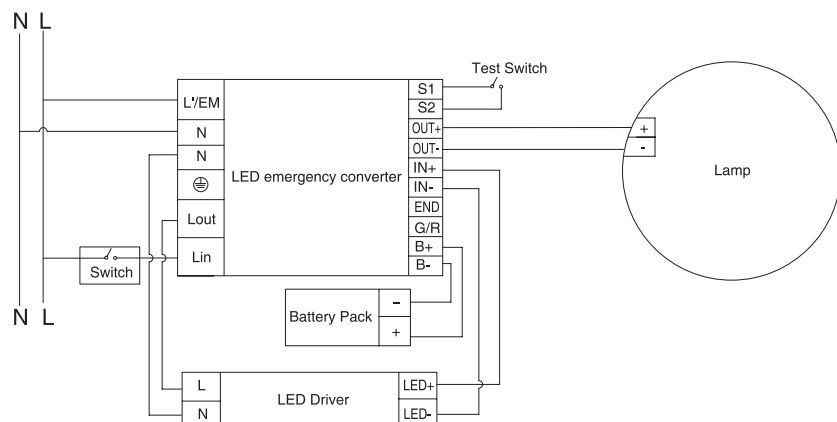
## Driver data Sheet

Driver data	Emergency	Main Power
Input rated Voltage	AC230V	AC230V
Frequency	50/60Hz	50/60Hz
Input Voltage	AC200-240V	AC200-240V
Efficiency	≥80%	≥82%
No load wattage	—	≤0.5W
Total load Wattage	3.5W±0.5W	12W±1W
Power Factor	≥0.75	≥0.9
Rated input current	≤0.03A	≤0.07A
Full load output Voltage	DC25-68V	DC25-42V
Rated output current	150-40mA	300mA
Output current range	150-40mA	300mA±5%
Power tolerance	±5%	±5%
Current output tolerance	±5%	±5%
Battery duration	>3h	—
Charge Period	<24h	—
Short circuit protection	PASS	PASS
Over voltage protection	PASS	PASS
Over temperature protection	PASS	PASS
THD	—	≤18%
Withstand voltage	—	AC3750V

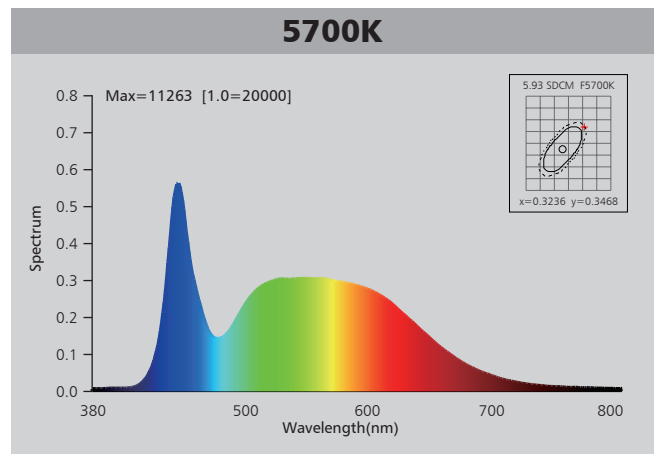
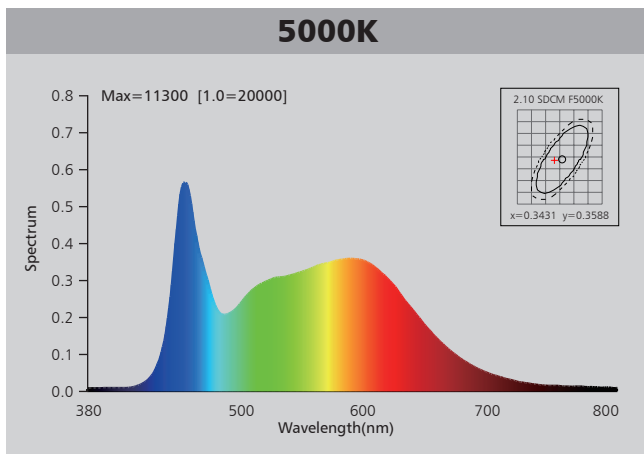
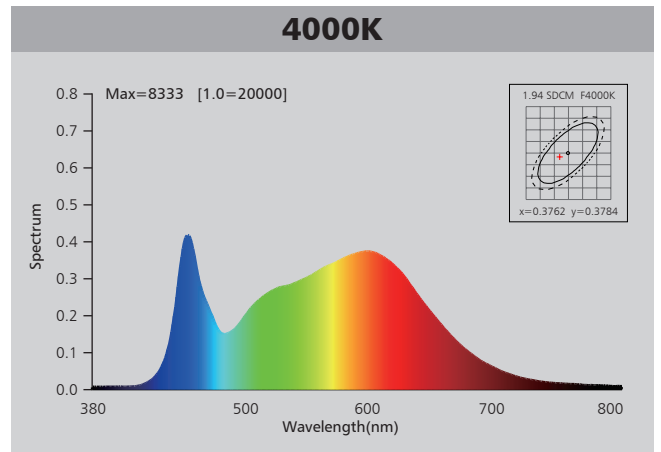
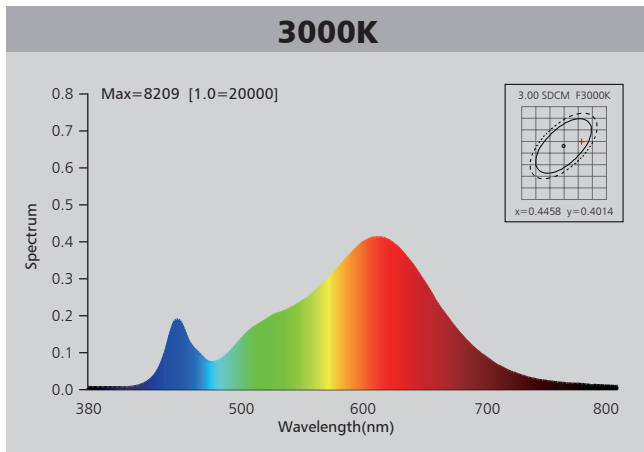
## Fixture Compatibility

Rated Wattage	Electrical Classification	Ingress Protection	Operating Temp	Operating Humidity	Storage Temp
12W	II	IP40	-20°C~45°C	0~90%	-20°C~65°C

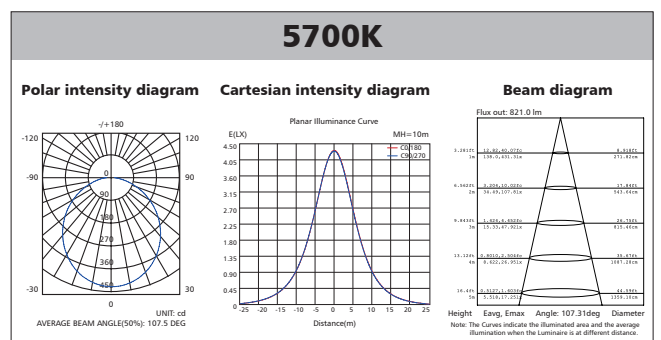
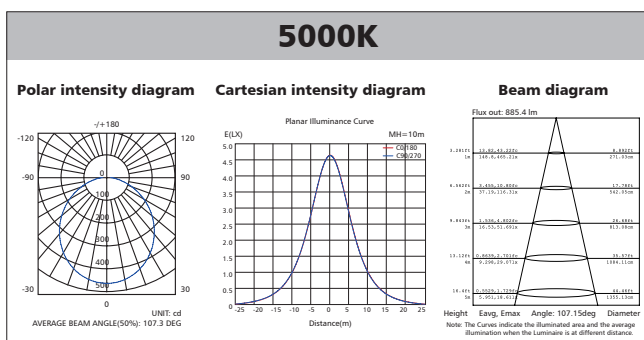
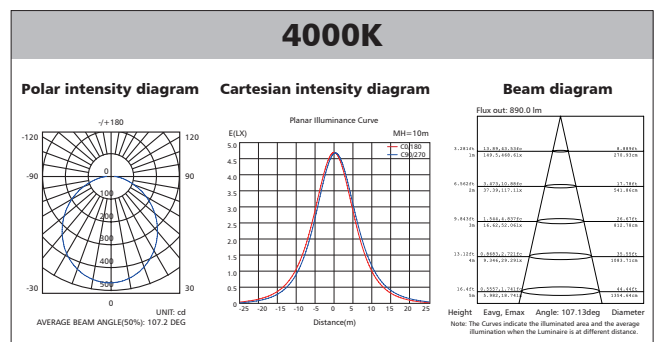
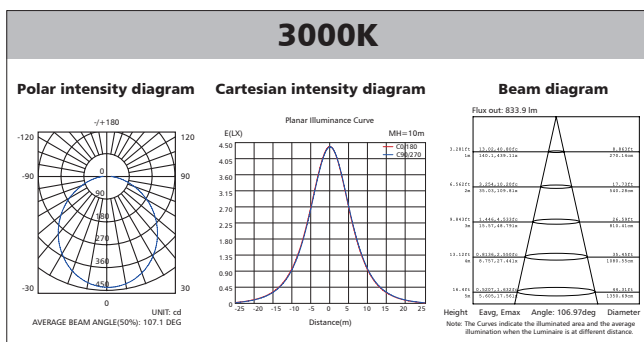
## Wiring Diagram:



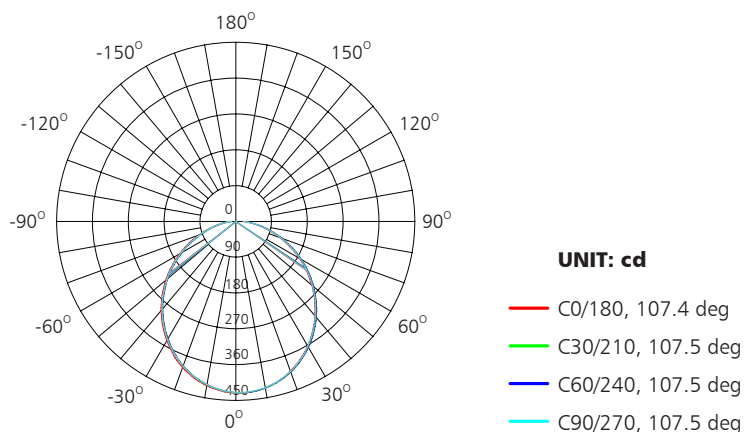
# Spectral Distribution



# Photometric Diagram



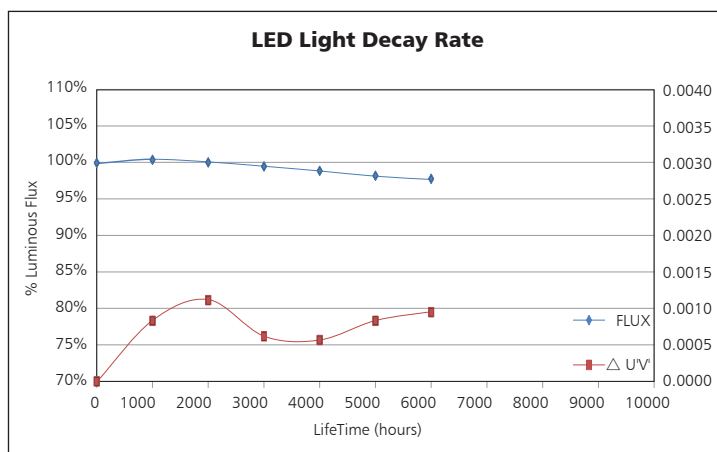
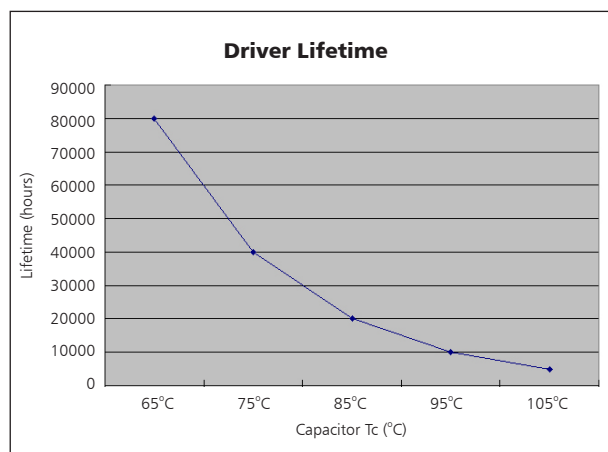
## Polar Diagram Comparison



AVERAGE BEAM ANGLE (50%): 107.5 DEG

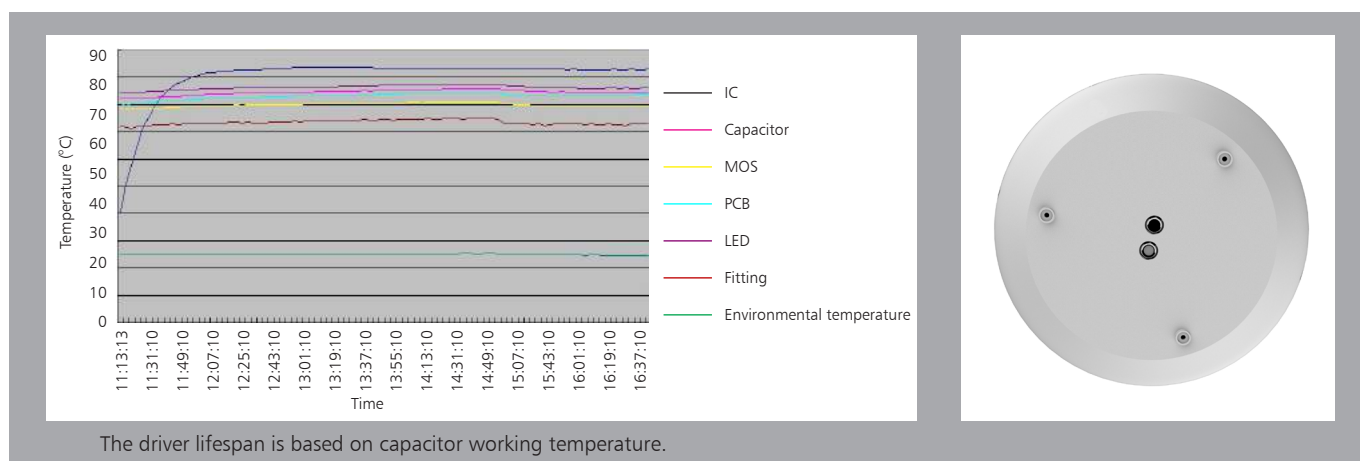


## Driver lifetime & LED light decay rate

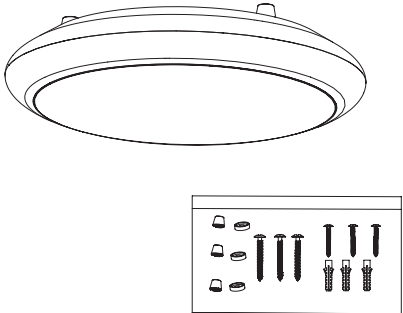
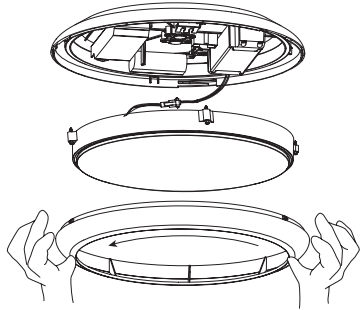
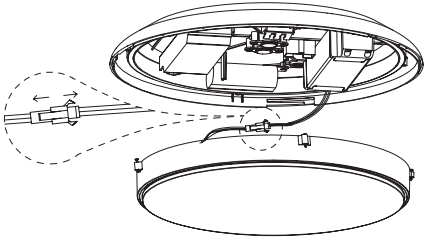
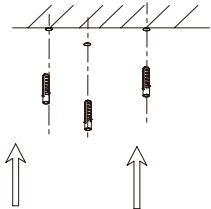
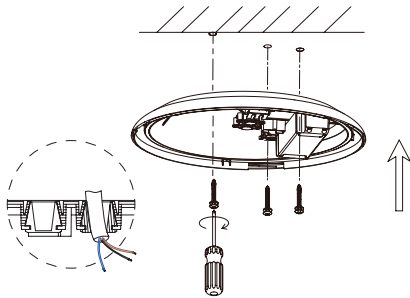
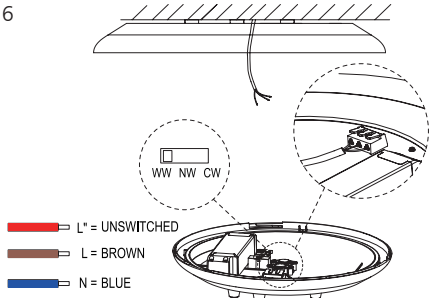
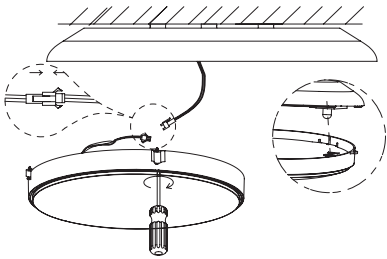
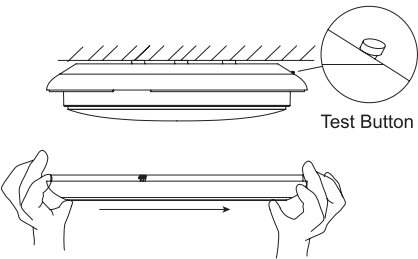
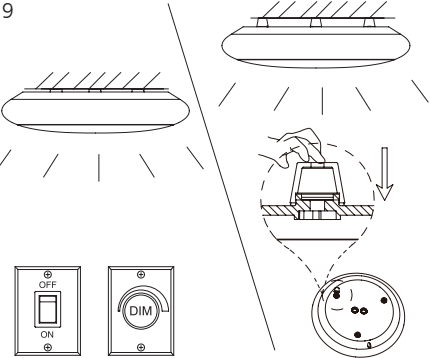


## Temperature

- The testing is operated at 25°C
- The lifetime of capacitor, minimum of 5,000 hours if operated at 105°C, will be doubled whenever the temperature drops 10°C
- The highest withstand temperature of IC, MOS could be 120°C
- The highest withstand temperature of LED junction temperature is 150°C



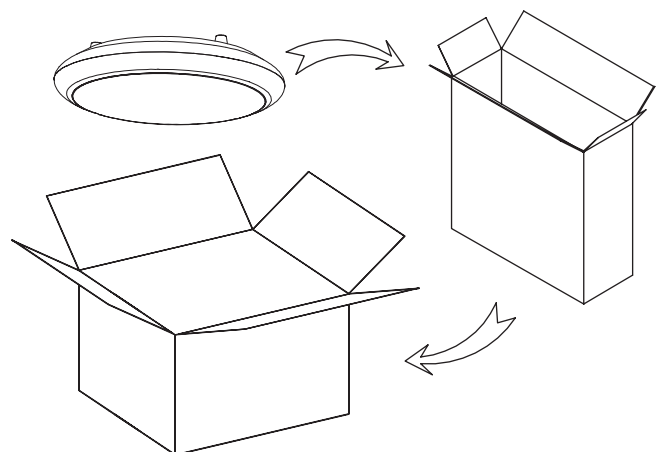
# Installation

<p>1</p>  <p>Take out accessory pack.</p>	<p>2</p>  <p>Unscrew the front frame anticlockwise and take it out, make the frame, diffuser and back housing separately.</p>	<p>3</p>  <p>Disconnect the connection plug.</p>
<p>4</p>  <p>Put the plastic anchor into the ceiling.</p>	<p>5</p>  <p>Make the input wires through entrance hole and waterproof bushing, cover the screws with waterproof washer, fix the back housing by these screws.</p>	<p>6</p>  <p> <span style="color: red;">—</span> L' = UNSWITCHED  <span style="color: brown;">—</span> L = BROWN  <span style="color: blue;">—</span> N = BLUE         </p> <p>If with DIP function, slide the requested CCT on DIP switch.          If with emergency function, connect the emergency signal cable to terminal L'.</p>
<p>7</p>  <p>Settle the male and female connectors well and fix the diffuser cover on the back housing by screws.</p>	<p>8</p>  <p>Match the gaps for each part and rotate the frame clockwise.</p>	<p>9</p>  <p>Installation finished, turn on the switch.</p>

# Packaging Information

	SIZE(CM)	N.W/pc (KGS)	G.W.(KGS)	Q'TY(PCS)
Carton	56.5*44*29.5	0.755	10.1	10

	CTNS	Q'TY(PCS)	VOLUME(CBM)
20" standard container	370	3700	28
40" standard container	750	7500	56





Technical Application  
Guide for JIBE LED  
Ceiling light  
JAL45-10-12W-SS

## Introduction

With high performance(Non-dimmable, Emergency, Sensor, Sensor+Emergency). Easy to install: labor-saver( quick terminal block design) , Connect in series(Opening wiring and concealed wiring are optional). IP65, IK10. Easier maintenance, as the driver can be replaced easily, different standard drivers in the market can be matched.

- Up to 70% energy saving compared to standard CFL
- Long lifetime of 50,000 hours
- 120° wide beam angle
- CCT: 3000K 4000K 5000K 5700K
- No UV/IR light
- Environment friendly, without Mercury or any other hazardous substances

## Application notes

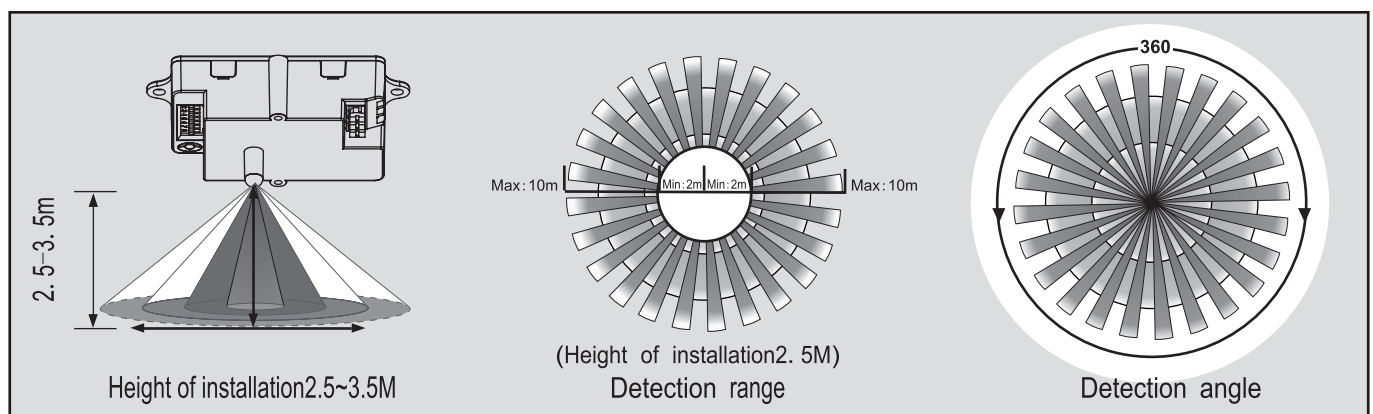
- IP65 both for indoor and outdoor use
- Professional electrician for installation only
- Switch off before installation
- Do not touch when in use
- Keep away from hot steam and corrosive gas

## Application Areas

It is designed for general lighting applications in office, supermarket, shop, school, hotel, etc. It is also widely used for public areas, such as stairway, lobby, reception, corridors etc.



## SENSOR INFORMATION





## Sensor Setting



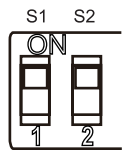
### Default setting

SENS:10M TIME:10S LUX:10lux



SK605B	
Operating voltage	220~240Vac, 50/60Hz
Transmission power	<0.2mW
Rated load	1200W/5A,Max,tungsten(cosφ=1) 600W/2.5A,Max,fluorescent(cosφ=0.5)
HF system	5.8GHz CW electric wave, ISM band
Detection angle	360°
Detection range	2m/5m/8m/10m(radii).(adjustable)
Time setting	10sec±3sec/1min±10sec/5min±30sec/ 10min±1min/15min±1min/20min±2min/ 25min±2min/30min±3min(adjustable)
Light-control	Disable/10LUX/20LUX/50LUX/100LUX/200LUX/ 300LUX/500LUX(adjustable)
Installation sit	indoors, ceiling mounting
Working temperature	-15°C ~+70°C
Power consumption	approx. 0.5W

## Detection range setting (sensitivity)



SENS: S1, S2

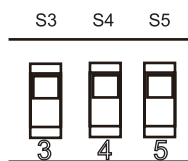
S1	S2	detection range
0	0	2m
0	1	5m
1	0	8m
1	1	10m

Detection range is the term used to describe the radii of the more or less circular detection zone produced on the ground after mounting the sensor loght at a height of 2.5m, pull switch to the ON position as "1", pull switch to the OFF position as "0", switch location and detection range of the corresponding table is as follows:

**Note:** the above detection range is gained if the detected person is between 1.6m~1.7m tall with middle figure and moves at a speed of 1.0~1.5m/sec. if person's stature, figure and moving speed change, the detection distance will also change.

**ATTENTION:** When use thes product, please adjust the sensitivity to an appropriate position you need, please do not adjust the sensitivity to maximum, in case the product works abnormally because of wrong motion detection, including blowing leaves & curtains small animals, or even power grid & electrical equipment. All the above factors can lead to abnormal work. When the product does not work normally, please try to lower the sensitivity appropriately, and then test it.

## Time setting



SENS: S3, S4, S5

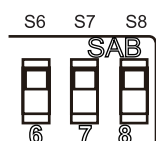
S3	S4	S5	TIME
0	0	0	10s
0	0	1	1min
0	1	0	5min
0	1	1	10min
1	0	0	15min
1	0	1	20min
1	1	0	25min
1	1	1	30min

The light can be set to stay ON for any period of time between approx. 10sec and a maximum of 30min. Any movement detected before this time elapse will re-start the timer. It is recommended to select the shortest time for adjusting the detection zone and for performing the walk test.

Pull switch to the ON position as "1", pull switch to the OFF position as "0", switch location and detection range of the corresponding table is as follows:

**NOTE:** after the light switches OFF, it takes approx. 4sec before it is able to start detecting movement again. The light will only switch on in response to movement once this period has elapsed.

## Light-control setting



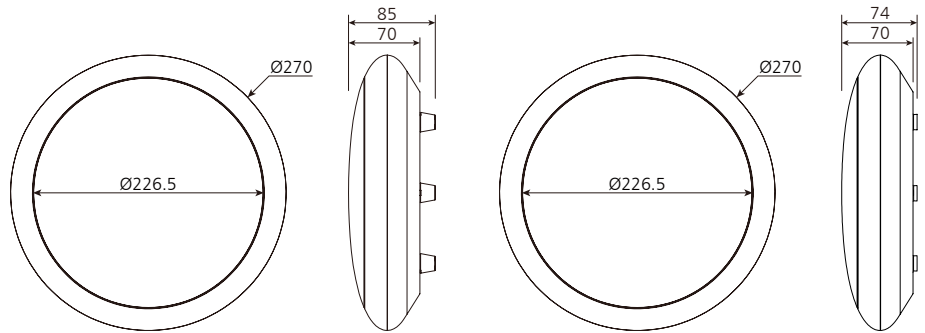
LUX: S6, S7, S8

S6	S7	S8	LUX
0	0	0	24H
0	0	1	10LUX
0	1	0	20LUX
0	1	1	50LUX
1	0	0	100LUX
1	0	1	200LUX
1	1	0	300LUX
1	1	1	500LUX

The chosen light response threshold can be infinitely from approx. 10-500lux, pull switch to the ON position as "1", pull switch to the OFF position as "0", switch location and light-control of the corresponding table is as follows:

Disable

# Product Information



## Technical Specifications

Model	Voltage	Power	Power Factor	Lumen (±5%)	CCT	Beam angle	Lifespan	CRI	Dimmable	Dimension
JAL45-10-12W-SS	AC230V	12W	≥0.9	1190	3000K	120°	50,000h	≥80	No	Ø270*70mm
				1280	4000K					
				1200	5000K					
				1200	5700K					

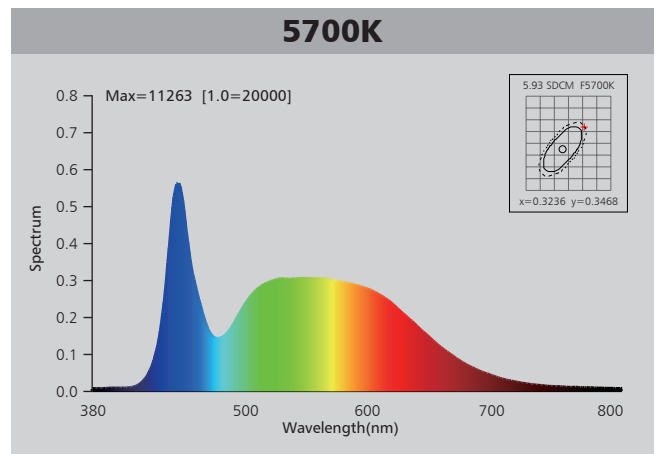
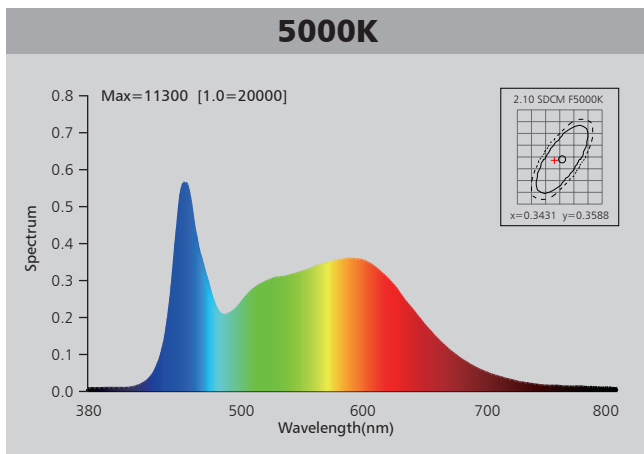
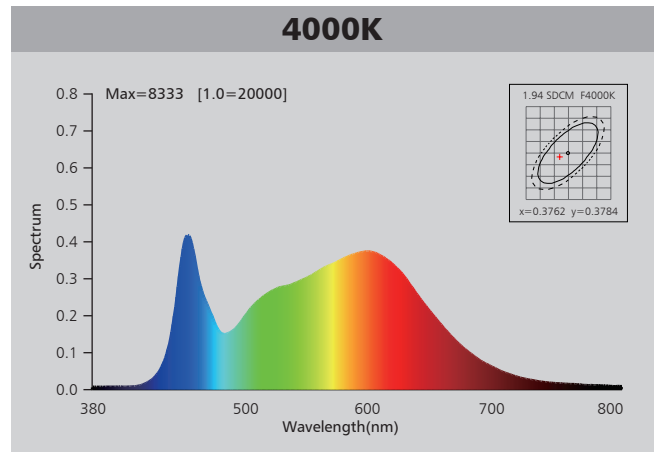
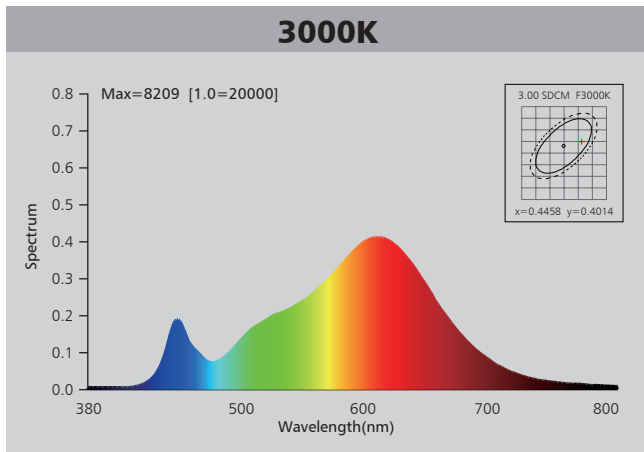
## Driver data Sheet

Driver data	Sensor	Main Power
Input rated Voltage	AC230V	AC230V
Frequency	50Hz	50/60Hz
Input Voltage	AC200-240V	AC200-240V
Efficiency	—	≥82%
No load wattage	—	≤0.5W
Total load Wattage	2W±0.5W	12W±1W
Power Factor	0.5	≥0.9
Rated input current	≤0.02A	≤0.07A
Full load output Voltage	—	DC25-42V
Rated output current	—	300mA
Output current range	—	300mA±5%
Power tolerance	—	±5%
Current output tolerance	—	±5%
Hold time	10S/1Min/5Min/10Min/15Min/25Min/30Min	—
Detection distance	2m/5m/8m/10m	—
Daylight Sensor	10/20/50/100/200/300/500LUX	—
Short circuit protection	—	PASS
Over voltage protection	—	PASS
Over temperature protection	—	PASS
THD	—	≤18%
Withstand voltage	—	AC3750V

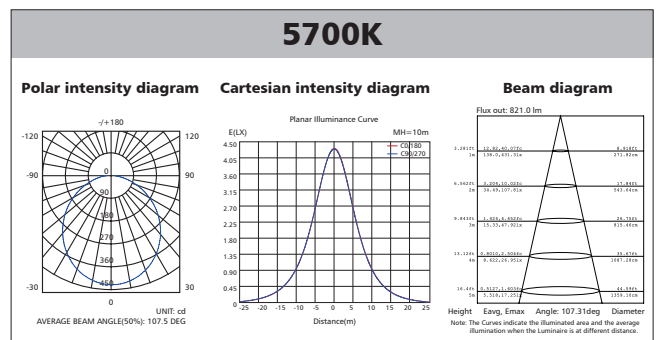
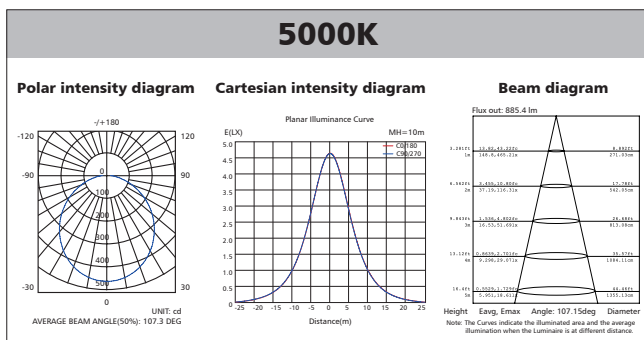
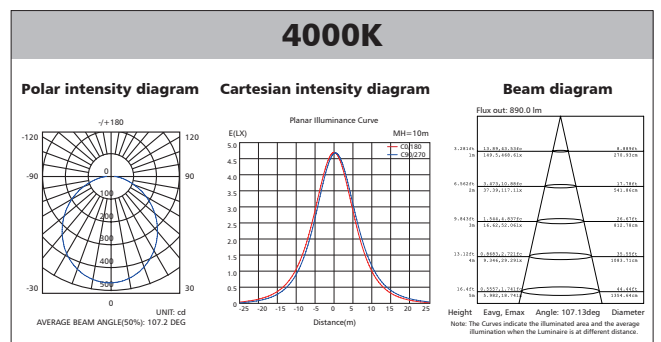
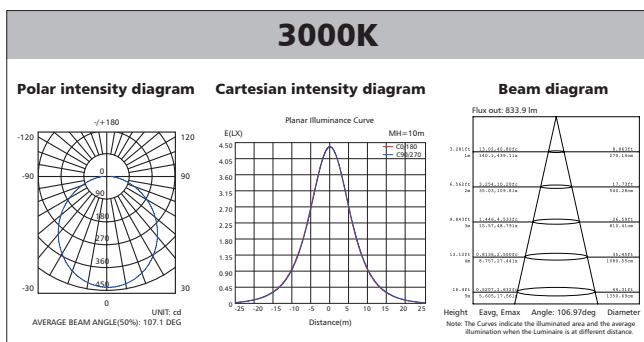
## Fixture Compatibility

Rated Wattage	Electrical Classification	Ingress Protection	Operating Temp	Operating Humidity	Storage Temp
12W	II	IP65	-20°C~45°C	0~90%	-20°C~65°C

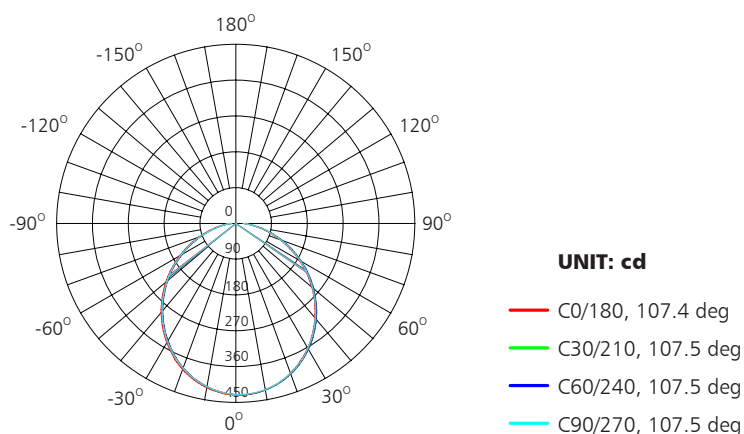
# Spectral Distribution



# Photometric Diagram



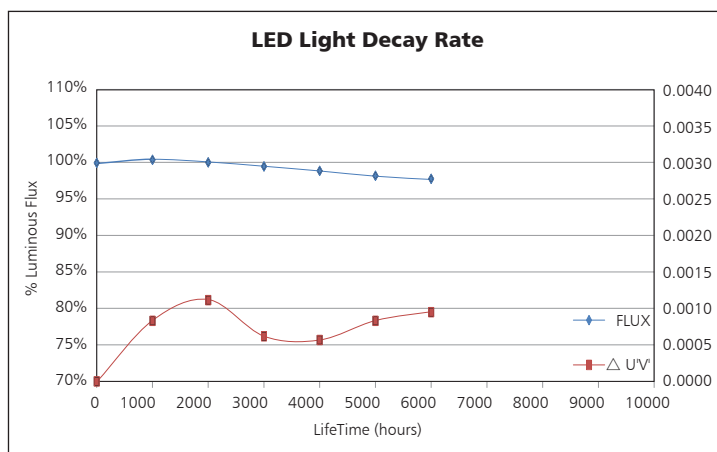
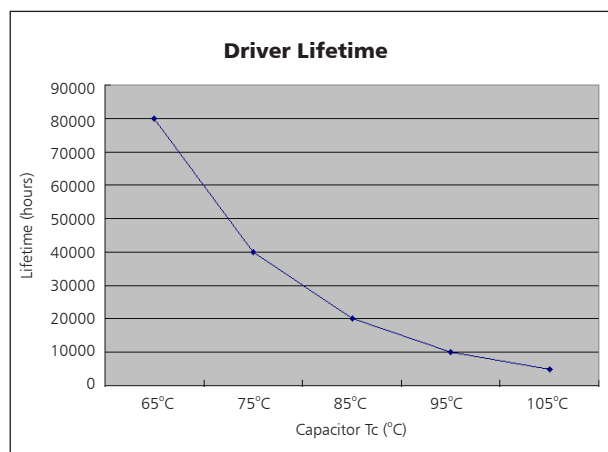
## Polar Diagram Comparison



AVERAGE BEAM ANGLE (50%): 107.5 DEG

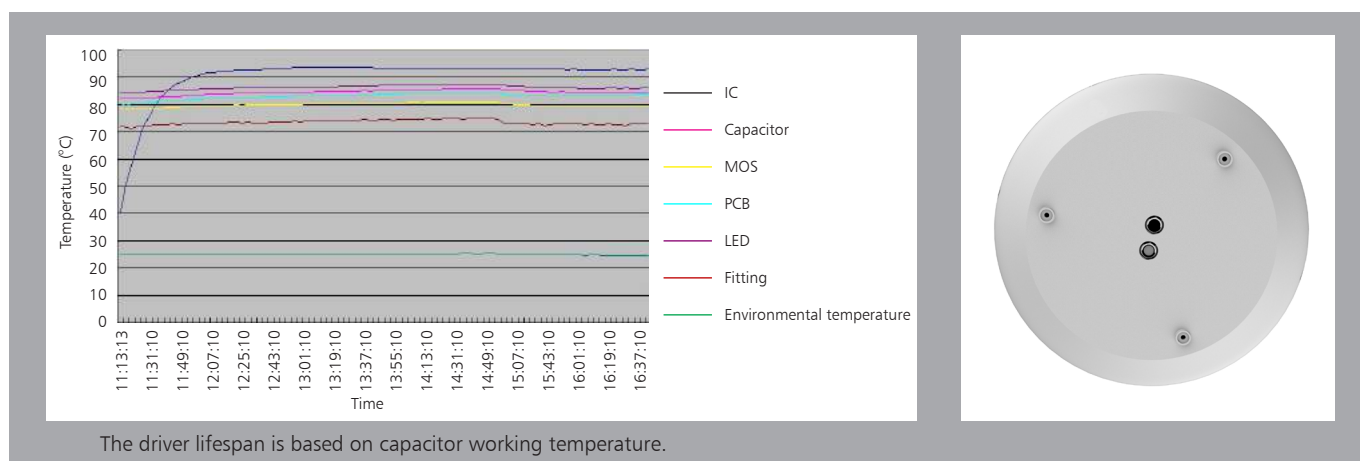


## Driver lifetime & LED light decay rate

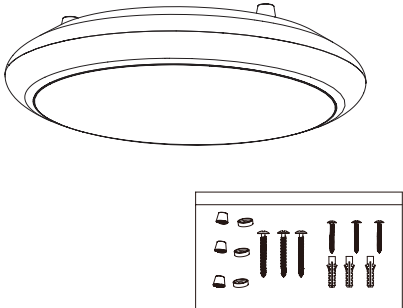
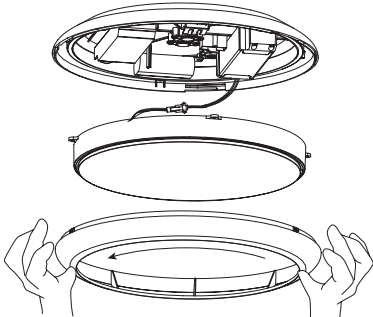
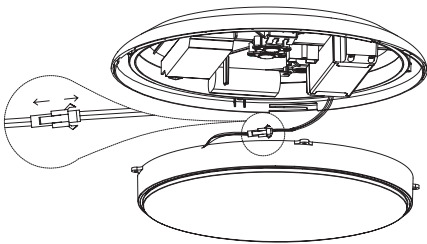
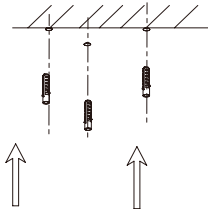
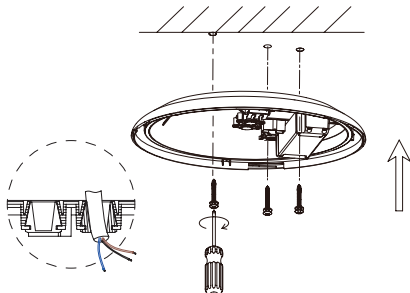
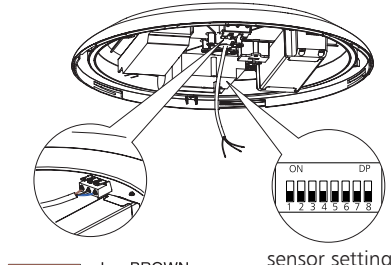
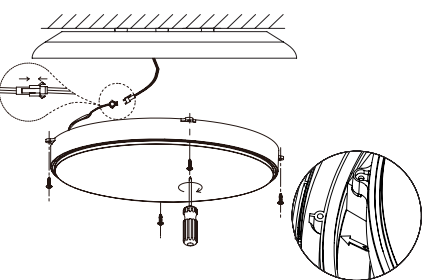
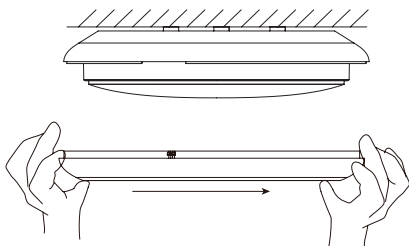
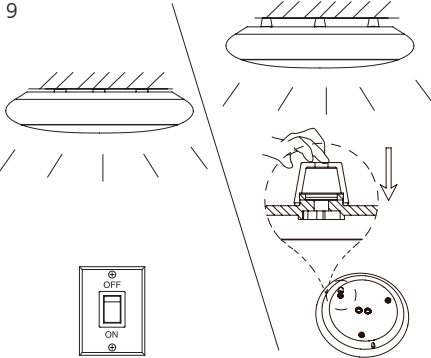


## Temperature

- The testing is operated at 25°C
- The lifetime of capacitor, minimum of 5,000 hours if operated at 105°C, will be doubled whenever the temperature drops 10°C
- The highest withstand temperature of IC, MOS could be 120°C
- The highest withstand temperature of LED junction temperature is 150°C



# Installation

<p>1</p>  <p>Take out accessory pack.</p>	<p>2</p>  <p>Unscrew the front frame anticlockwise and take it out, make the frame, diffuser and back housing separately.</p>	<p>3</p>  <p>Disconnect the connection plug.</p>
<p>4</p>  <p>Put the plastic anchor into the ceiling.</p>	<p>5</p>  <p>Make the input wires through entrance hole and waterproof bushing, cover the screws with waterproof washer, fix the back housing by these screws.</p>	<p>6</p>  <p>Connect the wires to the block through the reliefs.</p>
<p>7</p>  <p>Connect the base and led module. Align the screw holes of base and led module, fix the led module on the base firmly by screws.</p>	<p>8</p>  <p>Match the gaps for each part and rotate the frame clockwise.</p>	<p>9</p>  <p>Installation finished, turn on the switch.</p>

## Packaging Information

	SIZE(CM)	N.W/pc (KGS)	G.W.(KGS)	Q'TY(PCS)
Carton	56.5*44*29.5	0.81	10.6	10

	CTNS	Q'TY(PCS)	VOLUME(CBM)
20" standard container	370	3700	28
40" standard container	750	7500	56

