

# ALTRACK

## LED Track Light

Norms: EN 60598-1, EN 60598-2-1, EN 62471, EN 62493

### Product information



Product number:	ALT70 - D23
Track System:	6 wire
Input Voltage (v):	220-240V
Dimming:	On/Off, DALI
Light source:	COB LED
luminaire Lifetime:	50.000h (L80-B10, Ta25°C)
Rotation Angle (degree):	350
Tilting Angle (degree):	60
IP Rating:	20
Working Temperature (°C)	-5 - +30
Storage Temperature (°C)	-20 - +50
Material:	Aluminium
Fitting Colors:	9016 Matte White / 9017 Matte Black

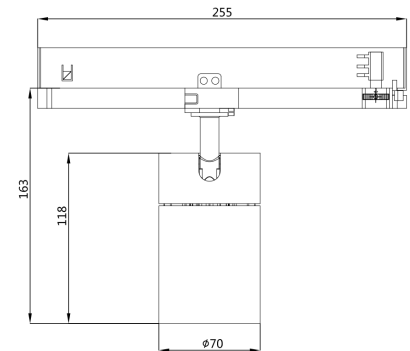


Honeycomb L01    Oval diffuser L02    Diffuser L03    Anti-glare ring L04

### Packaging information

N.W. lamp (Kg):	0.65
G.W. Carton (Kg):	10
Master carton dimensions(mm):	530x305x350
Quantity per carton:	15

Beam	Watt	CRI	Luminous	CCT	Code
16	23W	90	2279.6 lm	4000K	JALT706-D23G40-S
			2150.6 lm	3000K	JALT706-D23G30-S
			2000.0 lm	2700K	JALT706-D23G27-S
22	23W	90	2277.5 lm	4000K	JALT706-D23G40-M
			2148.6 lm	3000K	JALT706-D23G30-M
			1998.1 lm	2700K	JALT706-D23G27-M
34	23W	90	2150.0 lm	4000K	JALT706-D23G40-F
			2028.3 lm	3000K	JALT706-D23G30-F
			1886.3 lm	2700K	JALT706-D23G27-F
43	23W	90	2130.9 lm	4000K	JALT706-D23G40-WF
			2010.3 lm	3000K	JALT706-D23G30-WF
			1869.6 lm	2700K	JALT706-D23G27-WF



① ② ③ ④ ⑤ ⑥ ⑦ ⑧ ⑨

Code composition: ALI 85 6 - D 40 G27 - B S - L01

① Product Code	② Diameter size	③ Track style	④ Dimming type	⑤ Watt	⑥ LED	K & CRI	⑦ Finishes	⑧ Optical angle	⑨ Accessories
JALT	Φ85mm	6 Wire	X Not-Driver	40W	H27	2700 95	White	S Spot	L01 Honeycomb
	Φ70mm	4 Wire	T TRIAC	37W	G27	2700 90	Black	M Medium	L02 Oval diffuser
	Φ55mm	3 Wire	V 1-10V	35W	G30	3000 90		F Flood	L03 Diffuser
	Φ45mm	2 Wire	D DALI	32W	G40	4000 90		WF Wide Flood	L04 Anti-glare ring
	Φ35mm		L DC48V		E50	5000 80		O Oval	