

ALTRACK

LED Track Light

Norms: EN 60598-1, EN 60598-2-1, EN 62471, EN 62493



Product information



Product number:	ALT55 - L15
Track System:	2 wire, 4 wire
Input Voltage (v):	48VDC
Dimming:	On/Off, 1-10V, DALI
Light source:	COB LED
luminaire Lifetime:	50.000h (L80-B10, Ta25°C)
Rotation Angle (degree):	350
Tilting Angle (degree):	60
IP Rating:	20
Working Temperature (°C)	-5 - +30
Storage Temperature (°C)	-20 - +50
Material:	Aluminium
Fitting Colors:	9016 Matte White / 9017 Matte Black



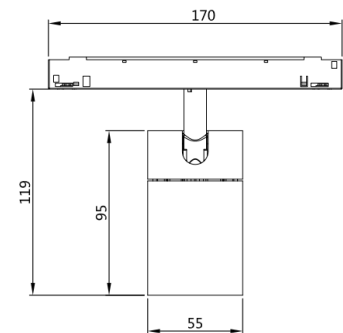
Packaging information

N.W. lamp (Kg):	0.35
G.W. Carton (Kg):	13
Master carton dimensions(mm):	515x415x305
Quantity per carton:	24



Honeycomb L01 Oval diffuser L02 Diffuser L03 Anti-glare ring L04

Beam	Watt	CRI	Luminous	CCT	Code
15	15W	90	1178.3 lm	4000K	JALT554-L15G40-S
			1111.6 lm	3000K	JALT554-L15G30-S
			1033.8 lm	2700K	JALT554-L15G27-S
20	15W	90	1120.8 lm	4000K	JALT554-L15G40-M
			1057.4 lm	3000K	JALT554-L15G30-M
			983.3 lm	2700K	JALT554-L15G27-M
39	15W	90	1113.3 lm	4000K	JALT554-L15G40-F
			1050.3 lm	3000K	JALT554-L15G30-F
			976.8 lm	2700K	JALT554-L15G27-F
50	15W	90	985.8 lm	4000K	ALJT554-L15G40-WF
			930.0 lm	3000K	JALT554-L15G30-WF
			864.9 lm	2700K	JALT554-L15G27-WF



- ① ②③ ④⑤ ⑥⑦⑧ ⑨

Code composition: ALT 85 6 - D 40 G27 - B S - L01

① Product Code	② Diameter size	③ Track style	④ Dimming type	⑤ Watt	⑥ LED K & CRI	⑦ Finishes	⑧ Optical angle	⑨ Accessories
JALT	φ 85mm	6 Wire	X Not-Driver	40W	H27 2700 95	White	S Spot M	L01 Honeycomb
	φ 70mm	4 Wire	T TRIAC	37W	G27 2700 90	Black	Medium F	L02 Oval diffuser
	φ 55mm	3 Wire	V 1-10V	35W	G30 3000 90		Flood	L03 Diffuser
	φ 45mm	2 Wire	D DALI	32W	G40 4000 90		WF Wide Flood	L04 Anti-glare ring
	φ 35mm		L DC48V		E50 5000 80		O Oval	