

# ALTRACK

## LED Track Light

Norms: EN 60598-1, EN 60598-2-1, EN 62471, EN 62493



### Product information



Product number:	ALT55 - D15
Track System:	6 wire
Input Voltage (v):	220-240V
Dimming:	On/Off, DALI
Light source:	COB LED
luminaire Lifetime:	50.000h (L80-B10, Ta25°C)
Rotation Angle (degree):	350
Tilting Angle (degree):	60
IP Rating:	20
Working Temperature (°C)	-5 - +30
Storage Temperature (°C)	-20 - +50
Material:	Aluminium
Fitting Colors:	9016 Matte White / 9017 Matte Black

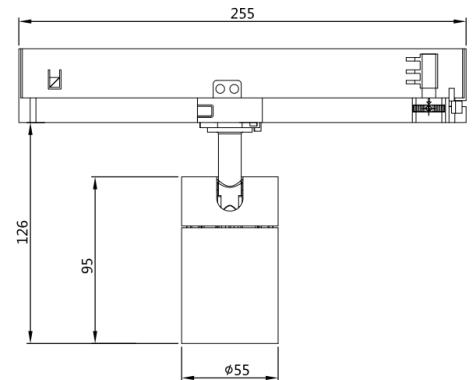


Honeycomb L01    Oval diffuser L02    Diffuser L03    Anti-glare ring L04

### Packaging information

N.W. lamp (Kg):	0.42
G.W. Carton (Kg):	6.8
Master carton dimensions(mm):	530x305x350
Quantity per carton:	15

Beam	Watt	CRI	Luminous	CCT	Code
15	15W	90	1178.3 lm	4000K	JALT556-D15G40-S
			1111.6 lm	3000K	JALT556-D15G30-S
			1033.8 lm	2700K	JALT556-D15G27-S
20	15W	90	1120.8 lm	4000K	JALT556-D15G40-M
			1057.4 lm	3000K	JALT556-D15G30-M
			983.3 lm	2700K	JALT556-D15G27-M
39	15W	90	1113.3 lm	4000K	JALT556-D15G40-F
			1050.3 lm	3000K	JALT556-D15G30-F
			976.8 lm	2700K	JALT556-D15G27-F
50	15W	90	985.8 lm	4000K	JALT556-D15G40-WF
			930.0 lm	3000K	JALT556-D15G30-WF
			864.9 lm	2700K	JALT556-D15G27-WF



- ① ② ③ ④ ⑤ ⑥ ⑦ ⑧ ⑨

Code composition: ALI 85 6 - D 40 G27 - B S - L01

① Product Code	② Diameter size	③ Track style	④ Dimming type	⑤ Watt	⑥ LED	K & CRI	⑦ Finishes	⑧ Optical angle	⑨ Accessories
JALT	Φ85mm	6 Wire	X Not-Driver	40W	H27	2700 95	White	S Spot	L01 Honeycomb
	Φ70mm	4 Wire	T TRIAC	37W	G27	2700 90	Black	M Medium	L02 Oval diffuser
	Φ55mm	3 Wire	V 1-10V	35W	G30	3000 90		F Flood	L03 Diffuser
	Φ45mm	2 Wire	D DALI	32W	G40	4000 90		WF Wide Flood	L04 Anti-glare ring
	Φ35mm		L DC48V		E50	5000 80		O Oval	