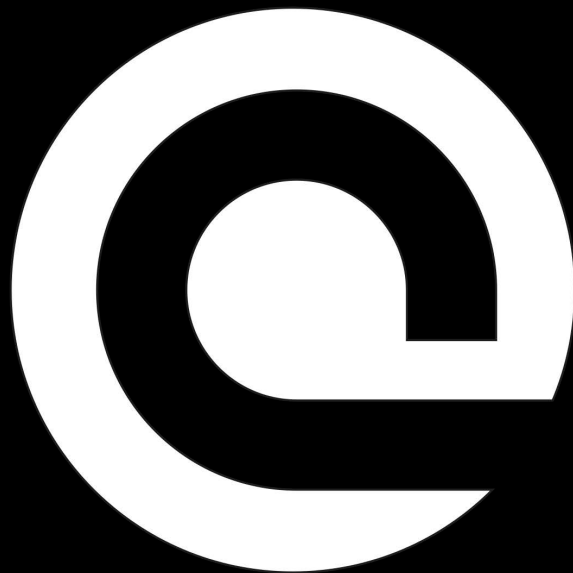
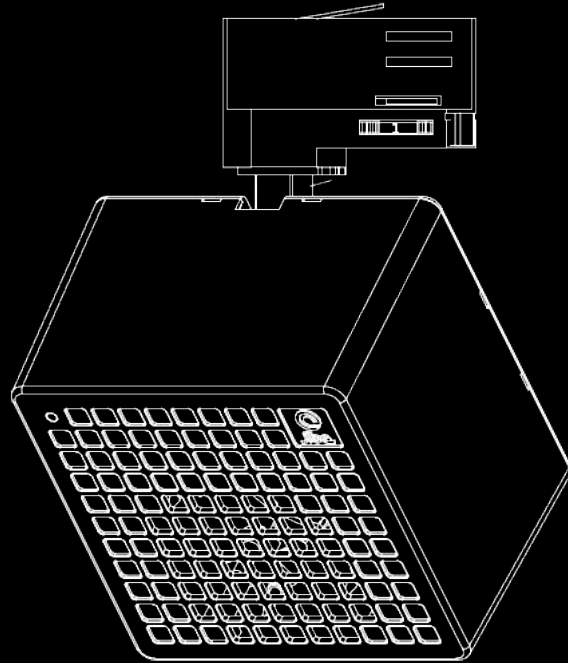


ABLATUM DISINFECTION SERIES

ION-T



عاباز



ABLATUM DISINFECTION SERIES ION - T



The ION – T is the latest in retail store disinfection. It utilizes the same technology as our earth's own defense mechanism against air pollution by extracting harmful particles and viruses from the air and dissolving them. It installs in less than a minute and is ready to output 200 million positive and negative ions per cm³, effectively killing airborne pathogens. The blue LED will show your customers and employees it is operative, making your environment a safer and cleaner place. With its sleek and beautiful design, it has been built to blend in with existing in-store lighting equipment.

- Beautifully designed to blend in with your existing lighting.
- Small form factor
- Extreme fast installation
- Blue indicator to indicate disinfection
- 3 phase track adapter
- Optional Wall/Ceiling mounted adapter
- 200 million bi-polar ions per cm³
- Speed adjustable ion distribution fan
- Suitable for 40m³ – 80m³ room size.
- Installs in stores, meeting rooms, train compartments, lunchrooms, toilets, changing rooms, hotel rooms, busses
- Disinfection of airborne pathogens by means of Bi-polar ionization.





ABLATUM DISINFECTION SERIES ION - T



PRODUCT INFORMATION

Part Number	JB-AB-ION-T
-------------	-------------

GENERAL CHARACTERISTICS

Case Material	Polycarbonate
Fan	Max speed 3500 rpm
Ionizers	4 pieces Bi-Polar -3.5kV - +3,5kV total 200 million ions per cm ³
Ion degradation	After 11.000 hrs Ion production will slowly degrade
Operation Temperature	-30% - +50°C
Installation	Track mounted
Colours	Black (B) standard color, Grey (G), Aluminum (AL), White (W),
Blue indicator LED	Device on – Device operating time in hours: 1x flash = 11.000 hrs 2x flash = 12.000 hrs etc.

ELECTRICAL CHARACTERISTICS

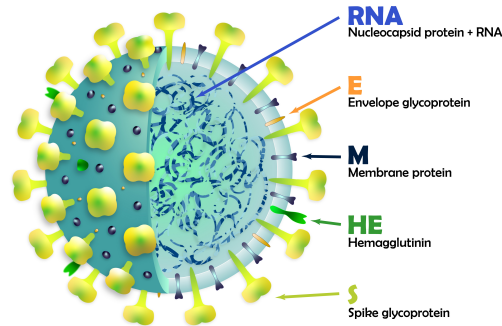
Input Voltage	220-240Vac Nom/50-60Hz Min.
Power Consumption	5 Watt

SHIPMENT DIMENSIONS

Carton Dimensions (LxWxH in cm)	53 x 43 x 37 cm	?? x ?? x ??cm	20 ft	40ft
Packing Quantity	24 pcs	1 pc	5760	12960
Weight per carton in Kg	14.0 Kg	0,6 Kg		

ABLATUM Bi-Polar Ionisation

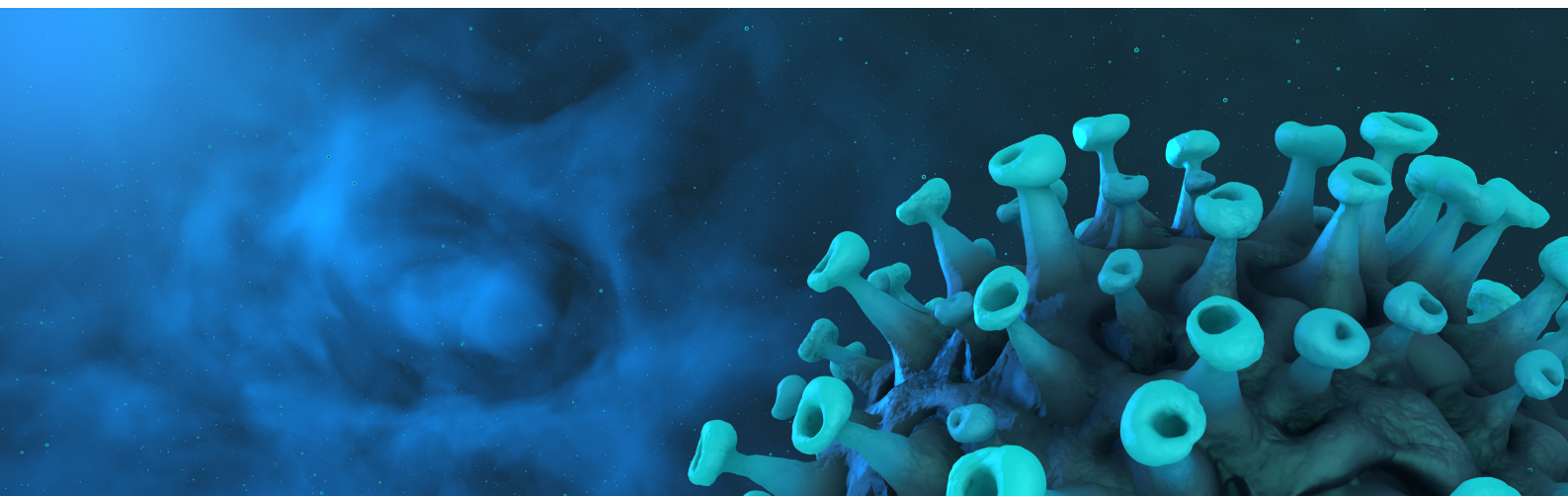
SARS-CoV-2



Bi-Polar ions are made from the same type of positive and negative ions that occur in nature. Bi-Polar ionisation technology generates positive hydrogen ions (H^+) and negative oxygen ions (O_2^-). Plasmacluster ions are naturally occurring airborne water and oxygen, but in a different form.

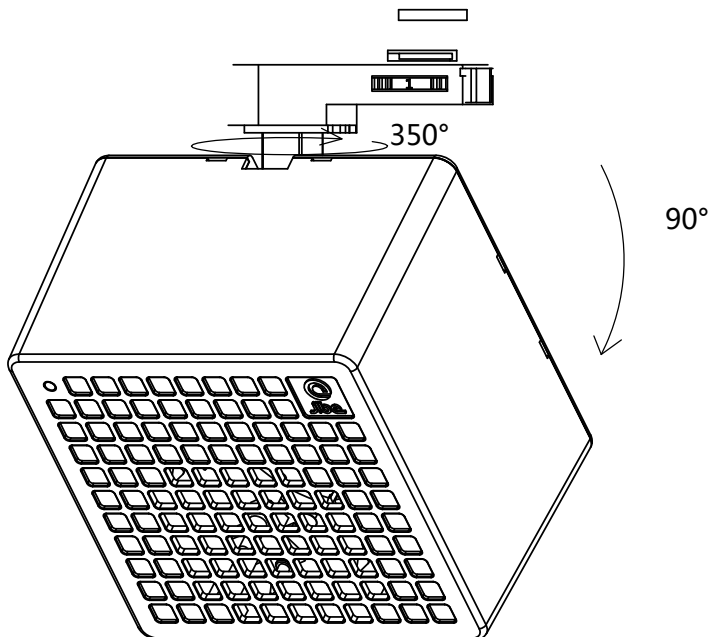
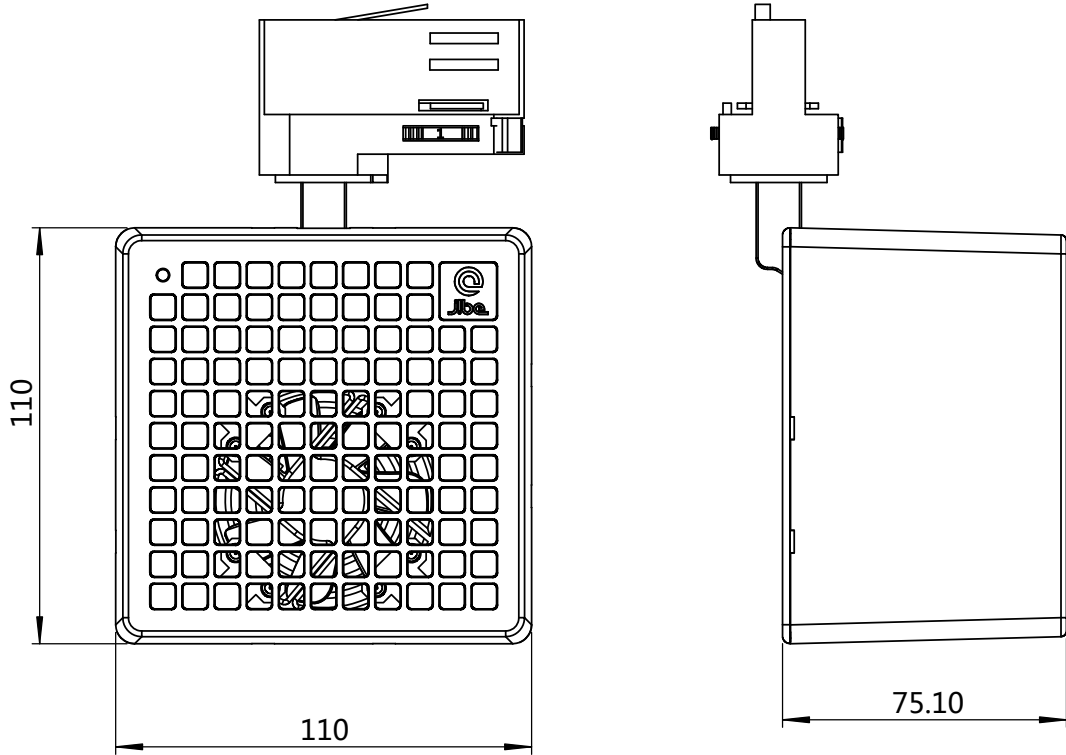
The positive (H^+) and negative (O_2^-) ions of the Plasmacluster ions bond on the surface of airborne viruses and other substances and change into OH radicals. With their extremely strong oxidizing power, the OH radicals quickly extract hydrogen (H) from the protein on the surface of viruses and other substances, thus decomposing the protein and suppressing activity. The surface of things like bacteria and allergens consists mainly of protein. Removing the hydrogen atom (H) from this structure inactivates the undesirable substance. Furthermore, the OH radical bonds with the removed hydrogen atom (H) to immediately form water (H_2O), which is returned to the air.

<https://actascientific.com/ASMI/pdf/ASMI-02-0395.pdf>



ABLATUM DISINFECTION SERIES
ION - T

DIMENSIONS



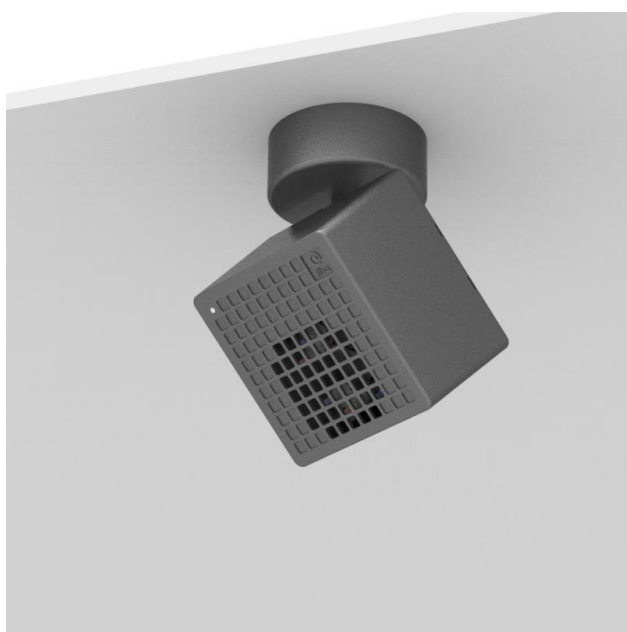
ABLATUM DISINFECTION SERIES

OTHER VERSIONS

RECESSED CEILING ION-R



CEILING MOUNTED ION-M



ABLATUM DISINFECTION SERIES

OTHER VERSIONS

RECESSED CEILING
ION-S



CEILING MOUNTED
ION-E



JIBE LIGHTING — HEADQUARTERS
Hogebrinkerweg 14V - 3871 KN Hoevelaken
Netherlands Tel: +31 (0)33 844 7111
info@jibe.lighting - www.jibe.lighting



LED THERE BE LIGHT

JIBE LIGHTING — GERMANY
Marie-Curie-Ring 38- 63477 Maintal
Germany Tel: +49 (0)6181 90 90 509
Mob : +49 (0)162 26 36 614
fax : +49 (0)6181 61 01 618
s.fischer@jibe-lighting.de

JIBE LIGHTING — NORTH AMERICA
5917 NW 63 Way - Parkland FL 33067
USA Tel: 954-899-4040
todd.darling@jibeusa.lighting

© 2019 Jibe Lighting - all rights reserved

Jibe reserves the right to alter material, dimensions and characteristics without prior notice. Read installation instructions carefully. Technical information on the installation instruction has precedence over the information in the brochure.

Our general terms and conditions shall apply notwithstanding any stipulation to the contrary to all the orders and agreements with Jibe.

You can obtain a copy of these conditions on demand.

For latest information and specifications of the full product range visit www.jibe.lighting