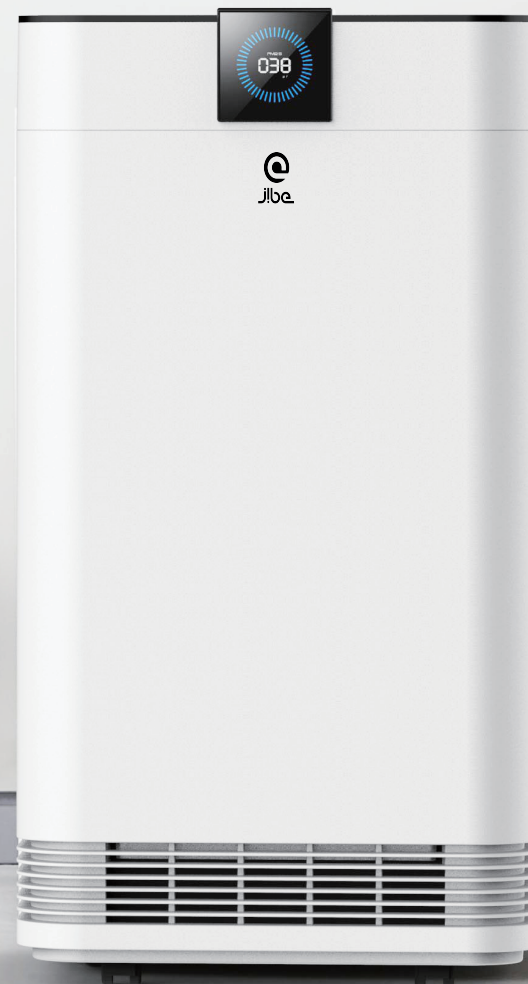


Ablatum Air Pro



ION AIR PURIFIER USER MANUAL

Product introduction

Ablatum Air Pro uses advanced ESP purification technology as the working principle,with high purification efficiency,high purification speed and other remarkable characteristics.

Thank you for choosing Ablatum Air Pro. Please read this manual for proper use carefully ; Especially before use, please remember to read the "safety precautions" section to ensure safety use firstly.

Directory

Important safety measures.....3

Use attention.....4

Product schematic diagram.....5

Operation instructions.....6

Cleaning and maintenance.....7

Troubleshooting.....8

Product specifications.....9

After-sales service..... 10

Please read all the instructions

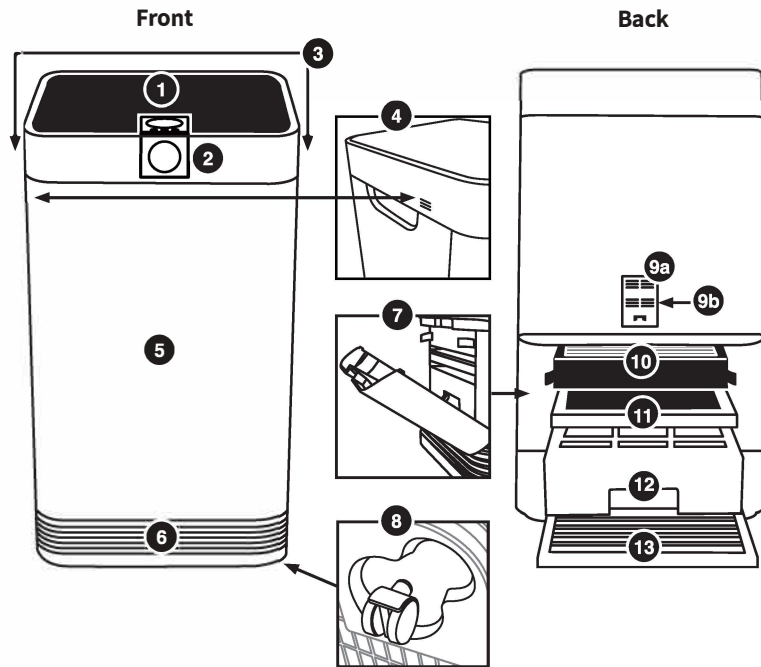
Warning: always follow basic safety precautions when using a purifier

1. To prevent electric shock hazard, do not place wires, plugs or any parts of the purifier device in water or any other liquid.
2. When using the purifier, close supervision must be carried out to prevent children from using it. The device is not suitable for use by children or those who lack the ability to use it
3. After the purifier is dropped or damaged in any way, do not use the damaged power cord, plug and other operating products. Please call the customer service for help.
4. Do not place the power cord under the carpet or under moving objects or other furniture. The power cord should be placed away from frequent pedestrian areas to prevent tripping.
5. If necessary, remove dust or water from the plug before use.
6. Place the purifier on a smooth surface.
7. Do not place purifiers where they can be easily pushed, kicked or tripped over.
8. Leave at least 60-100cm of space between the vents of the equipment and any walls.
9. Do not place the machine near the heating device.
10. Do not use it in damp or wet places.
11. Do not use the machine near flammable or combustible gases or vapors.
12. Not suitable for outdoor use.
13. Do not put objects on the top of the machine.
14. Do not sit or stand or lean on the plane.
15. Do not change or modify any parts of the purifier or use accessories not recommended by the manufacturer. This can lead to fire, injury, or property damage.
16. Electrical components may remain charged even after the purifier is turned off. When assembling, please make sure that the power plug has been removed.
17. Do not use the purifier in industrial environment.
18. Please turn off the power of the device before unplugging it.
19. When not in use, or before removing and replacing the filter and before cleaning, please close and unplug the power cord of the unit from the socket.
20. When the device is unattended for a long time, please turn off the power and unplug the power plug.
21. Take good care of the user manual for future reference.

1. Please read and understand the entire manual before using the purifier.
2. Do not operate the machine if abnormal sounds or actions are detected.
3. Do not operate if hard objects or foreign matters come into contact with the fan. Turn off and unplug.
4. Check for loose or missing parts before and after use. If parts become loose, damaged or missing, please Contact customer service.
5. Children should be monitored to ensure that they do not use the product.
6. Do not pull, lift, drag, pick up or carry equipment through the power cord.
7. Do not block the air inlet or outlet.
8. Do not use the machine without filter.

Warning:

1. Before the product is powered on, confirm whether the voltage marked on the product body is consistent with the local voltage.
2. Only use the original filters and components designed for this product by the manufacturer. Do not use any other filters and components.
3. This product is only suitable for indoor use.



- 1 The wind grating
- 2 The control panel
- 3 Handles
- 4 VOC sensor
- 5 The fuselage
- 6 Air inlet
- 7 Filter cover
- 8 The wheel
- 9a The sensor cover
- 9b Dust sensor
- 10 hepa filter
- 11 Ozone removal filter
- 12 Ion dust collector net
- 13 Pre-filter



Turn on/off buttons

1. Plug in the power cord, the machine is in standby state, and the color of on/off indicator is red.
2. Press the "on"/" off "button to enter the startup state. The color of the " on "/" off "indicator is blue.
Auto mode is turned on by default after startup
3. Press the "on/off" button again , and the machine will be shut down, put into standby mode, and the indicator light is red for turn on/off.



Automatic mode key

When in automatic mode, the purifier adjusts the air volume according to the environment automatically.
Auto matic mode and air volume adjustment can not work together. Press the air volume adjustment button to remove the automatic mode;Auto mode: When the auto mode is turning on, the indicator color is blue; when the auto mode is off, the indicator color will be white.



Air volume control button

Press the air volume button to open the air volume adjustment setting. At this time, the air volume indicator light is on, and the air volume can be adjusted at four gears (from lowest to highest).
automatic mode and air volume adjustment cannot work together. Press the button of automatic mode and remove the air volume adjustment mode;The air volume adjustment button: when the air volume adjustment is turned on, the indicator color is blue; when the air volume adjustment is off, the indicator color is white.



Control panel display



PM2.5 Detection display

Control panel display



Anion working state

The anion ion function is turned on after the power is on, and the icon is lighting. Abnormal working status icon flashes slowly.



Working status of dust collector

The icon is lighting when working normally. You need to clean the dust box when the icon flashes slowly. Pressing the air volume adjustment button for 4 seconds to reset, the icon will last lighting.



Sleep mode working state

When there is light during the day, the icon flashes slowly. After turning off the light at night, the icon lights up in white, and other icons (except the on/off button light) go out.



High voltage protection warning

When the high voltage protection or power failure occurs, the icon flashes red slowly. In case of red slow flashing, please check if the ion dust collection net and the filter cover are installed correctly. The icon does not light after the fault is removed.



Wind speed gear status

Wind speed gears 1, 2, 3 and 4



TVOC detection working status

Blue is excellent, green is good, yellow is light pollution, red is heavy pollution



WIFI mode working status

When booting, the WIFI icon enters the slow flashing state. When the network is deployed, the WIFI icon enters the flashing state. After the distribution network is successful, the WIFI icon will be lighting. Offline or distribution network unsuccessful WIFI icon enters slow flashing state.



Working status off or hepa filter shield

the icon lasts lighting during normal operation. The icon flashes slowly when the hepa filter screen needs to be replaced. Pressing the air volume adjustment button for 4s to reset, the icon will be brighting.

PM2.5 Detection display

PM2.5The numerical:1-50	excellent	Aperture color:	blue
PM2.5The numerical:51-100	good	Aperture color:	green
PM2.5The numerical:101-150	normal	Aperture color:	yellow
PM2.5The numerical:151-500	poor	Aperture color:	red

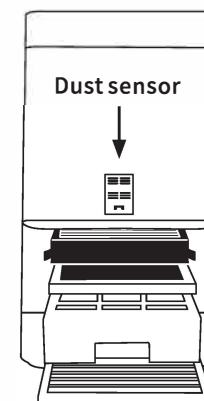
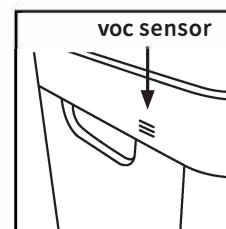
Clean the top air outlet grille and air inlet grille:

1. Use a soft brush to remove dust and debris.
2. If necessary, use a slightly wet paper towel or a damp cloth to remove large deposits. Do not use any irritating abrasive or cleaning pad on any part of the equipment.

Cleaning voc sensor opening:

The voc sensor is located at the side angle of the purifier, towards the top, under the air outlet grille.

- Use a soft cloth to clean dust and debris around the voc sensor to maintain accurate voc recognition
- Do not tamper with the voc sensor or turn on the sensor. Do not spray in or near the small grille opening above the smell sensor. Otherwise, it may cause sensor failure and lead to warranty failure.



Dust cleaning sensor

1. Open the panel (sensor cover).
 2. Use a wet swab to clean the lens and air intakes and outlets.
 3. Use a dry cotton swab to remove water stains from the dust sensor.
- dust sensor needs to be cleaned regularly (approximately every two months) to allow the equipment operate efficiently.
 - dust sensor needs to be cleaned more frequently if the purifier is placed in an area where dust accumulates quickly .
 - do not use the swab on any part or area outside the dust sensor.

Filter components of purifier

The purifier is equipped with four different preassembled filters. When the filter needs to be replaced or cleaned, please install the back cover of the filter after assembly.

The installation sequence of filter is as follows:

1. Pre-filter (washable)
2. Ion dust collector net (washable)
3. Ozone removal filter (non-washable)
4. hepa filter (non-washable)

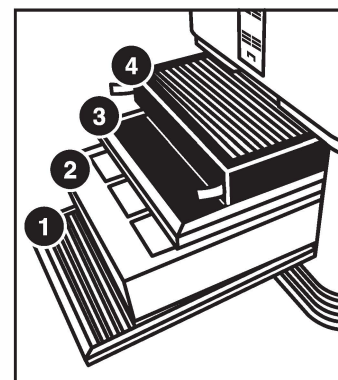
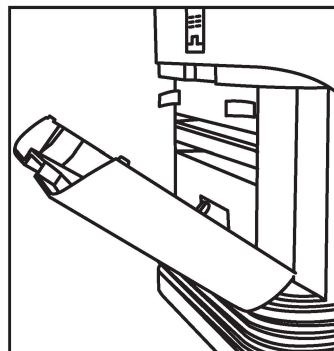


When the time is set by the program, the above icon indicator will be flashing to inform you to clean and replace the filter. Do not clean ozone filter or hepa filter

The using life of heda filter depends on the environment and frequency of using. It is recommended to use it in the sun under high humidity. If not a long time to use , please replace the hepa filter.

Ozone and hepa filter screen cleaning:

Use a vacuum cleaner or paper towel to remove dust and fluff.



Guidelines for cleaning pre-filter

The pre-filter collects large particles, and needs to be cleaned at least once every two months according to the use situation.

1. Use a vacuum cleaner or paper towel to remove dust or fluff.
2. Wash with warm, soapy water.
3. Rinse thoroughly and remove soap residue from the strainer.
4. Dry the pre-filter before reintroducing it into the purifier.

Guidelines for cleaning ion dust collector:

1. Remove the ionic dust collector.
2. Spray with a neutral detergent and let sit for 5-10 minutes.
3. Immersed in warm water (below 40 °C), shake well, remove.
4. Repeat steps 2-3 until clean.
5. Rinse the remaining dirt on the dust collector with warm water.
6. Dry the filter screen with a hair dryer or in the sun.

Guidelines for hepa filter use:

1. It is recommended to use in the environment polluted by formaldehyde.
2. In the environment without hepa pollution, the filter can be taken out and stored in a dry place.
3. The use of hepa filters in polluted environments may produce sour taste. This is a normal phenomenon after the decomposition of formaldehyde. If you are uncomfortable, you can take it out for about a day in the sun.
- 4, The hepa filter is to enhance the purification effect of formaldehyde which is recommended to replace it regularly so the effect is better.

Machine cleaning:

1. Wipe it down with a damp sponge or cloth.
2. Do not immerse the purifier in water.
3. Do not remove fixtures for cleaning.

Troubleshooting

Question:	Solutions:
Unable to boot	1.The plug is not in the wall socket. Plug into a wall outlet. 2. If the machine is not turned on, press the on/off button to turn it on 3. Filter cover is not installed. Please make sure the filter cover is installed correctly.
The air volume at the outlet is weak	If the strainer is dirty, replace or clean the strainer.
The ESP icon flashes and cannot be turned on	1. If the ion dust collector is not installed or not installed correctly. Please follow the instructions to install the ion collector correctly. 2.The filter cover is not installed. Please follow the instructions to install the filter cover correctly. 3.After confirming ,the ESP icon will stop flashing, it will start up normally.

Product specification

Product model: **Ablatum-Air-Pro**
 Rated voltage: 220V
 Rated Power:128 W
 CADR: 608.9m³/h
 Noise :60.5dB(A)
 N.W. : 12.8kg
 Product size: 365*365*690mm

www.jibe.lighting

After-sales service

Note: if the above inspection still can not remove the fault, please contact customer serviceDo not disassemble the repair outlets or technical support service centers provided by the center , avoid danger and damage to the machine.

Warranty card

The name		Contact phone number	
Address			
Product model		Purchase date	
Maintenance record			

Product qualification certificate

Inspector no : _____

Inspection date : _____