

ALTRACK

LED Track Light

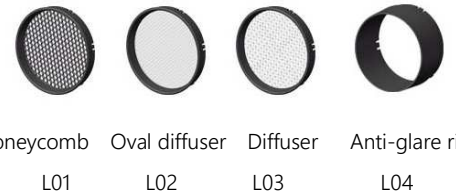
Norms: EN 60598-1, EN 60598-2-1, EN 62471, EN 62493



Product information



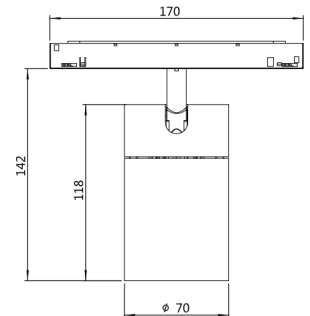
Product number:	ALT70 - L27
Track System:	2 wire, 4 wire
Input Voltage (v):	48VDC
Dimming:	On/Off, 1-10V, DALI
Light source:	COB LED
luminaire Lifetime:	50.000h (L80-B10, Ta25°C)
Rotation Angle (degree):	350
Tilting Angle (degree):	60
IP Rating:	20
Working Temperature (°C)	-5 - +30
Storage Temperature (°C)	-20 - +50
Material:	Aluminium
Fitting Colors:	9016 Matte White / 9017 Matte Black



Packaging information

N.W. lamp (Kg):	0.6
G.W. Carton (Kg):	12
Master carton dimensions(mm):	430x430x390
Quantity per carton:	16

Beam	Watt	CRI	Luminous	CCT	Code
16	27W	90	2615.7 lm	4000K	JALT704-L27G40-S
			2467.6 lm	3000K	JALT704-L27G30-S
			2294.9 lm	2700K	JALT704-L27G27-S
22	27W	90	2621.7 lm	4000K	JALT704-L27G40-M
			2473.3 lm	3000K	JALT704-L27G30-M
			2300.1 lm	2700K	JALT704-L27HG27-M
34	27W	90	2458.1 lm	4000K	JALT704-L27G40-F
			2319.0 lm	3000K	JALT704-L27G30-F
			2156.7 lm	2700K	JALT704-L27G27-F
43	27W	90	2449.7 lm	4000K	JALT704-L27G40-WF
			2311.0 lm	3000K	JALT704-L27G30-WF
			2149.2 lm	2700K	JALT704-L27G27-WF



- ① ② ③ ④ ⑤ ⑥ ⑦ ⑧ ⑨

Code composition: ALI 85 6 - D 40 G27 - B S - L01

① Product Code	② Diameter size	③ Track style	④ Dimming type	⑤ Watt	⑥ LED	K & CRI	⑦ Finishes	⑧ Optical angle	⑨ Accessories
JALT	Φ85mm	6 Wire	X Not-Driver	40W	H27	2700 95	White	S Spot	L01 Honeycomb
	Φ70mm	4 Wire	T TRIAC	37W	G27	2700 90	Black	M Medium	L02 Oval diffuser
	Φ55mm	3 Wire	V 1-10V	35W	G30	3000 90		F Flood	L03 Diffuser
	Φ45mm	2 Wire	D DALI	32W	G40	4000 90		WF Wide Flood	L04 Anti-glare ring
	Φ35mm		L DC48V		E50	5000 80		O Oval	