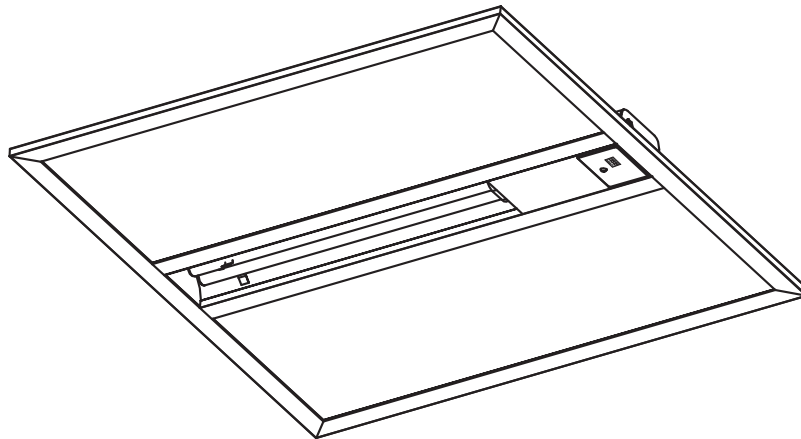
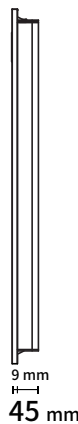
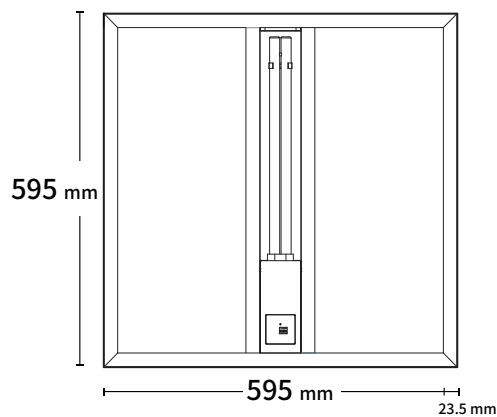




This manual contains important safety warnings and precautions for use
Please read carefully before use

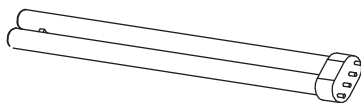


UV-C LED Panel light



LED Panel:

Power: 38W
Input Voltage: AC 220-240V
Rated frequency: 50/60Hz
CCT: 2700-6000K Tunable
CRI: Ra > 80
PF: > 0.9
IP Rate: IP20
Beam Angle: 120°
Luminous flux: 3200lm 100%-10% Dimming
Body Material: Aluminum
ta: -10°C ~ +35°C
Dimension: 595×595×45mm

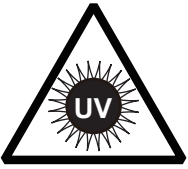


2G11 4pin H Tube
36W 386mm

UV-C Lamp:

Power: 36W
Input Voltage: AC 220-240V
Rated frequency: 50/60Hz
Wavelength: 253.7nm
Radiation intensity (1m): $\geq 120 \mu\text{w}/\text{cm}^2$
PF >: 0.9
IP Rate: IP20
Body Material: Quartz glass tube
ta: -10°C ~ +35°C
Dimension: 42×22×386mm

Warning



Class III danger level: GB/T20145-6.1.4

This product will produce UV-C ultraviolet light when working.

Avoid direct or indirect ultraviolet radiation to the eyes and skin of humans or animals.



To guard against damage observe basic safety precautions including:

Wear protective gear when operating and handling the unit including: goggles, gloves, and faceshields. Read and follow all instructions, warnings, and safety notices instructions.

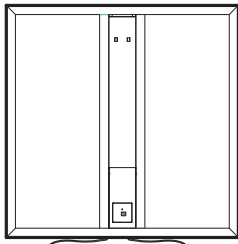
Do not expose eyes and skin to direct or reflected UVC rays as they are harmful.

Precautions

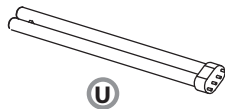
- This product must be installed with the correct installation method to avoid damage to the light source or other components. For the installation method, please refer to the illustration on the following page.
- This product can only be used indoors. The installation of this product or the replacement of parts must be performed by professionals. The power supply should be cut off first, live operation is strictly prohibited.
- This product can only use 2G11 H type 36W 386mm UV lamp, it is strictly prohibited to replace with other types of sterilization light source.
- The UVC lamp of this product contains mercury. Please follow the relevant laws and regulations to dispose of the lamp.
- Ultraviolet rays have an aging effect, pay attention to covering valuable indoor objects during use, to avoid discoloration and fading caused by long-term exposure.
- This product has a microwave induction device. During normal operation, if a moving person or animal breaks into the work area, the lamp will be turned off automatically. This function is only to help prevent accidental intrusion and cannot replace the switch off function.
- This product has a microwave induction device. The induction device can detect moving people or animals.
- Before turning on this product, you need to manually check the work area to ensure that no people or animals are present.
- This product has a microwave induction device. They must be installed within the specified height range and used within the specified ambient temperature range to work properly.
- After the ultraviolet sterilization work is completed, the door of the disinfection area must be opened for at least 15 minutes before people and animals enter the disinfection area.
- The ultraviolet sterilization system should have a professional person responsible for maintenance and management. There should be a professional person to take care of it when working, and take effective measures to prevent people or animals from entering by mistake. The company will not be responsible for any human improper operation or other failure to operate in accordance with the instructions. Safety accidents and losses caused by maintenance and management.



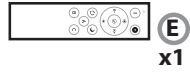
Standard Accessories



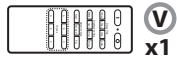
595x595mm



U



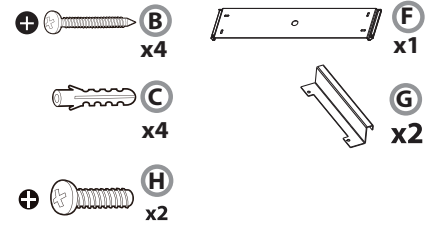
E
x1



V
x1



Surface mounted kit need to buy separately



B
x4

F
x1

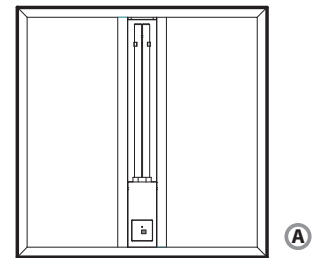
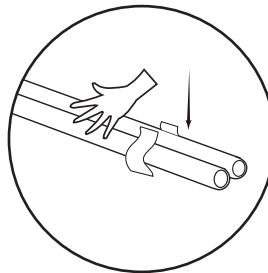
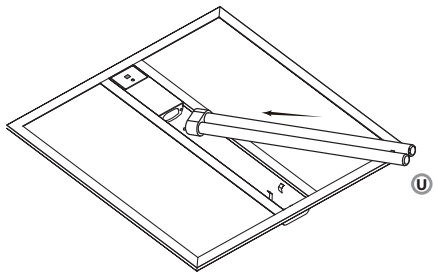
C
x4

G
x2

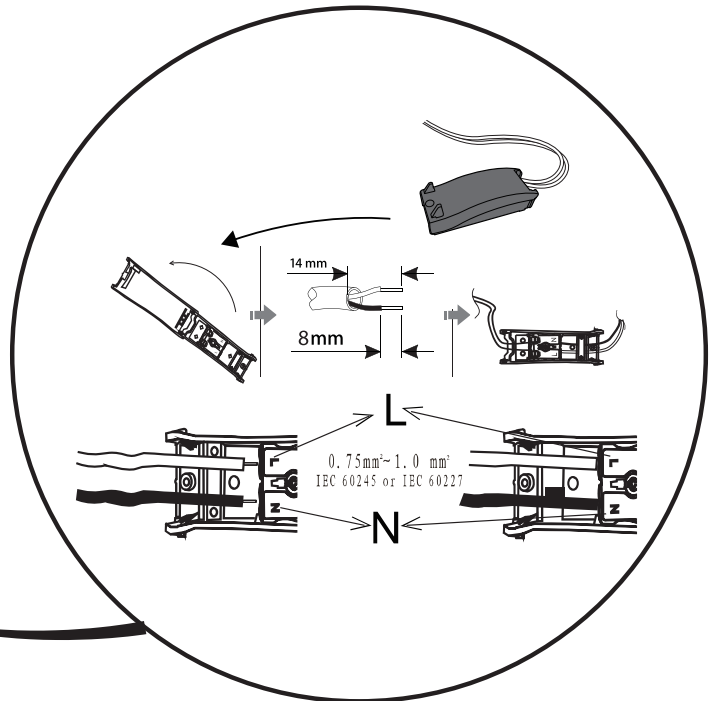
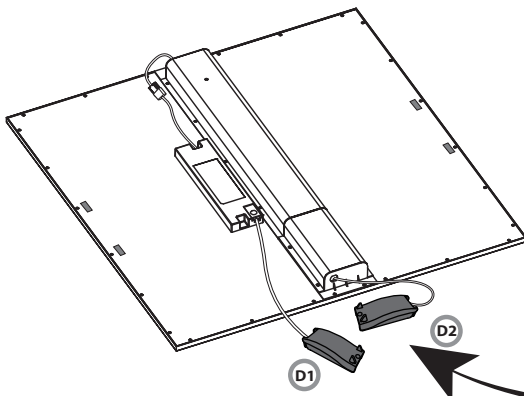
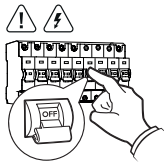
H
x2

1. Installation

1.1 Install the UV-C tube to the fitting

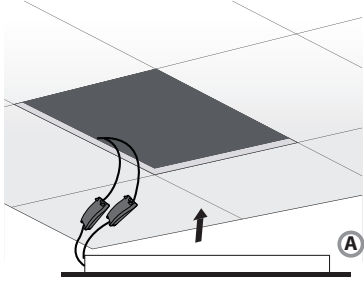


1.2 Wiring

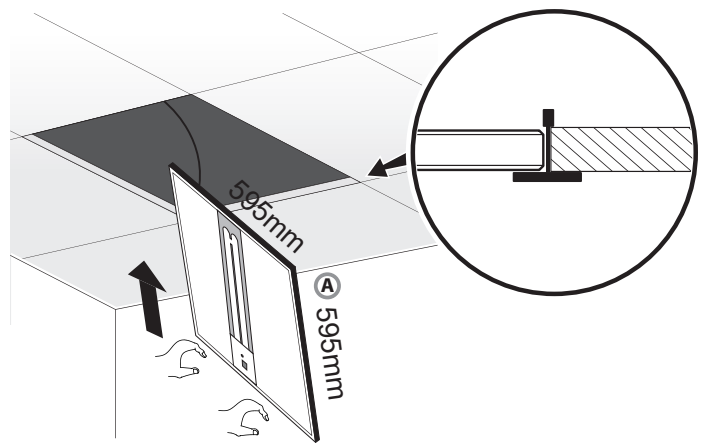


1.3 Recessed

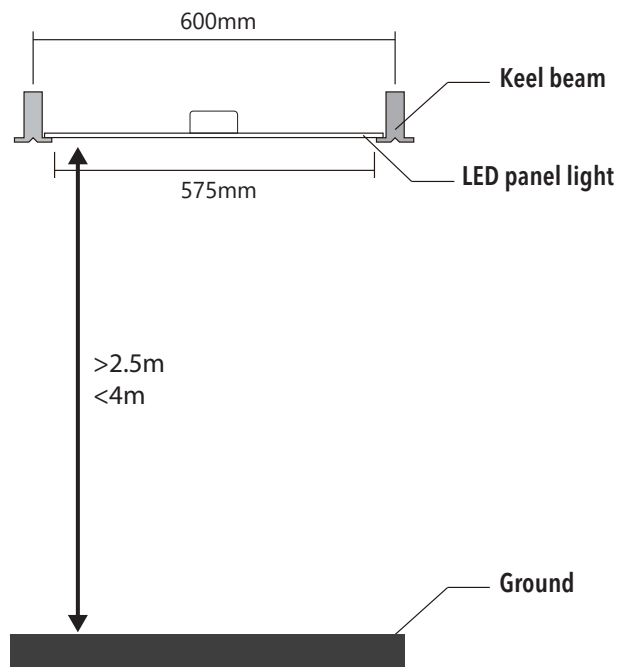
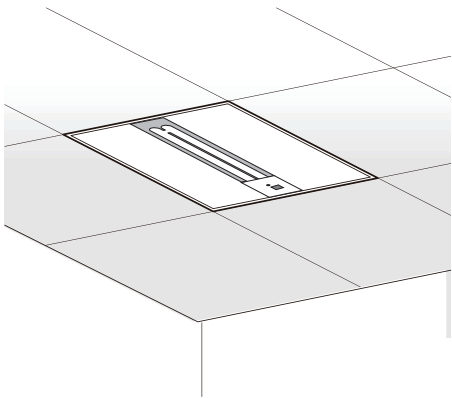
1.



2.

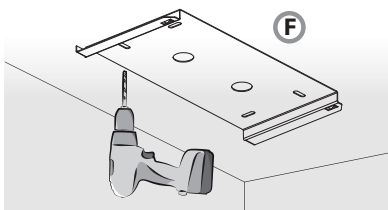


3.

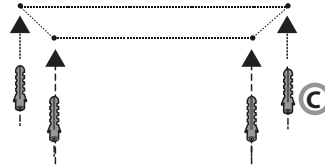


1.4 Surface Mounted

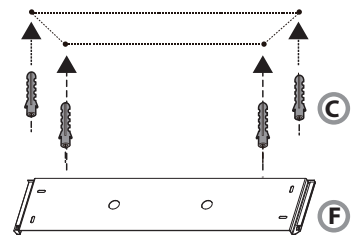
1.



2.

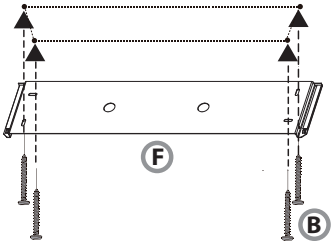


3.

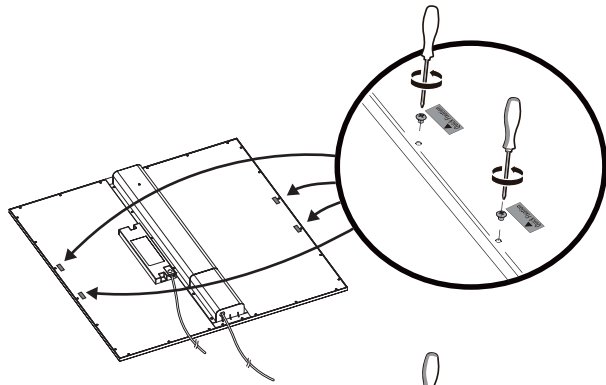


1.4 Surface Mounted

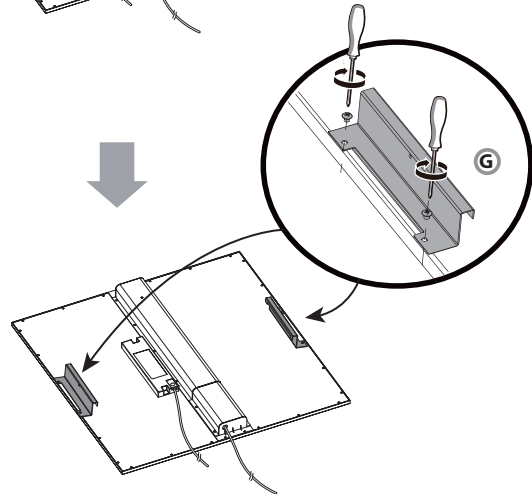
4.



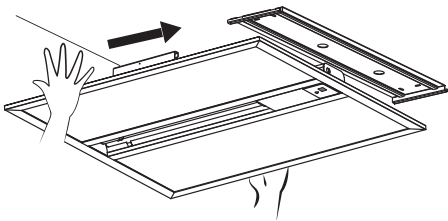
5.



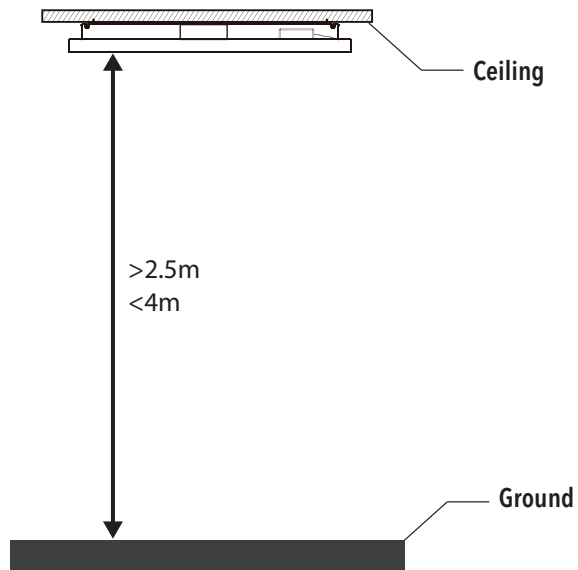
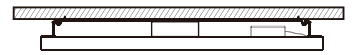
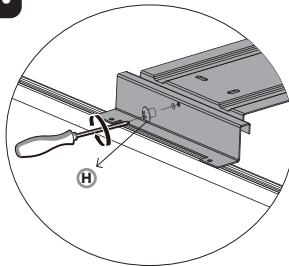
6.

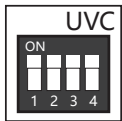
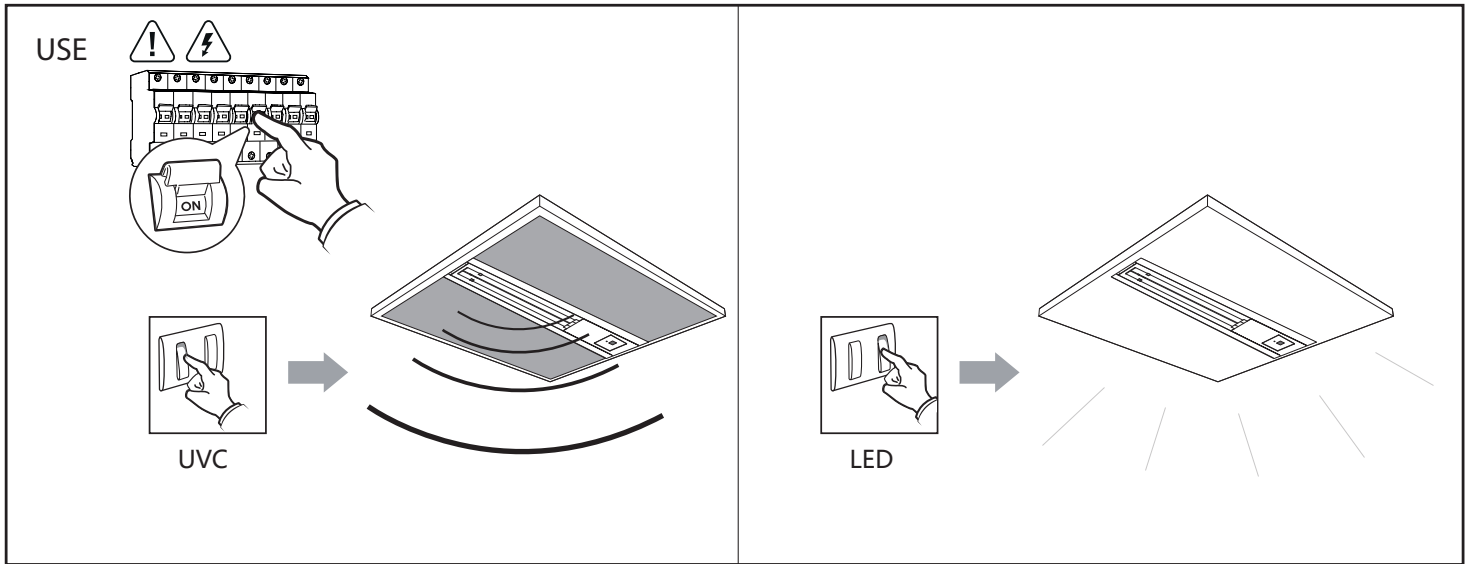


7.

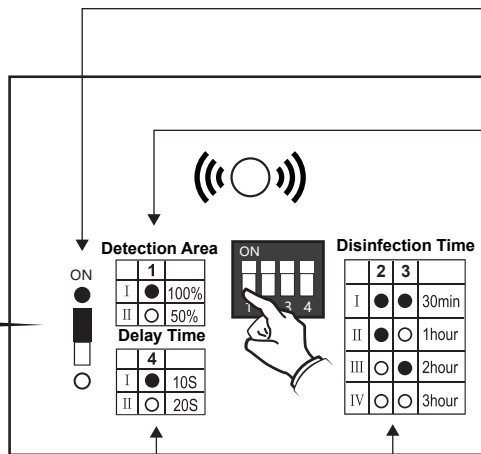
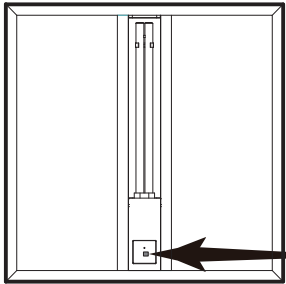


8.





2. UVC Lamp Setting



ON ●

The black point represents the position of the DIP switch

Detection Area

100%: Disinfection range 5m
50%: Disinfection range 3m

Delay Time

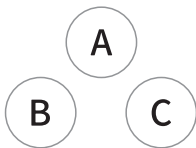
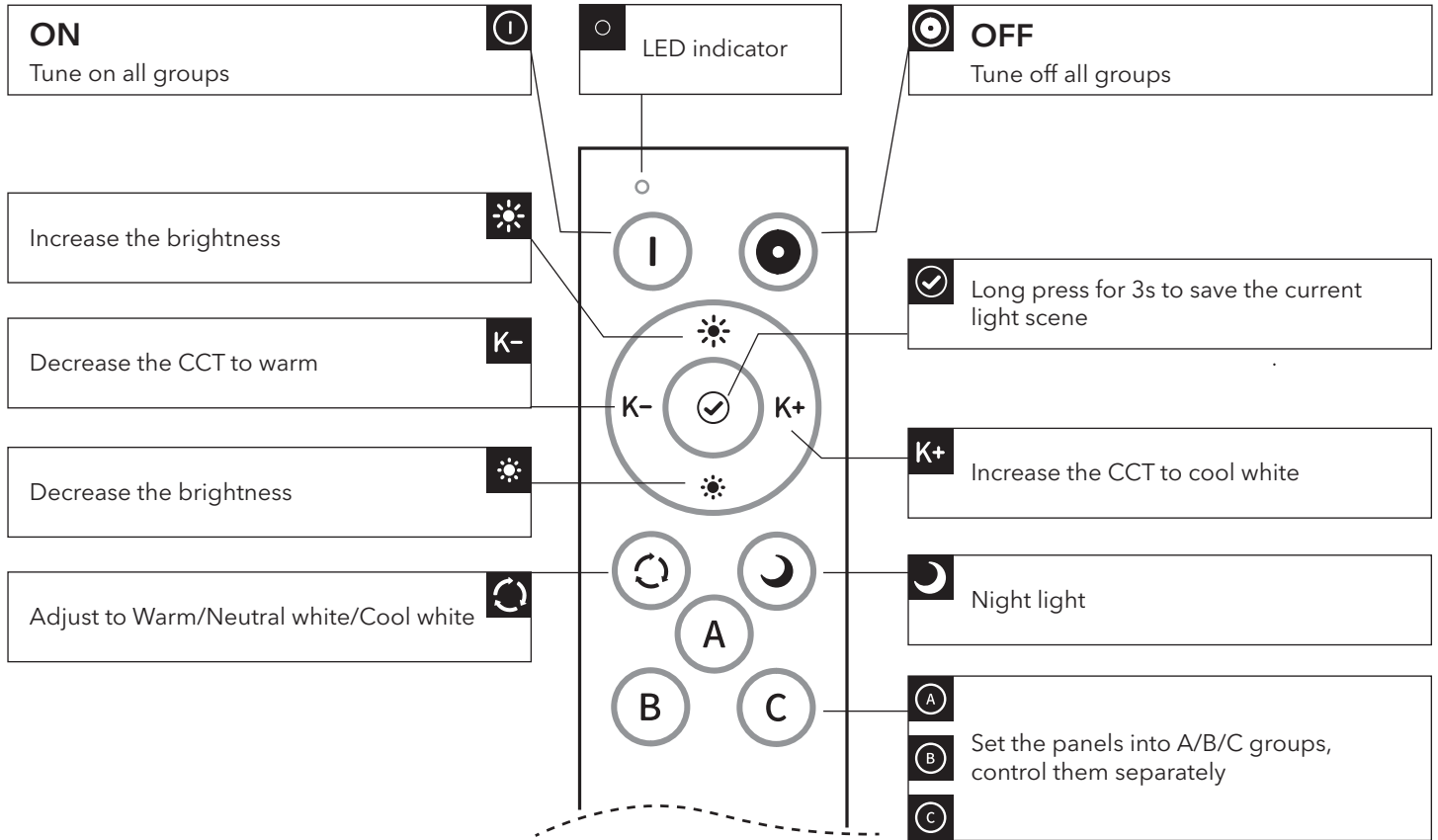
10s / 20s

Detection Time

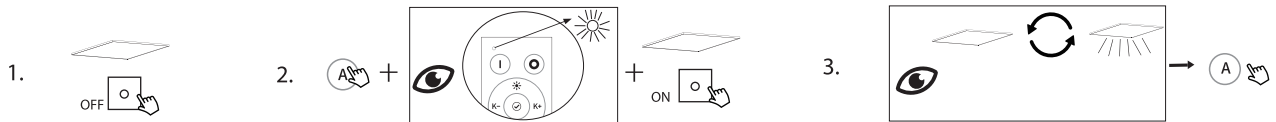
30min / 1hour / 2hours / 3hours



3. LED Panel Remote



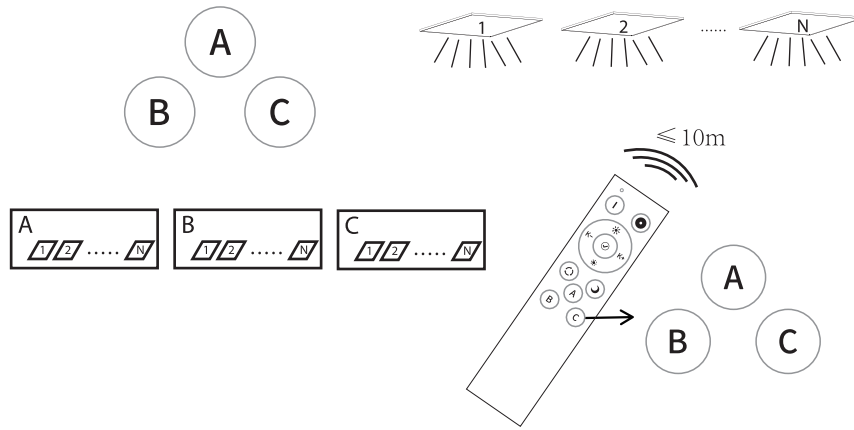
LED Panel Groups Setting



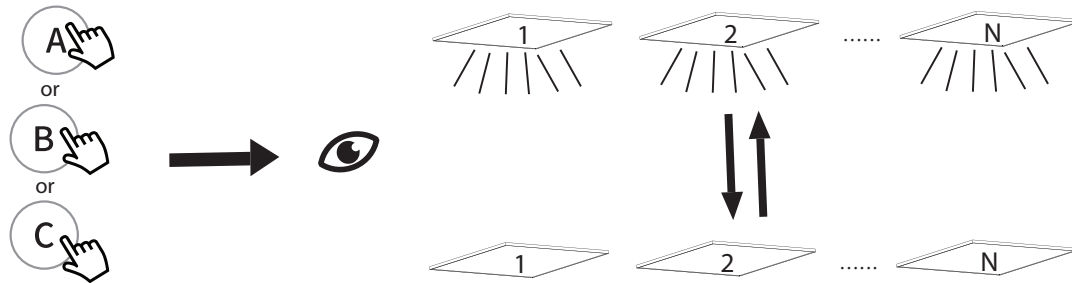
1. Turn off the light by switch.

2. Press "A", "B" or "C" key you want to grouping for a while and you will see the indicator on the remote flashing, hold the "A", "B" or "C" key and turn on the light by switch at the same time.

3. You will see the light flashing after step 2, please hold the "A", "B" or "C" key until the light stop flashing, then the light is grouped. If you do not grouping successfully, please try step 1-3 again.

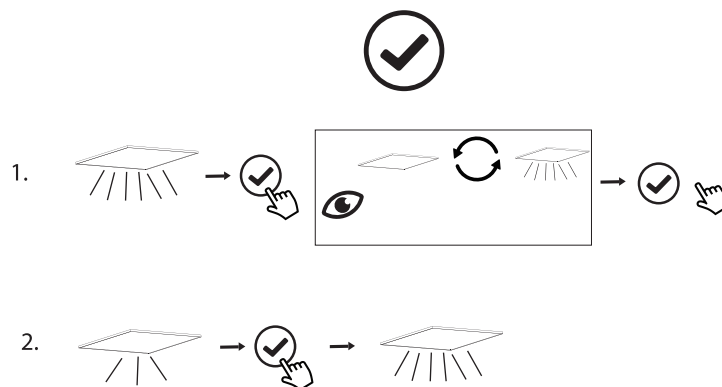


Button "A", "B", or "C" is used to connect with the specific lamps controlled by the user.



If you want to turn on/turn off the specific group when there is more than one lamp in the same space, you can press relevant key "A", "B" or "C".

If you want to turn on/off the different groups at the same time, please use the key "I" / "O"



1. Adjust the brightness and color temperature, and then press the "✓" for a while, you will see the light flashing, then release the "✓" button, the setting is finished.

2. You can press the "✓" to choose the preset brightness and color temperature when the light is at any other brightness and color temperature.