

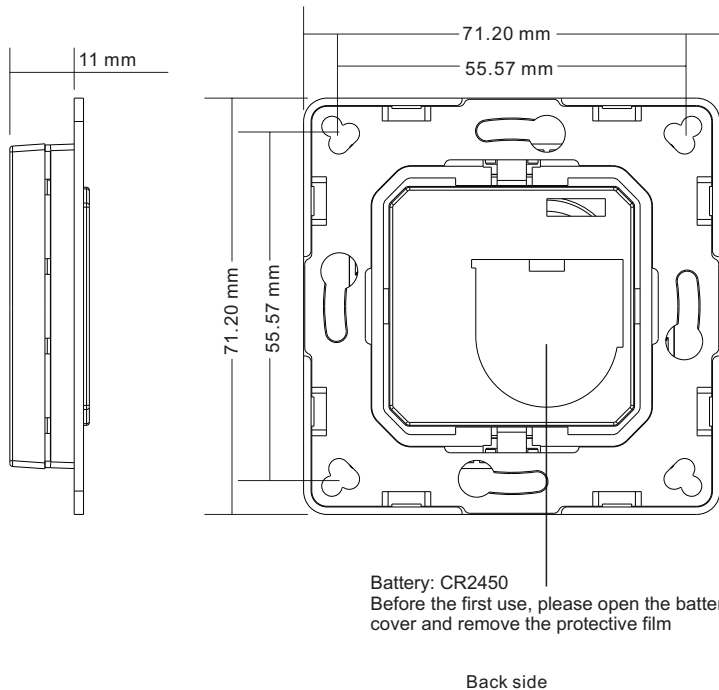
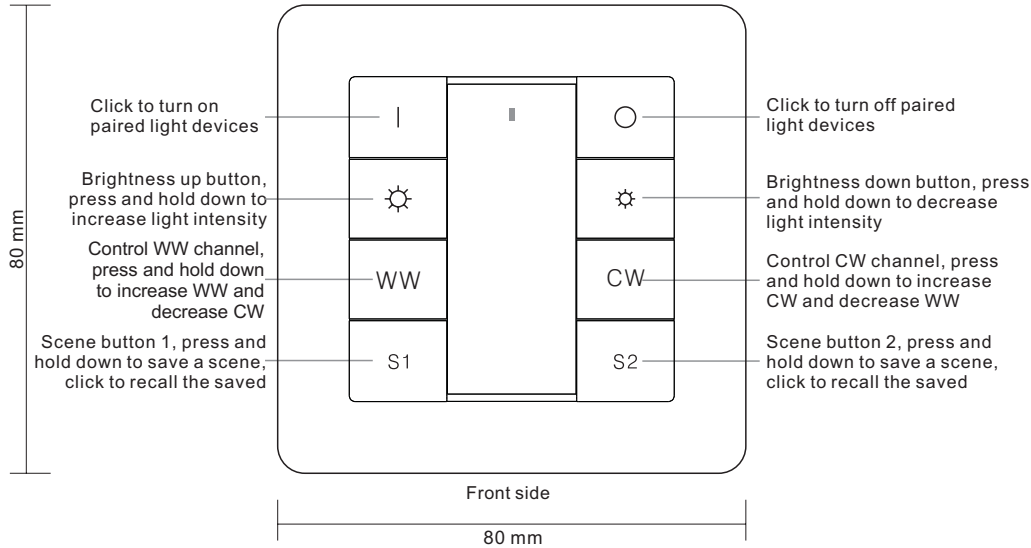
RF+Bluetooth CCT Wall Mounted Remote

70200047



Important: Read All Instructions Prior to Installation

Function introduction



Product Data

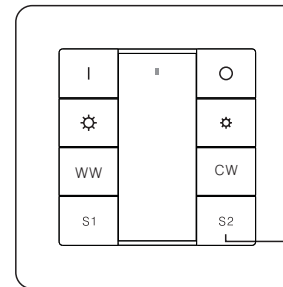
Output	RF+Bluetooth signal
Operation Frequency	2.4GHz
Power Supply	3V(1xCR2450 battery)
Operating temperature	0-40°C
Relative humidity	8% to 80%
Dimensions	80x80x13.6mm

- RF+Bluetooth CCT remote
- Control 1 zone of RF+Bluetooth receiver
- Enables to save and recall 2 scenes for each zone
- Easy & quick pairing to the RF+Bluetooth receivers by simply pushing the buttons
- Mesh network for further control distance, receivers can transmit signal to each other
- Each remote can control numerous receivers
- Each receiver can be paired to max. 8 remote controls
- The controlled receiver status can be quickly synchronized to the smart APP
- Transmission range between every two neighbor devices up to 30m
- Bluetooth low power consumption technology, long battery life
- Waterproof grade: IP20

Safety & Warnings

- This device contains a button lithium battery that shall be stored and disposed properly.
- DO NOT expose the device to moisture.

Pair with RF+Bluetooth receiver



Step 1: Do wiring the RF+Bluetooth receiver according to wiring diagram (please refer to the instruction of RF+Bluetooth receiver that you would like to pair with).



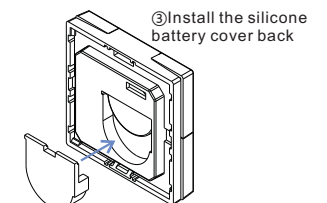
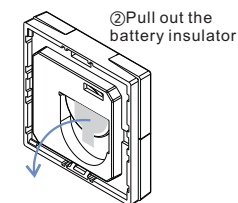
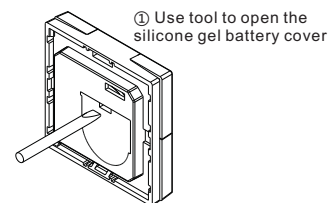
Step 2: Click the "Prog. Key" or "Reset" button on RF+Bluetooth receiver (or reset power of the receiver 3 times continuously if the button is not accessible) to set it into pairing to RF remote status

Step 3: Click any button of the remote (e.g. button S2), LED lights connected with the receiver flicker means the receiver is paired with the remote successfully.

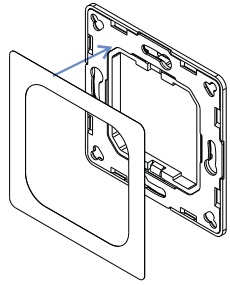
Note: one receiver can be paired with max 8 remote controls.

Installation

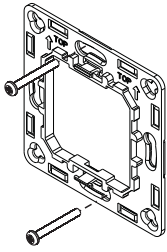
1. Remove battery insulator



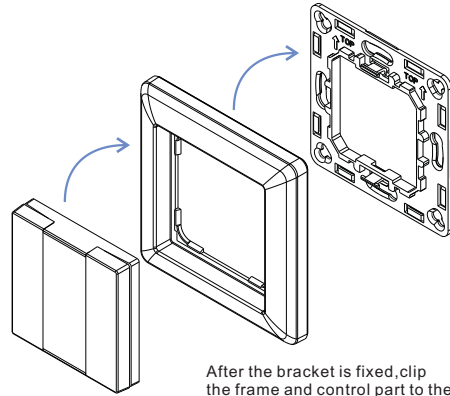
2. Install the controller to wall(2 methods)



Method 1: Stick 3M glue on the back of the bracket and then stick the bracket to the wall



Method 2: Screw the bracket to the wall



After the bracket is fixed, clip the frame and control part to the bracket in sequence

The key part of this controller is a universal, standard size design switch element that can be integrated in numerous frames by different manufactures as below list:

BEKER	S1, B1, B3, B7 glass
GIRA	Standard55, E2, Event, Esprit
JUNG	A500, Aplus
MERTEN	M-smart, M-Arc, M-Plan