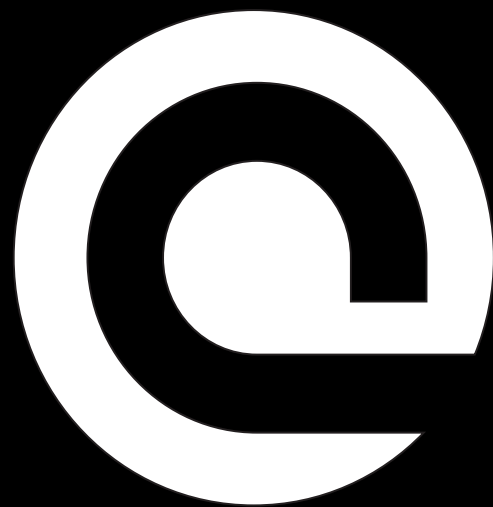
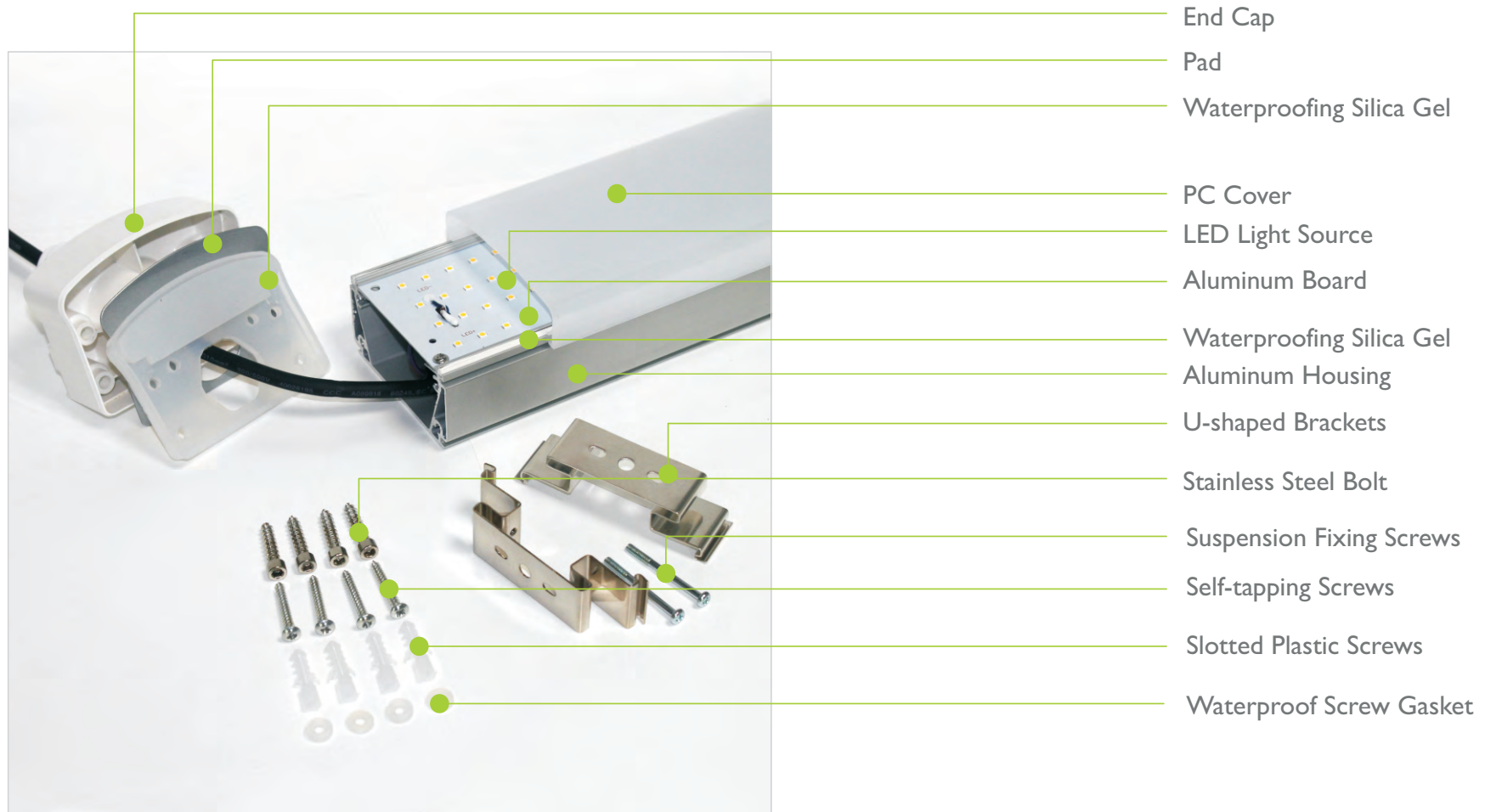


REZISTA WAREHOUSE – PARKING SERIES PRO



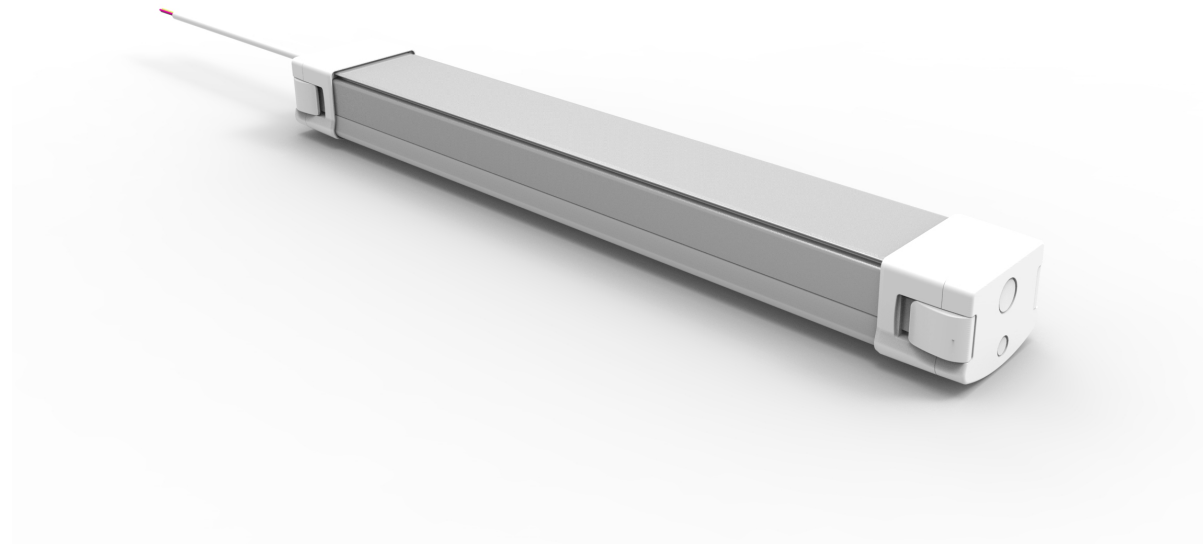
عبارت

## Internal Structure



## Features

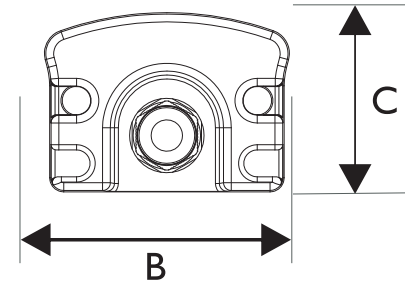
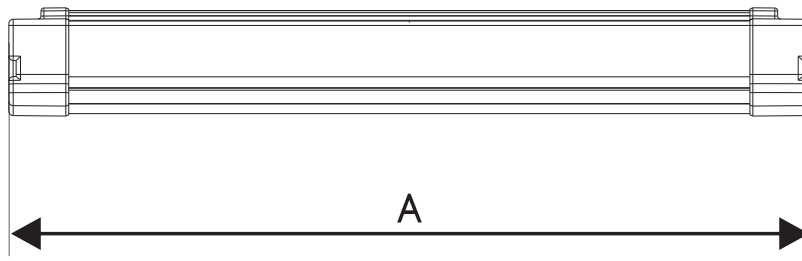
- Unique patent design, TUV-GS, UL, DLC, SAA, ERP, CE certified.
- Water-proof, Dust-proof, Damp-proof, Pressure-proof.
- High luminous efficiency 100 -150LM/W.
- Maximum 3M Long for single product .
- Excellent heat dissipation support stable quality.
- Convention installation for linking in series.
- Low light decay, L70=50,000 Hours.
- High impact test, IK10.
- Long lifespan 50,000 hours.
- Energy saving up to 80%.
- 5 years warranty.



## Application

- Parking place
- Airport
- Railway / Bus / MTR Station
- Supermarket
- Tunnel / Corridor / Gallery
- Exhibition Hall
- Warehouse / Factory
- Gas station

# Dimension

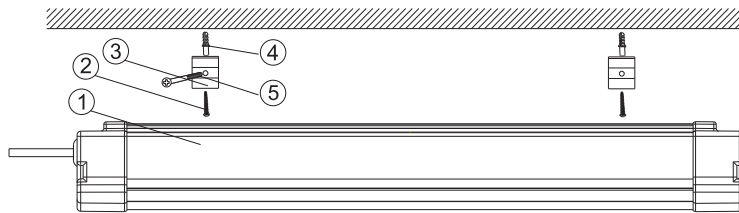


length	A		B		C
	Min.mm	Min.mm	Max.mm	Max.mm	Min.mm
600	600	93	94		69
1200	1200	93	94		69
1500	1500	93	94		69

## Data Sheet

Item code	Input Voltage	Dimension	Power	LEDs	Lifespan	PF	Luminous Flux	Luminous Efficiency	CRI	THD	Power Efficiency
JB-A65X2-20-X	200-240V	600x94x69	20W	180	50.000 hrs	>0.95	2600-3000LM	130-150LM/W	>80	<15%	>0.88
JB-A65X2-30-X	200-240V	600x94x69	30W	240	50.000 hrs	>0.95	3900-4500LM	130-150LM/W	>80	<15%	>0.88
JB-A65X4-40-X	200-240V	1200x94x69	40W	288	50.000 hrs	>0.95	5200-6000LM	130-150LM/W	>80	<15%	>0.88
JB-A65X4-50-X	200-240V	1200x94x69	50W	336	50.000 hrs	>0.95	6500-7500LM	130-150LM/W	>80	<15%	>0.88
JB-A65X5-50-X	200-240V	1500x94x69	50W	336	50.000 hrs	>0.95	6500-7500LM	130-150LM/W	>80	<15%	>0.88
JBL-A65X5-60-X	200-240V	1500x94x69	60W	432	50.000 hrs	>0.95	7800-9000LM	130-150LM/W	>80	<15%	>0.88

# Ceiling Mounted Installation

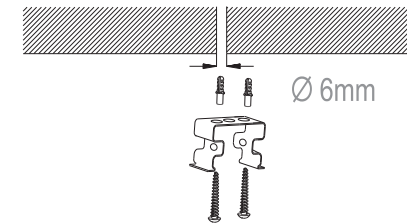


Standard parts list

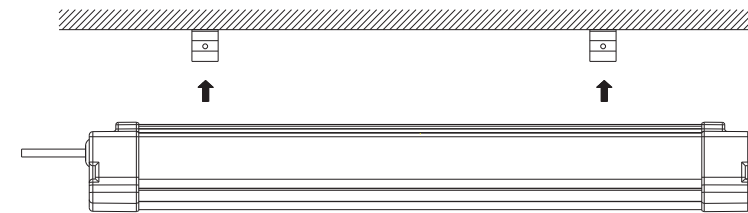
1	LED Tri-proof Light	1PC
2	U-shape Brackets	4PCS
3	Self-tapping screws	2PCS
4	Slotted plastic screws	4PCS
5	PM4X40 screws	2PCS

\* Ceiling Mounted accessories are Jibe Configuration.

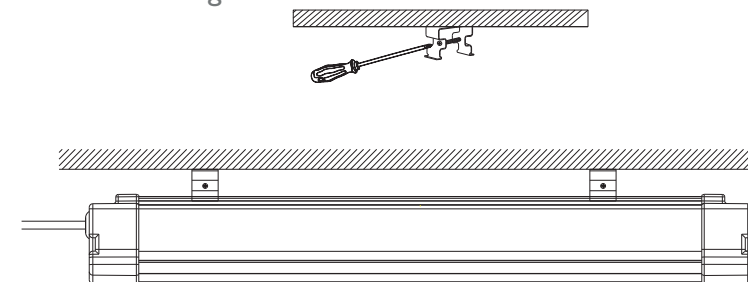
- ① Insert  $\Phi 6\text{mm}$  expansion pipe into the hole and fix the bracket by M4 screw.



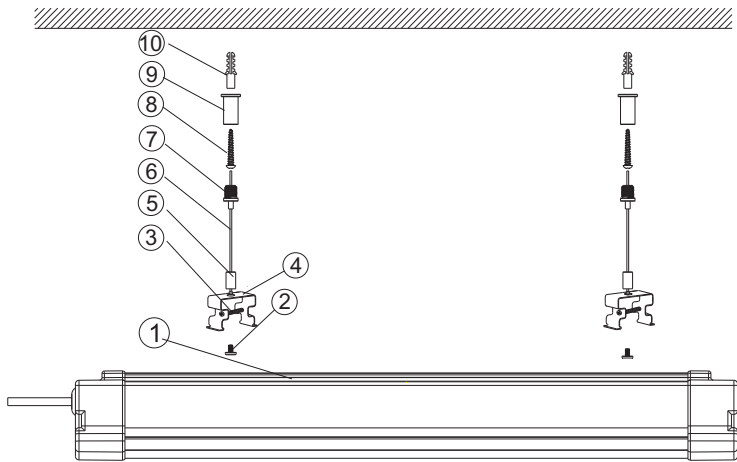
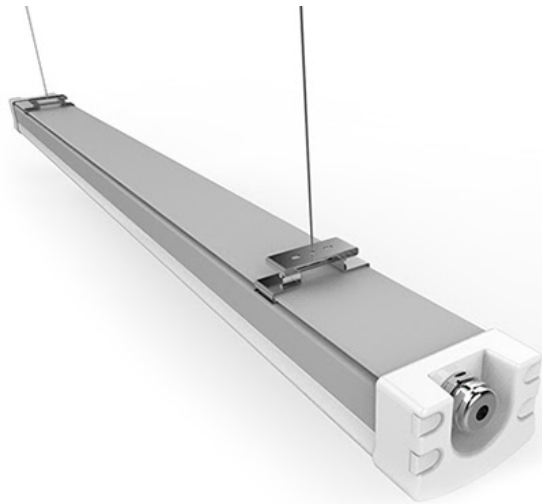
- ② Ceiling Installation



Tighten the screw with screwdriver



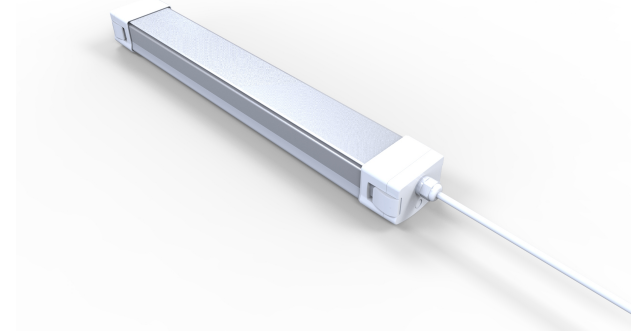
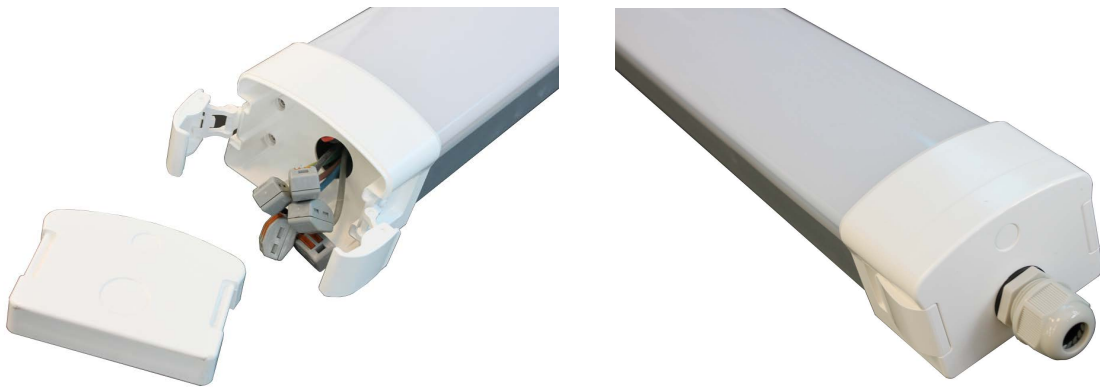
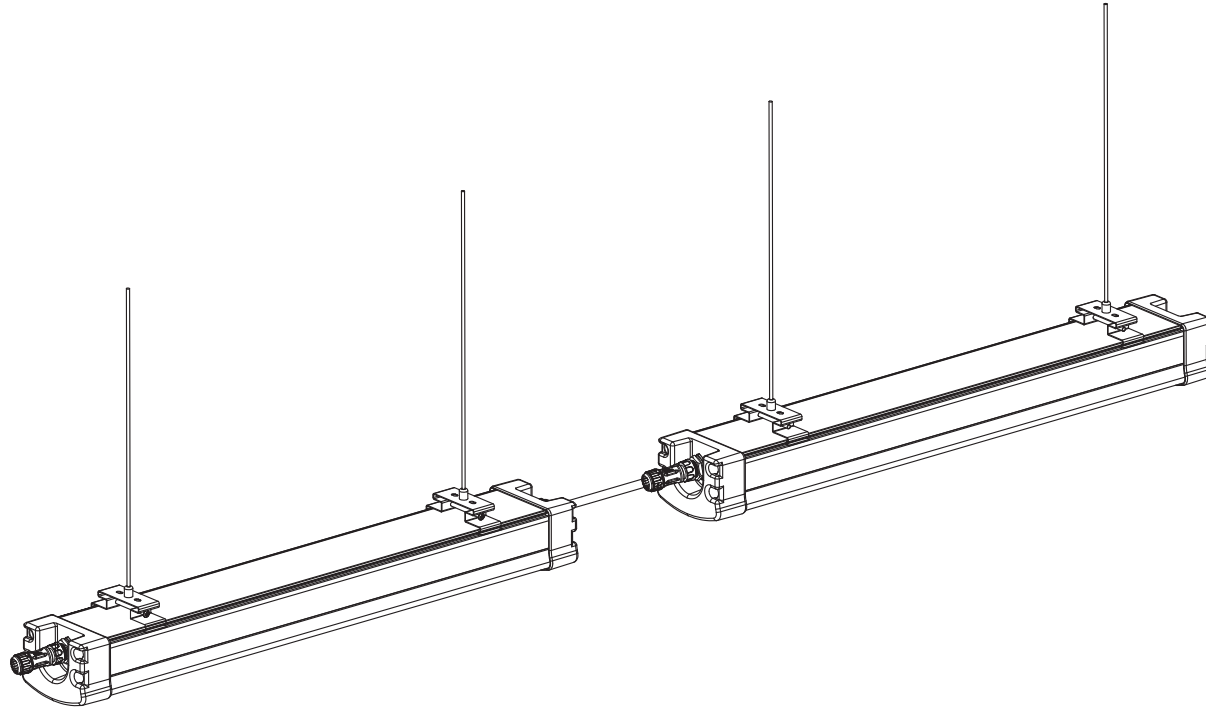
## Suspended Installation



1	LED Tri-proof Light	1PC
2	Ring washer	2PCS
3	Suspension fixing screws	2PCS
4	U-shape brackets	2PCS
5	Suspension fixing nuts	2PCS
6	Suspension wires	2PCS
7	Suspension fixing bushings	2PCS
8	Self-tapping screws	2PCS
9	light fixing bushing cap	2PCS
10	Slotted plastic screws	2PCS

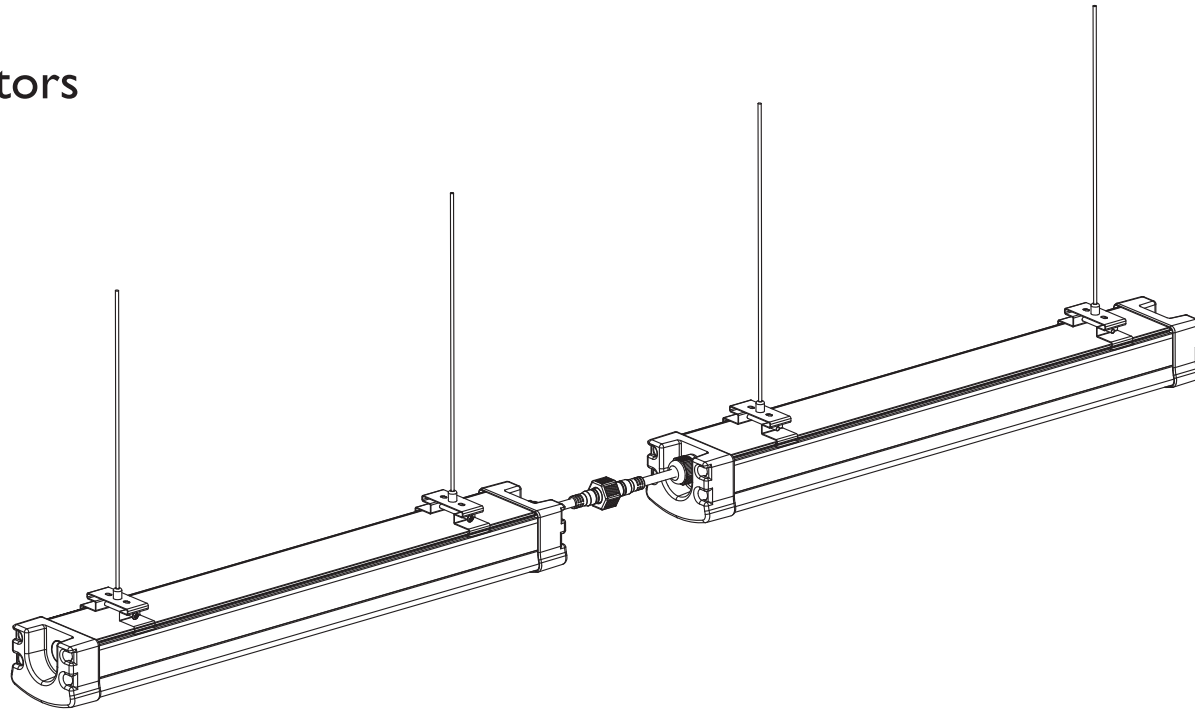
\* Suspended accessories need to be paid additionally.

■ Details





## Optional Connectors



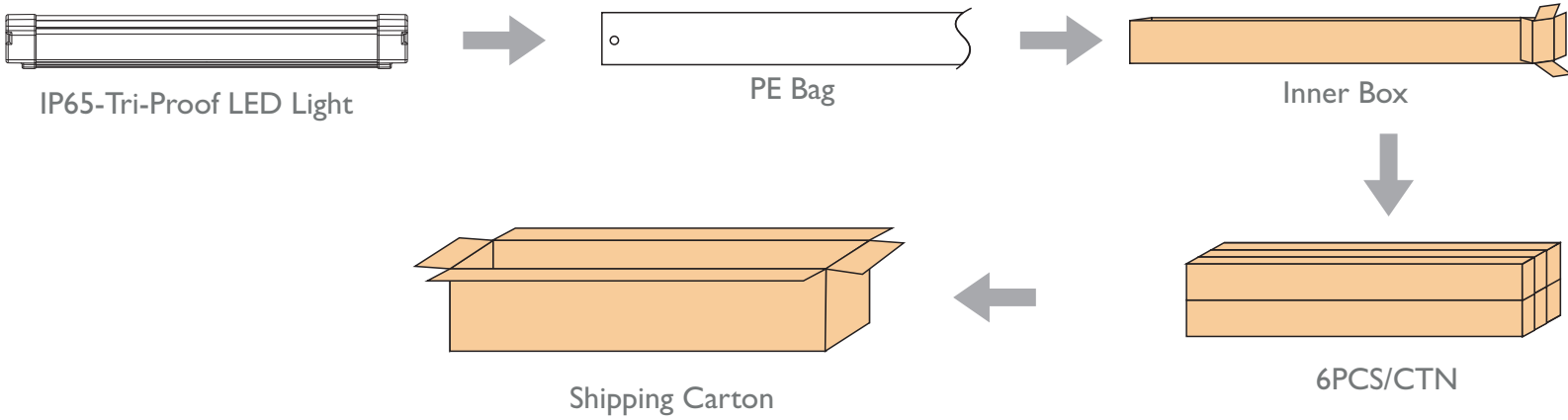
1. Joint Female and Male connector together.



2. Lock the waterproof cap tightly.

PLS NOTE: Above connectors and wire are fixed, need to confirm the detailed length correctly, and pay it additionally.

# Package



Item code	Dimension	Carton Size	N.W. (kg) /PC	G. W. (kg) /CTN
JB-A65X2-20-X	600*94*69mm	695*255*270mm	1.2	9.2
JB-A65X2-30-X	600*94*69mm	695*255*270mm	1.2	9.2
JB-A65X4-40-X	1200*94*69mm	1295*255*270mm	2	16
JB-A65X4-50-X	1200*94*69mm	1295*255*270mm	2	16
JB-A65X5-50-X	1500*94*69mm	1595*255*270mm	2.6	20
JB-A65X5-60-X	1500*94*69mm	1595*255*270mm	2.6	20

**Warning:**

This lamp cannot be installed directly outdoor  
 Jibe Lighting reserves the right to change these specifications without further and prior notice

