

Retractable Gate

USER MANUAL(GUIDE)

Customer Service

For any questions, please feel free to contact us on:

Email: support@babeliobaby.com

Social Channels



2017-2022 babelio All rights reserved

UK REP Prolinx Global LTD
27 Old Gloucester Street London, WC1N 3AX, UK

Manufacturer: Hong Kong Lute Technology Co., Limited
Address: Room 02, 21/F, Hip Kwan Commercial Building, 38 Pitt Street, Yau Ma Tei, Kowloon, Hongkong
E-mail: support@babeliobaby.com

Product Name: Baby Safety Gate
Model Number: CB-M-101
Date code: 2022-10

US Importer:
Company: PACIFIC FORTUNE MANAGEMENT INC
Address: 145 E Duarte RD Suite AA 198 Arcadia CA 91006
Telephone: 213-820-0156

EC REP Prolinx GmbH
Brehmstr. 56, 40239 Duesseldorf Germany

Hersteller: Hong Kong Lute Technology Co., Limited
Address: Room 02, 21/F, Hip Kwan Commercial Building, 38 Pitt Street, Yau Ma Tei, Kowloon, Hongkong
E-Mail: support@babeliobaby.com

Produckname: Baby-Sicherheitsgitter
Modellnummer: CB-M-101
Datumscode: 2022-10

MADE IN CHINA. / FABRIQUÉ EN CHINE.
HECHO EN CHINA. / HERGESTELLT IN CHINA.
GEMAAKT IN CHINA. / FABBRICATO IN CINA.

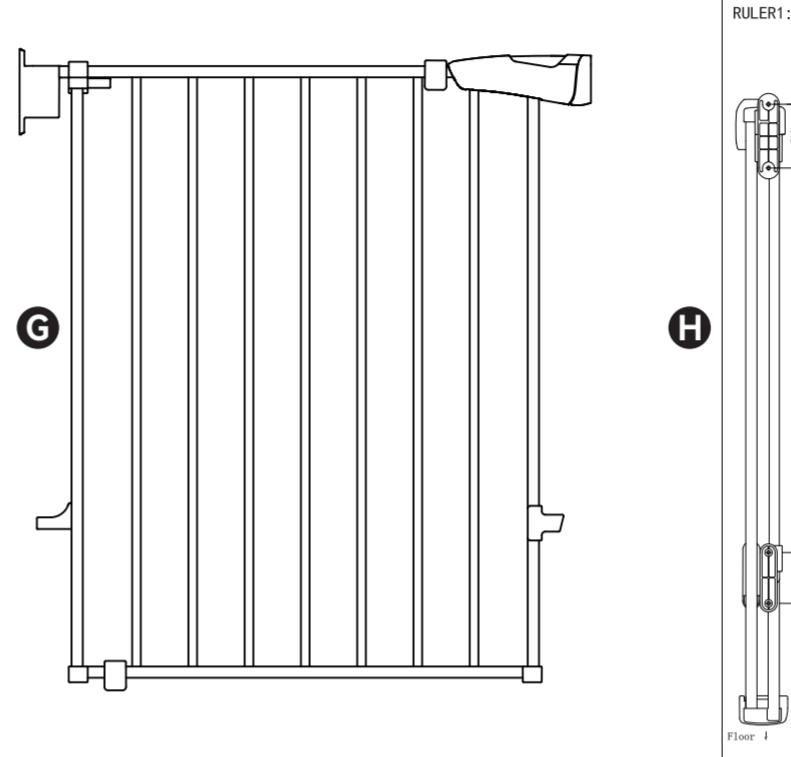
WARNING

- Mounting hardware must be mounted into a stud in the wall.
- If the door must be installed at the top of the stairs, the door should be at least 6 inches from the leading edge of the top stairs.
- Gate must swing away from stairs when opening.

Product and Accessories List

Your safety gate contains the following:

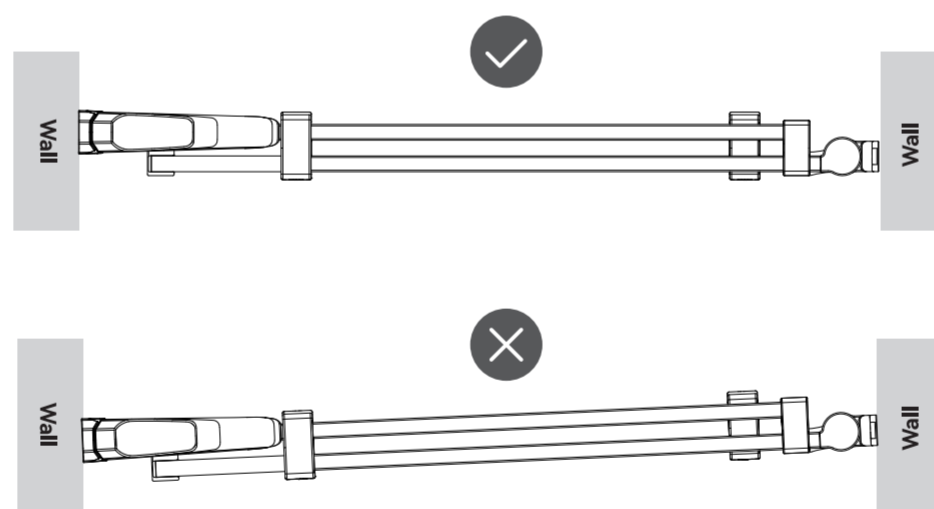
- | | | |
|----------|--|----|
| A | | x1 |
| B | | x1 |
| C | | x1 |
| D | | x1 |
| E | | x1 |
| F | | x2 |
- (The latch is not in the hardware package, the latch is installed on the door rail)



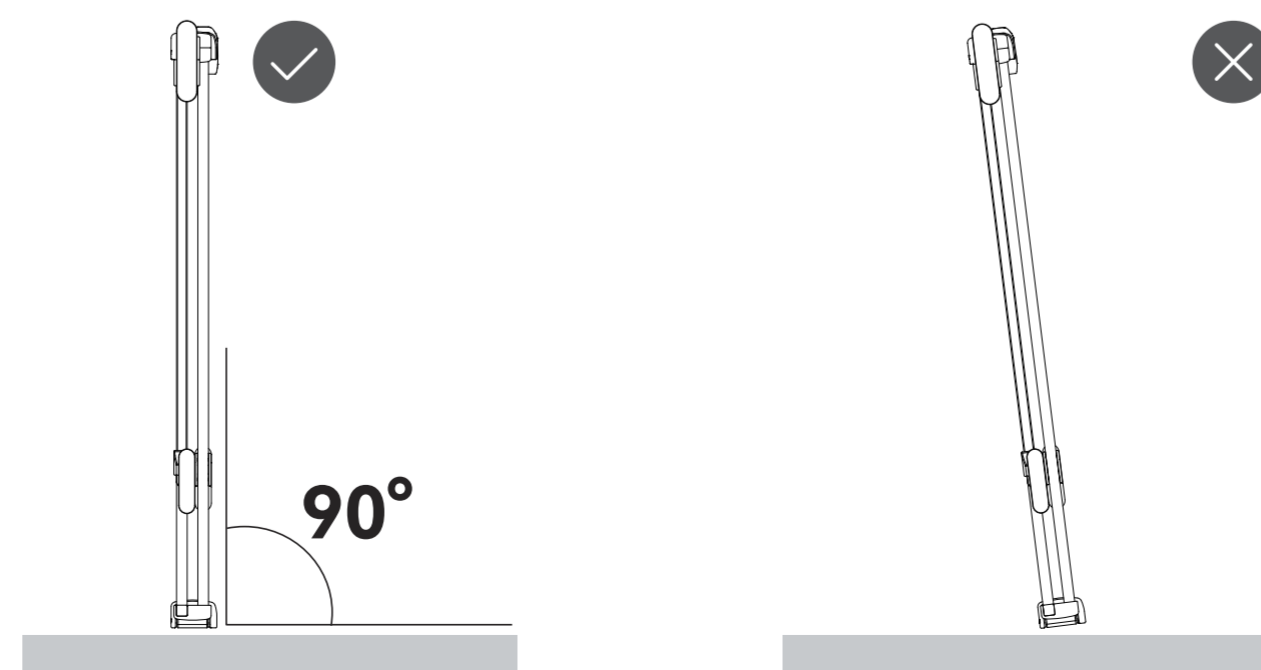
PLEASE CHECK TO MAKE SURE YOU HAVE THE FOLLOWING PARTS:

- | | | | |
|----------------------|-------------------------|---------------------|----------------------|
| A Wall Anchor | B Mounting Screw | C Wall Hinge | D Lower Latch |
| E Upper Latch | F E-latch | G Gate Frame | H Template |

Top View



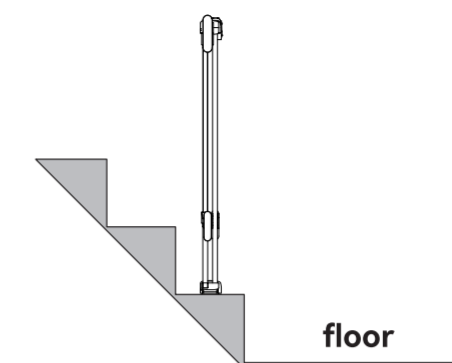
Side View



Installation Location

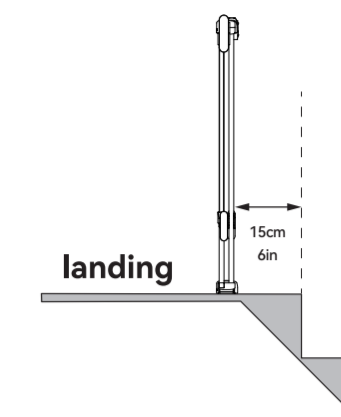
Bottom of stairs

If the gate is used at the bottom of the stairs, it must be placed on the lowest stair to prevent children from climbing upstairs.



Top of stairs

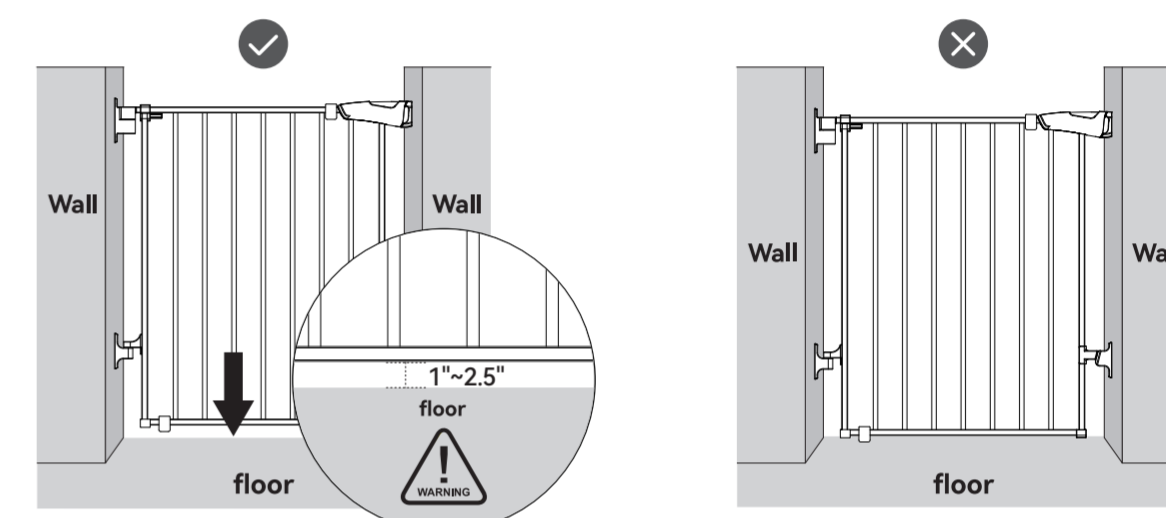
If the gate is used at the top of the stairs, it must be placed 15 cm (6 in) back from the top step to prevent children from falling down the stairs.



Doorway & Opening

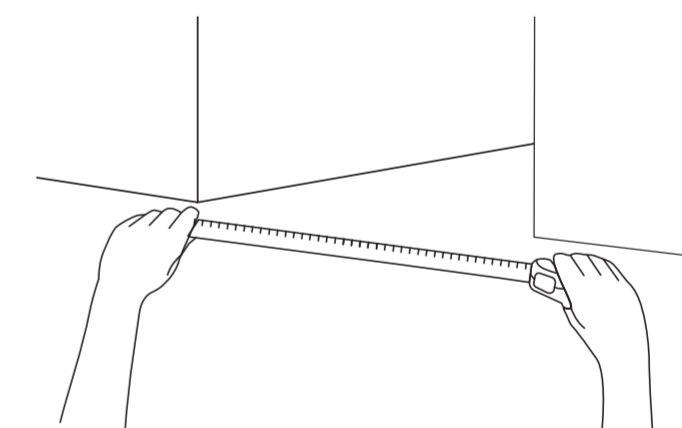
NOTE: The maximum spacing from the floor to bottom of gate is 2.5", the minimum spacing is 1"

Front View



Hardware Installation

1

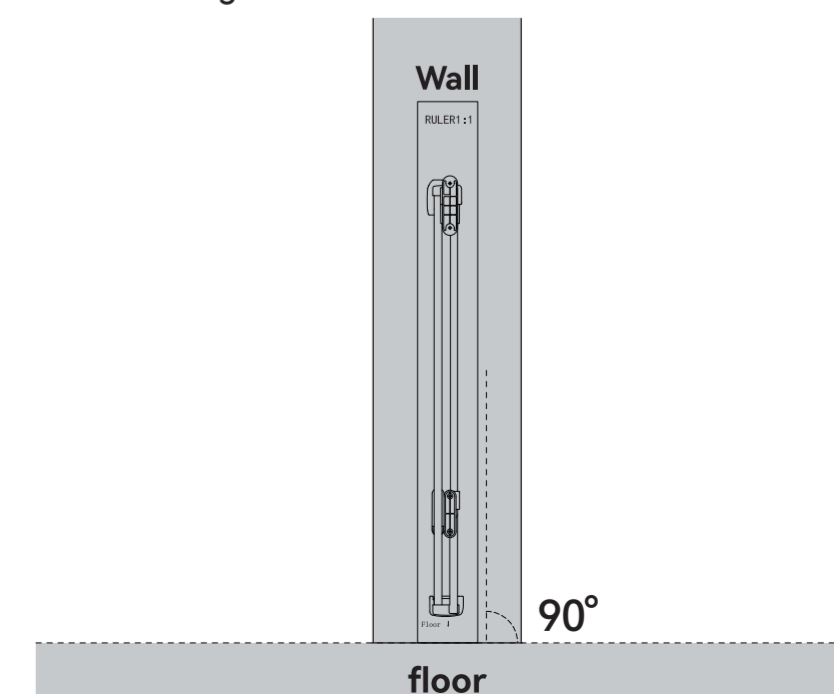


Use a tape measure to figure out the opening width.

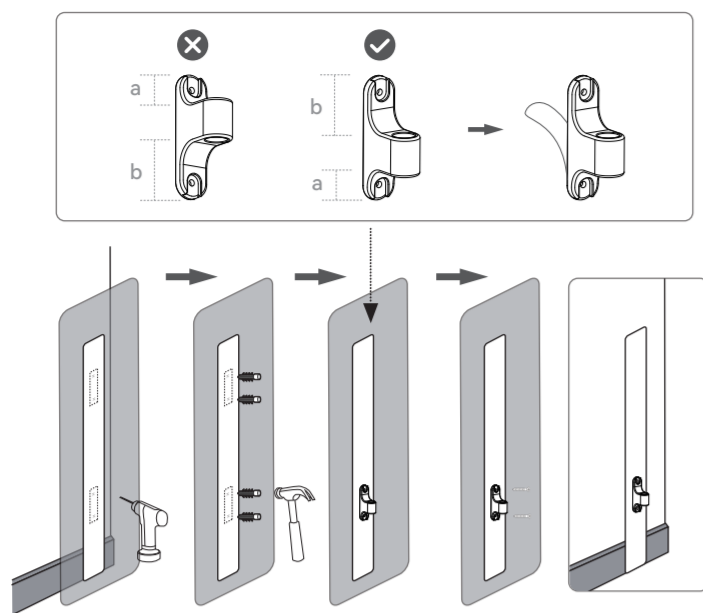
2

Paste template

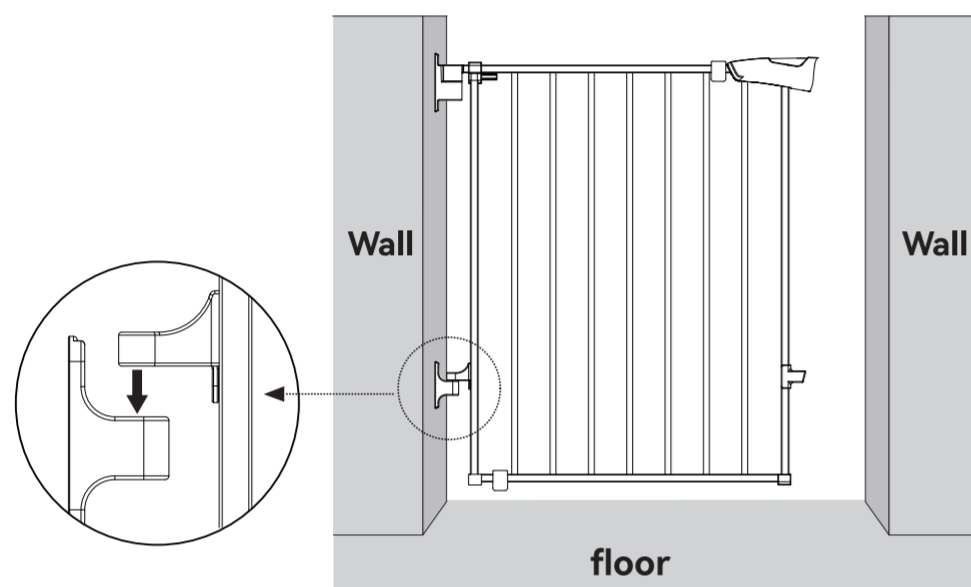
NOTE: The bottom of the template must be close to the ground and kept perpendicular to the ground



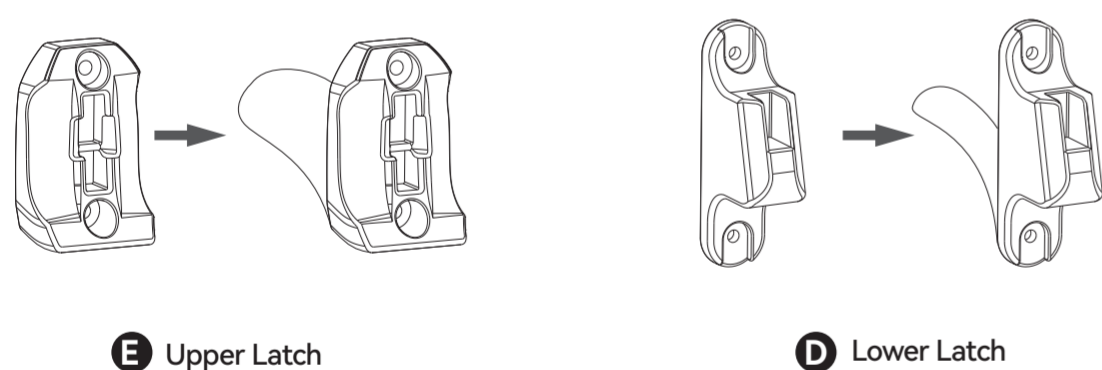
3 Install the lower shaft
NOTE: When installing the lower shaft, please keep the b end facing up and the a end facing the ground



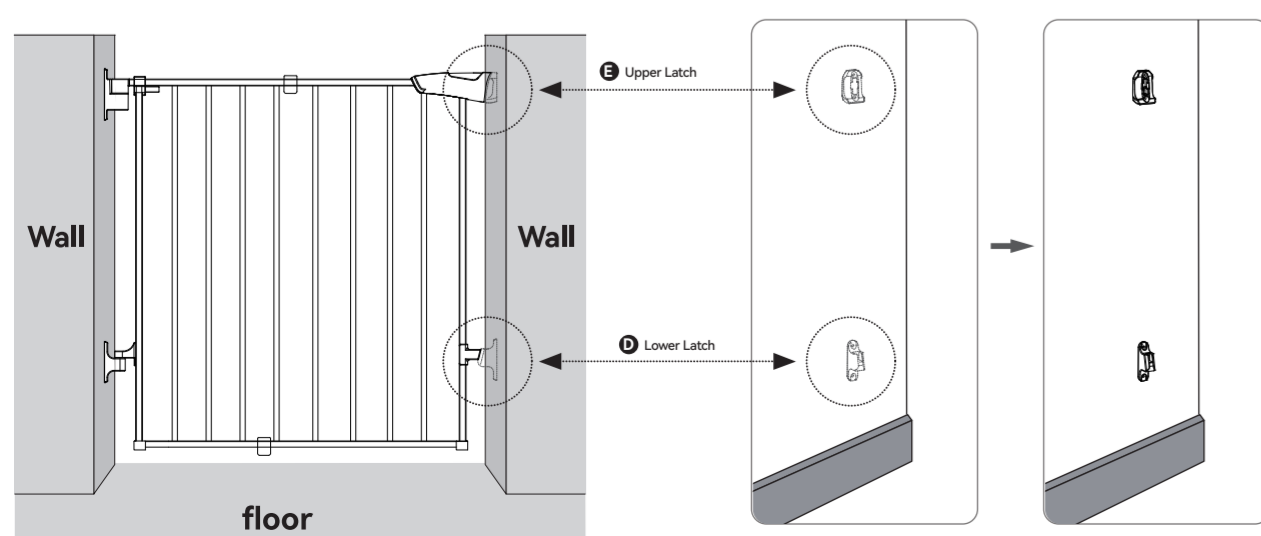
4 Install the upper shaft



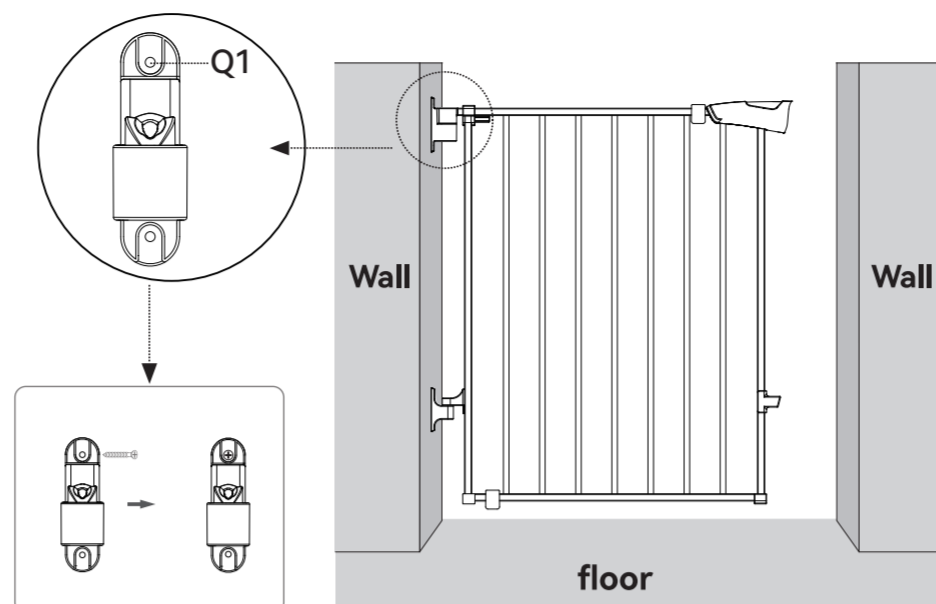
9 Tear off the sticker



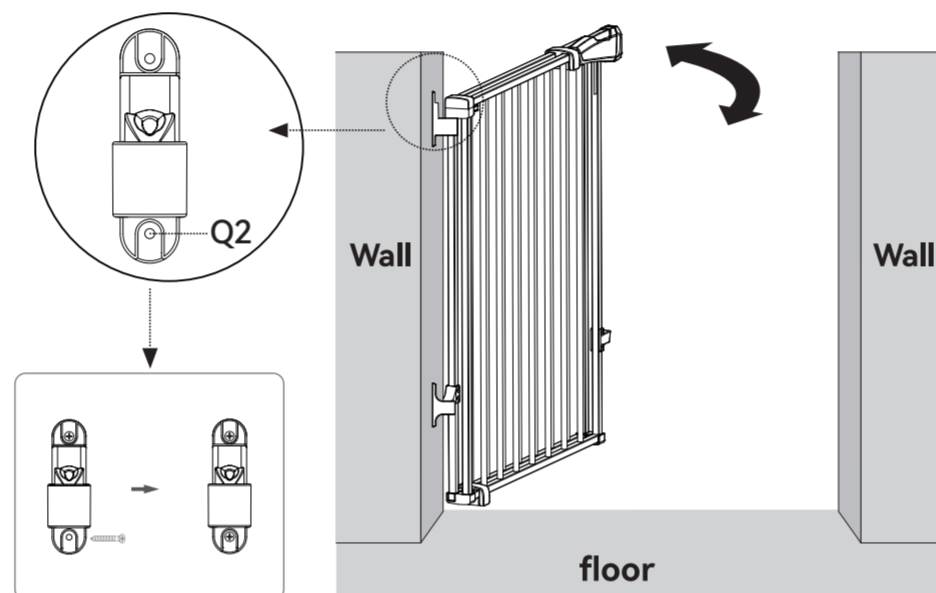
10 Paste D and E to the wall



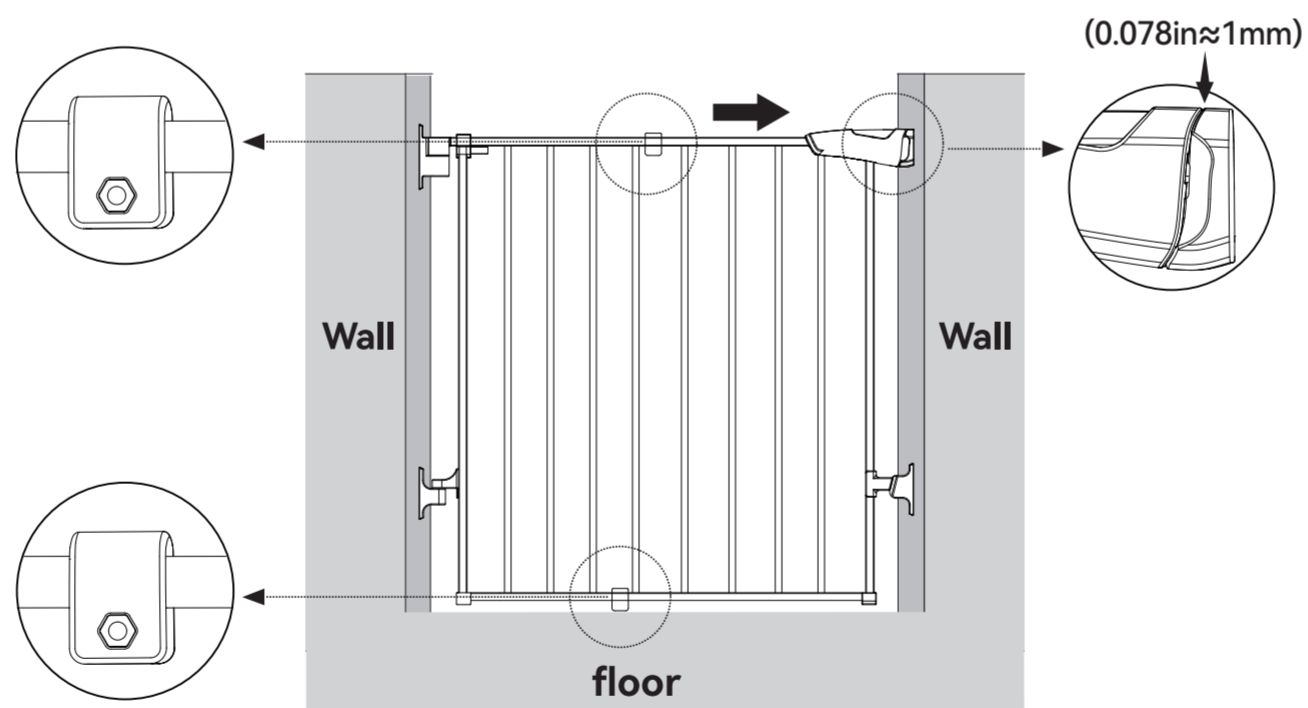
5 Tighten the Q1 screw
NOTE: Keep the door frame closed when tightening the Q1 screw



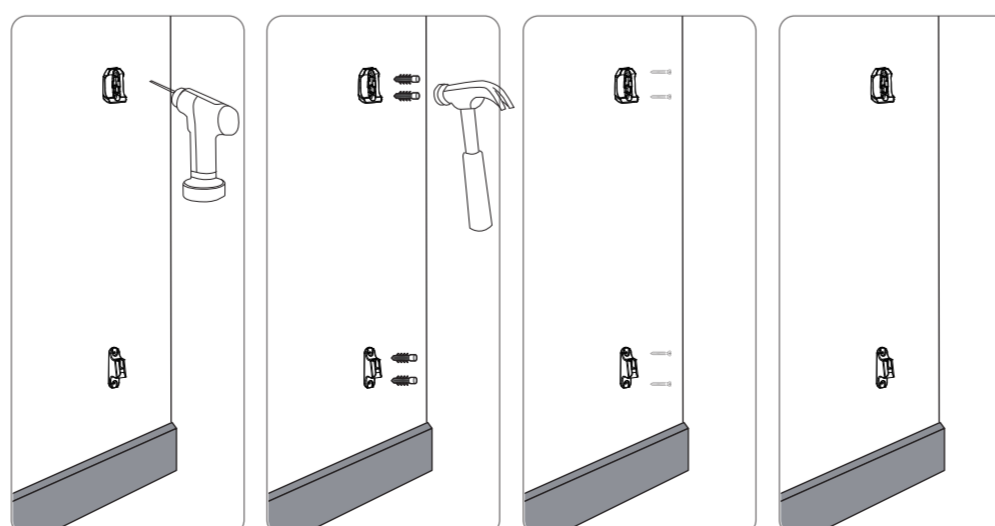
6 Tighten the Q2 screw
NOTE: Keep the door frame open while tightening the Q2 screw



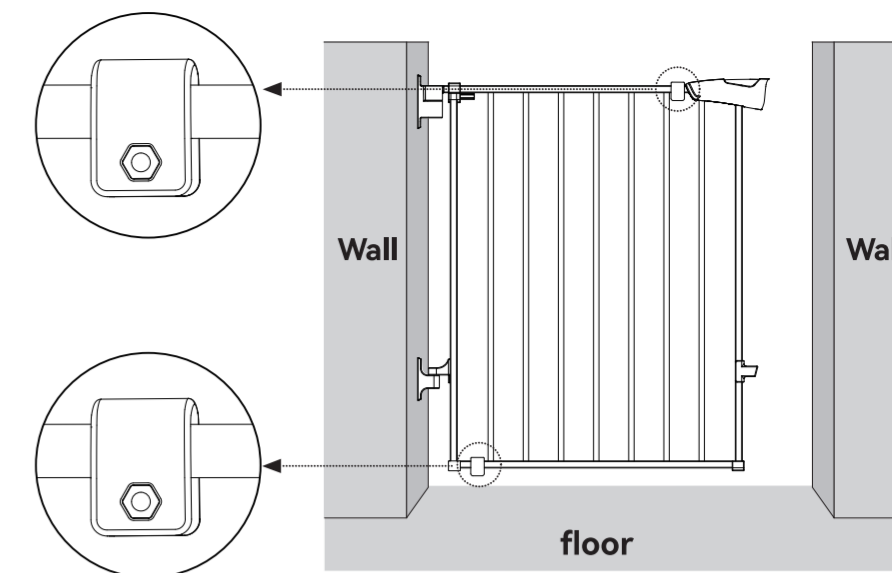
11 Adjust the width of the door frame again, so that the distance between the handle and the upper latch is less than 0.078in, and then lock the E-latch



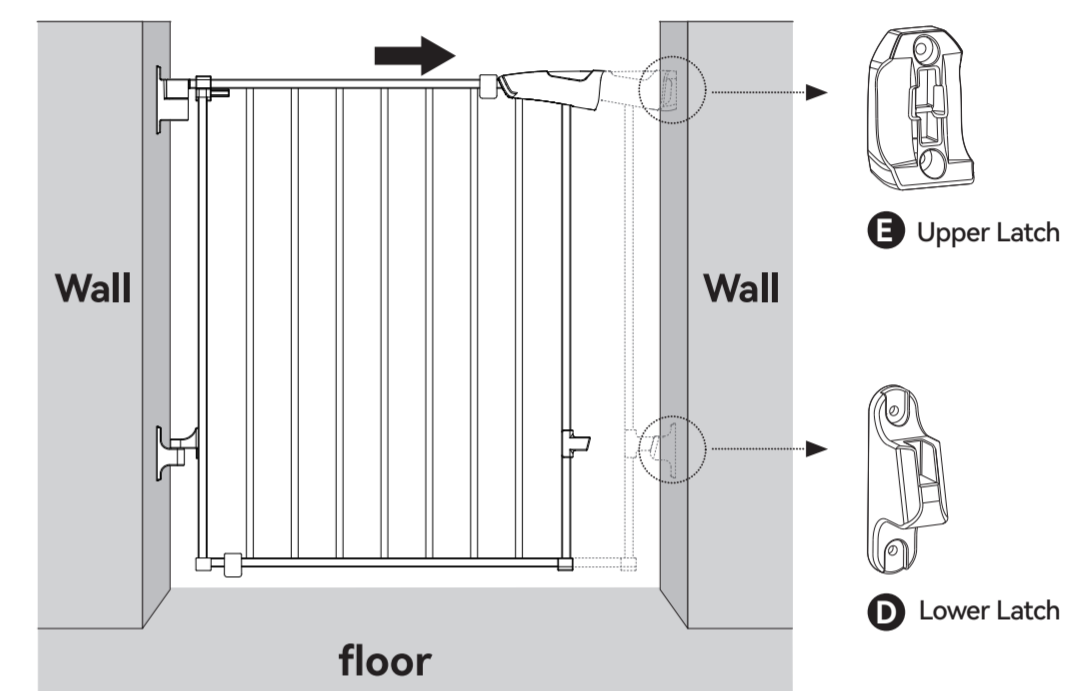
12 Open the door frame, install the upper latch and lower latches



7 Unscrew the E-latch



8 Extend the door rail to the wall and determine the sticking position of D and E



! WARNING

Children have died or been seriously injured when gates are not securely installed.

- ALWAYS install and use gate as directed using all required parts.
- Install according to manufacturer's instructions.
- STOP using when a child can climb over or dislodge the gate.
- Use only with locking/latching mechanism securely engaged.
- NEVER use a gate to keep child away from pool.
- NEVER leave child unattended.
- TO prevent falls, never use at top of stairs without wall mounting cups and door stopper.
- Always close and lock gate behind you.
- This product will not necessarily prevent all accident.
- Do not use if any components are missing or damaged.
- Intended for use with children from 6 months-24 months.
- Adult assembly required.
- Exercise care when unpacking and assembling product.
- Install with this side AWAY from child.