

Babelio

PROTECTOR

SAFETY GATE USER MANUAL (GUIDE)

Customer Service

For any questions, please feel free to contact us on:

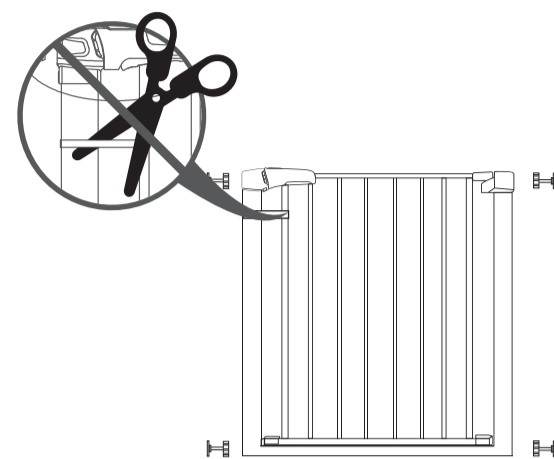
Email: support@babelobaby.com

Social Channels



2017-2022 babelio All rights reserved

Before Installation

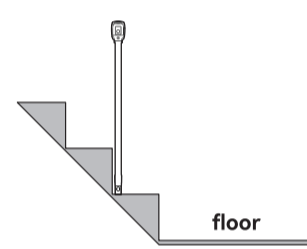


Warning: Please do not cut the zip tie until you finish installation, preventing the gate from swinging back and forth.

Installation Location

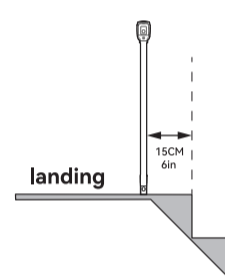
Bottom of stairs

If the gate is used at the bottom of the stairs, it must be placed on the lowest stair to prevent children from climbing upstairs.



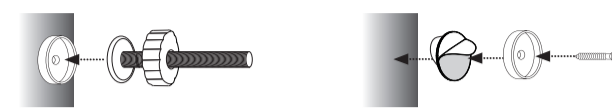
Top of stairs

If the gate is used at the top of the stairs, it must be placed 15cm(6in) back from the top step to prevent children from falling down the stairs.



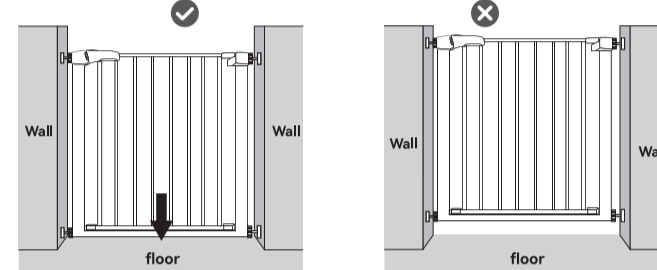
1

Warning: NEVER use the gate on stairs without wall cups or other mounting hardware.

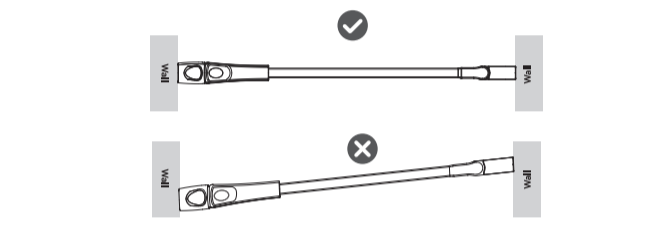


Doorway & Opening
Warning: Install the gate as close to the ground as possible.

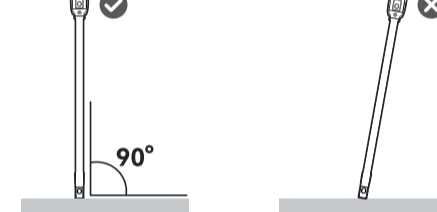
Front View



Top View

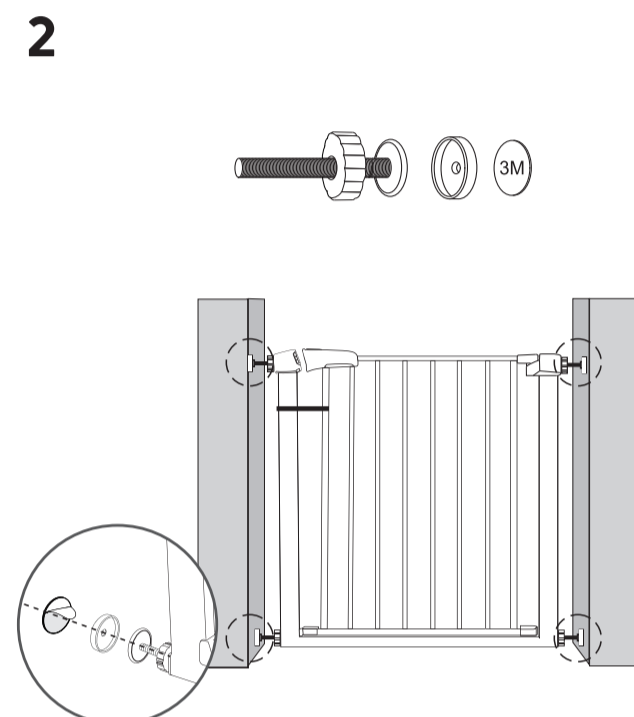
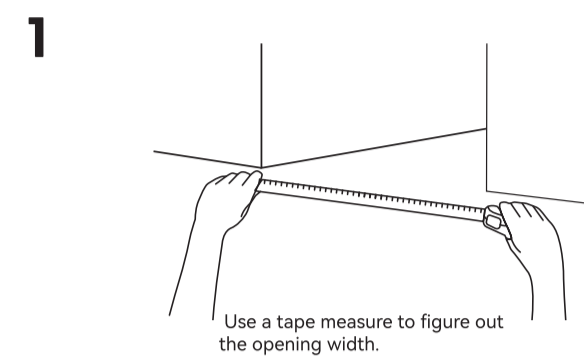


Side View



2

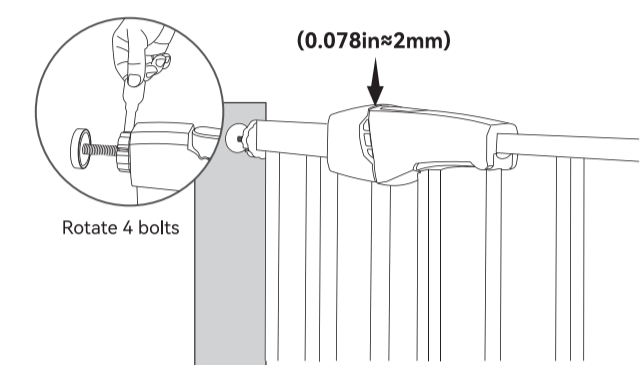
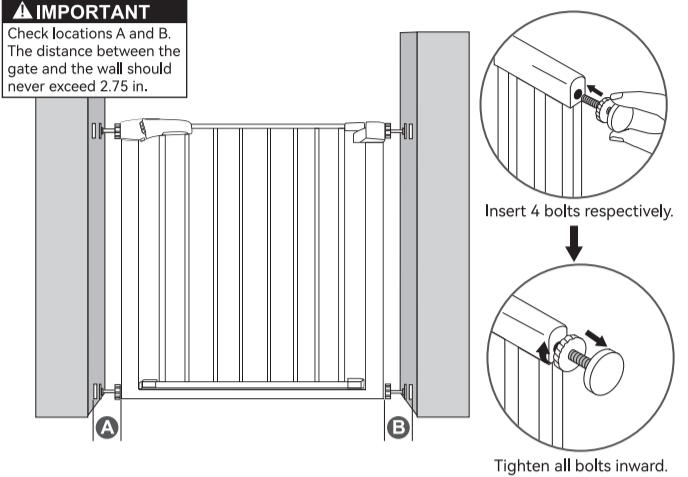
Pressure-Mounted Installation



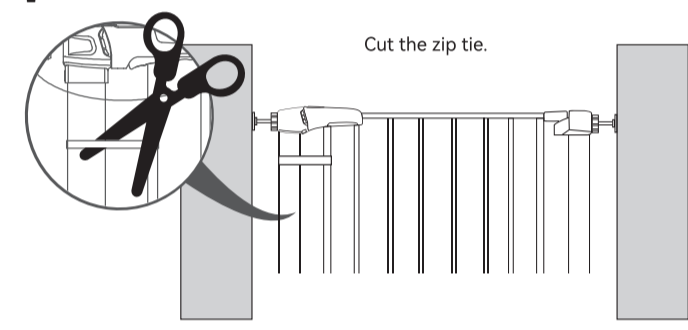
3

3

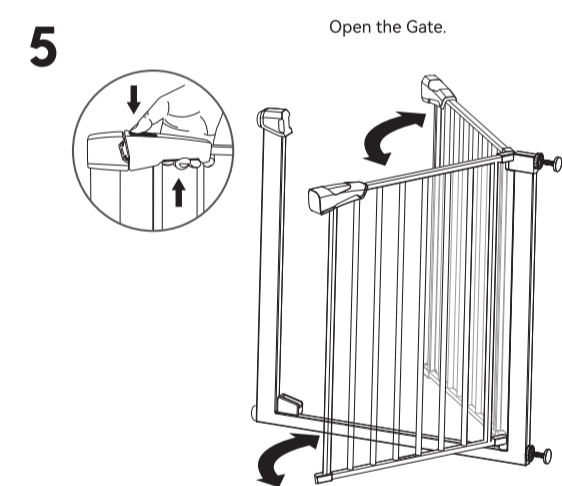
IMPORTANT
Check locations A and B. The distance between the gate and the wall should never exceed 2.75 in.



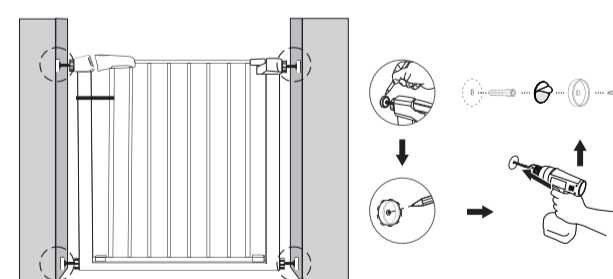
4



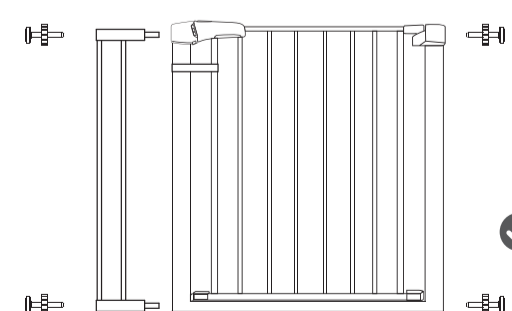
4



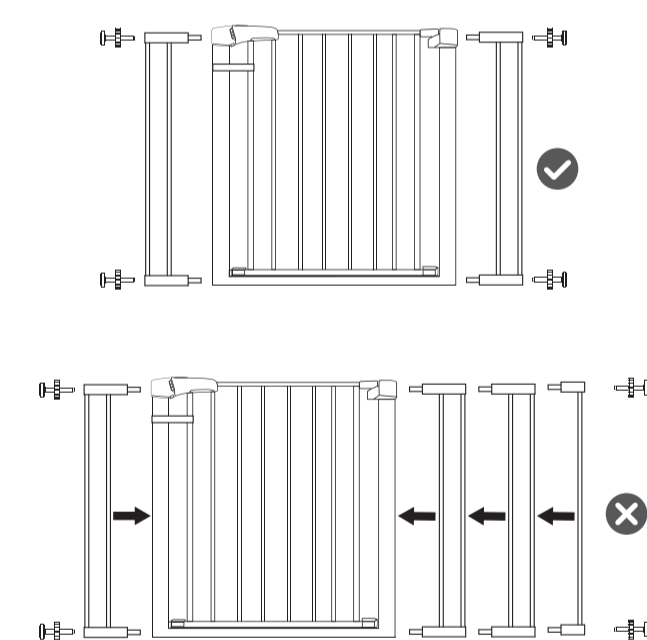
Hardware-Mounted Installation



Use the Gate Extensions



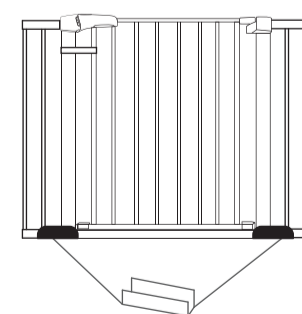
5



Warning: NEVER install three extension frames on the same side of the gate.

Use the Reinforcement Groove

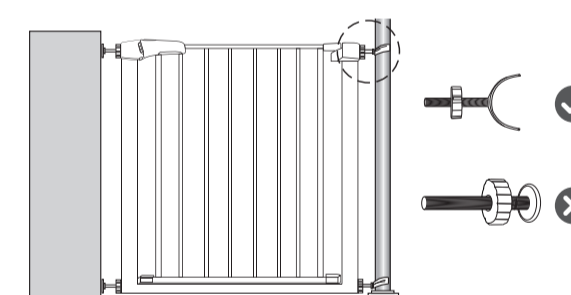
Secure gate extensions with reinforcement groove.



6

Use the Y-Spindle Rod

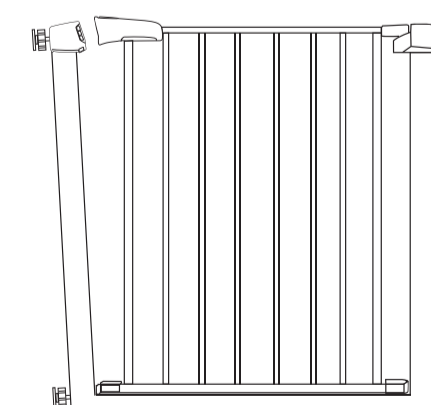
Secure the gate to round baluster with Y-spindle rods.



For stairs with round baluster or baluster with diameter less than 1.2in, install safety gate with the Y-spindle rod.

NOTE

- The gap between the gate latch and the frame is NOT a defect. This gap will be eliminated after installation.
- If you cut off the zip tie before installation, you can still install the safety gate normally.



7

WARNING You MUST install wall cups to keep gate in place. Without wall cups, child can push out and escape.

WARNING

Children have died or been seriously injured when gates are not securely installed.

- ALWAYS install and use gate as directed using all required parts.
- Install according to manufacturer's instructions.
- STOP using when a child can climb over or dislodge the gate.
- Use only with locking/latching mechanism securely engaged.
- NEVER use a gate to keep child away from pool.
- NEVER leave child unattended.
- TO prevent falls, never use at top of stairs without wall mounting cups and door stopper.
- Always close and lock gate behind you.
- This product will not necessarily prevent all accident.
- Do not use if any components are missing or damaged.
- Intended for use with children from 6 months-24 months.
- Adult assembly required.
- Exercise care when unpacking and assembling product.
- Install with this side AWAY from child.

8

Babelio

UK Prolix Global LTD
27 Old Gloucester Street London, WC1N 3AX, UK

Manufacturer: Hong Kong Lite Technology Co., Limited
Address: Room 02, 2/F, Hip Kwai Commercial Building, 38 Pitt Street, Yau Ma Tei, Kowloon, Hongkong
Email: support@babelobaby.com

Product Name: Baby Safety Gate
Model Number: CB-MH-101
Date code: 2022-06

US Importer:
Company: PACIFIC FORTUNE MANAGEMENT INC.
Address: 451 Duane St Suite AA, The Accord, CA 91006
Telephone: 213-820-0156

DE Prolix GmbH
Bismarck, 56, 40239 Düsseldorf Germany

Hersteller: Hong Kong Lite Technology Co., Limited
Address: Room 02, 2/F, Hip Kwai Commercial Building, 38 Pitt Street, Yau Ma Tei, Kowloon, Hongkong
E-Mail: support@babelobaby.com

Produktname: Baby-Sicherheitsgitter
Modellnummer: CB-MH-101
Datumcode: 2022-06

MADE IN CHINA / FABRIQUE EN CHINE
HECHO EN CHINA / HERGESTELLT IN CHINA
GEMAKT IN CHINA / FABRICATO IN CHINA

