

RADIO SURGE PROTECTOR

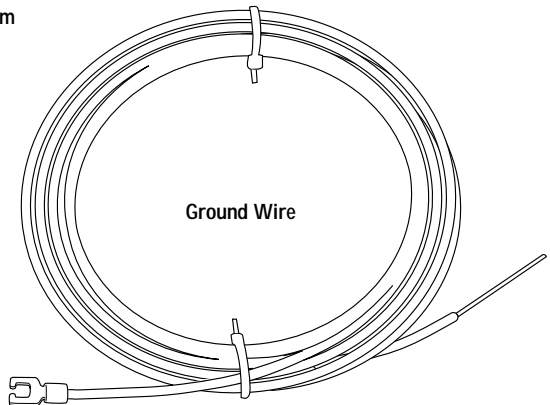
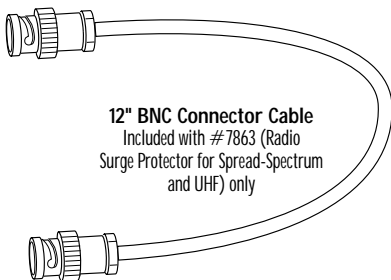
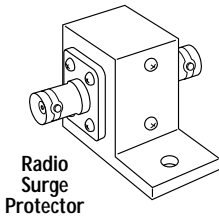
FOR CELLULAR TELEPHONE MODEM,
SPREAD-SPECTRUM RADIO MODEM,
AND UHF RADIO MODEM

The Radio Surge Protector provides surge protection between any antenna cable with BNC connector and the UHF radio modem (UHF-RM), spread-spectrum radio modem (SS-RM), or cellular telephone modem (CTM). The use of the Radio Surge Protector is essential if the UHF-RM, SS-RM, or CTM is being used in an area where lightning induced surges are a possibility.

Note: Davis recommends the use of the Radio Surge Protector for all wireless installations.

COMPONENTS

The Radio Surge Protector comes with the following components. Please make sure you have all listed components before continuing.

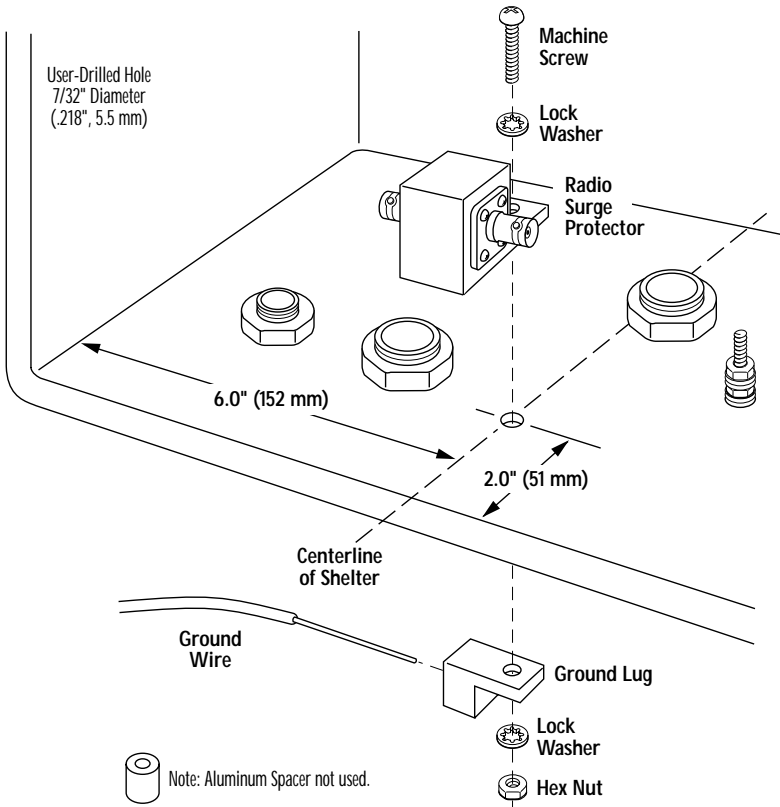


INSTALLING IN COMPLETE SYSTEM SHELTER

Follow the instructions below to install the Radio Surge Protector (referred to as the protector) in the Complete System Shelter (CSS).

1. Using a 7/32" drill bit, drill a hole in the CSS in the location shown below.
2. Install the protector and ground lug as shown below, using the #10-32 x 1" (25 mm) machine screw and the tooth lock washers and #10 hex nut from the mounting hardware kit supplied with the protector.

Note: Do not use the spacer when installing in the CSS.

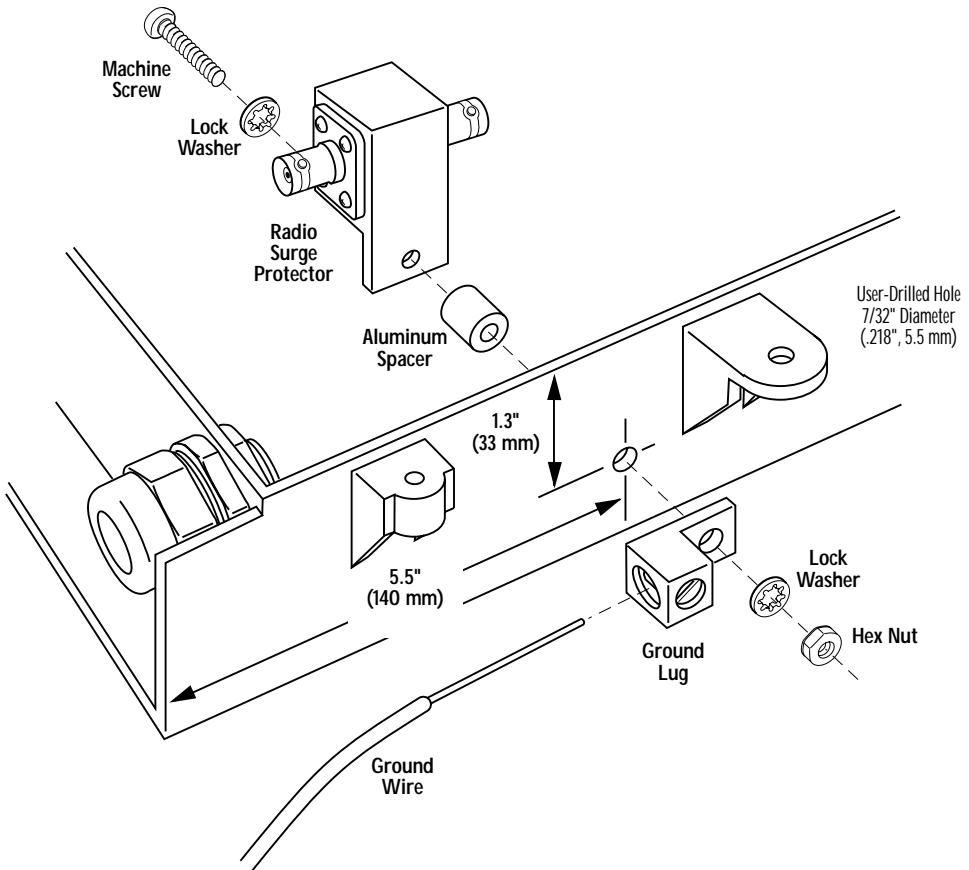


3. Insert one end of the ground wire into the ground lug and tighten.
The use of a heavier ground wire or strap is recommended if nearby lightning strikes are likely.
4. Attach the other end of the ground wire to a suitable earth ground.
5. Connect the cable coming from the antenna to the ANTENNA side of the protector and the cable from the modem to the EQUIPMENT side of the protector.
Consult the manual supplied with your installation kit for exact cabling instructions.

INSTALLING IN MULTI-PURPOSE SHELTER

Follow the instructions below to install the Radio Surge Protector (referred to as the protector) in the Multi-Purpose Shelter (MPS).

1. Using a 7/32" drill bit, drill a hole in the MPS in the location shown below.
2. Install the protector and ground lug as shown below, using the #10-32 x 1" (25 mm) machine screw, spacer, and the tooth lock washers and #10 hex nut from the mounting hardware kit supplied with the protector.



3. Insert one end of the ground wire into the ground lug and tighten.
The use of a heavier ground wire or strap is recommended if nearby lightning strikes are likely.
4. Attach the other end of the ground wire to a suitable earth ground.
5. Connect the cable coming from the antenna to the ANTENNA side of the protector and the cable from the modem to the EQUIPMENT side of the protector.
Consult the manual supplied with your installation kit for exact cabling instructions.

Product Number: 7681 & 7863

Davis Instruments Part Number: 7395-127

Radio Surge Protector For Cellular Telephone Modem, Spread-Spectrum Radio
Modem, and UHF Radio Modem

Rev. A Manual (7/8/99)

This product complies with the essential protection requirements of the EC EMC
Directive 89/336/EC.

© Davis Instruments Corp. 1997. All rights reserved.

DAVIS 
Davis Instruments

3465 Diablo Avenue, Hayward, CA 94545 U.S.A.