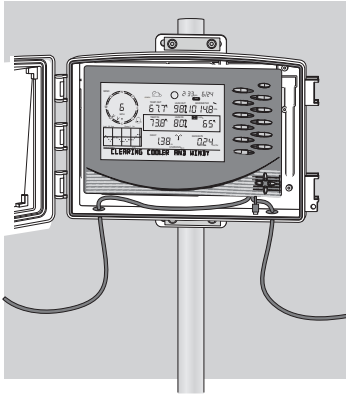


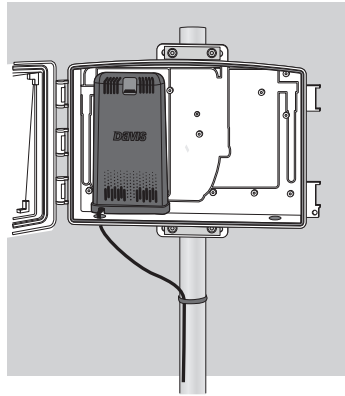
## Using a Universal Shelter

Use a weather-resistant Universal Shelter to shelter your Vantage Vue® console, wireless or cabled Vantage Pro2™ console, EnviroMonitor® IP Gateway or Weather Envoy™ for field installations.

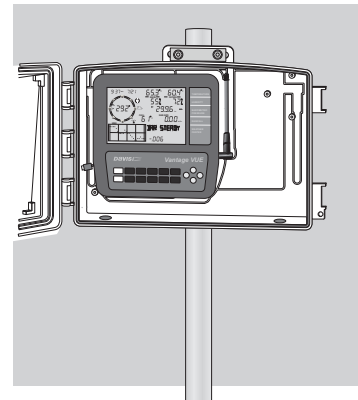
*Note: When powering a Vantage Pro2 console with a Heavy Duty Solar Power Kit, mount the console in a Universal Shelter. (There is not enough room in the Solar Power Kit for the large battery and the console.)*



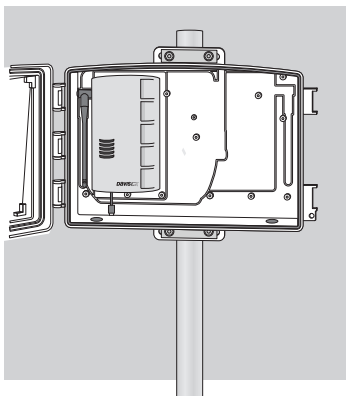
Cabled (shown) or wireless Vantage Pro2 console in Universal Shelter



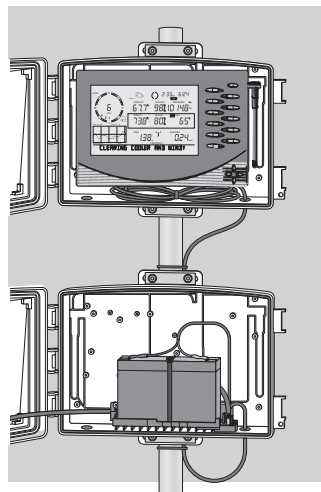
EnviroMonitor IP Gateway in Universal Shelter



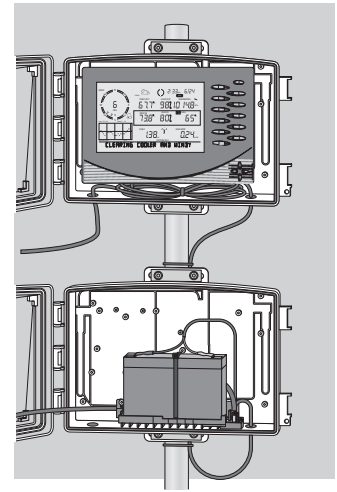
Vantage Vue console in Universal Shelter  
(Shown: console powered by backup batteries)



Cabled or wireless Weather Envoy in Universal Shelter  
(Shown: wireless Weather Envoy powered by backup batteries)



Wireless Vantage Pro2 console in Universal Shelter (top) with Heavy Duty Solar Power Kit (6612, bottom)



Cabled Vantage Pro2 console in Universal Shelter (top) with Heavy Duty Solar Power Kit (6612, bottom)