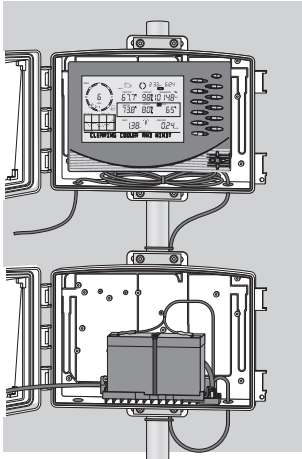


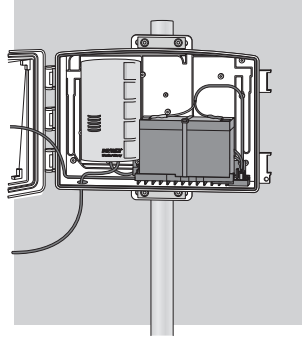
Using a Heavy Duty Solar Power Kit

Use a Heavy Duty Solar Power Kit to power your cabled Vantage Pro2® console or cabled Weather Envoy in remote field installations. The Heavy Duty solar Power Kit includes a weather-resistant shelter; a 5-watt solar panel; a 6-volt, 12 amp-hr battery; and a 10' (3 m) console or Envoy power cable. Can be used with a wireless Vantage Pro2™ or a Vantage Vue® console when extra power is desired. When used with a console, there is not enough room for the console and the large battery in the shelter: house the console in a Universal Shelter, 6618.

Remote Field Cabled Console, Cabled Envoy Installations

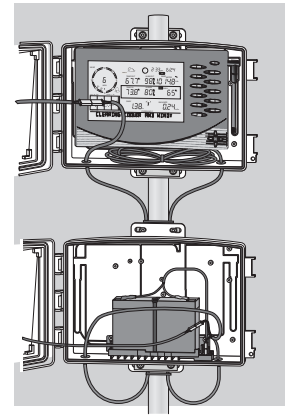


Cabled Vantage Pro2 console in Universal Shelter (6618, top) with Heavy Duty Solar Power Kit (bottom)



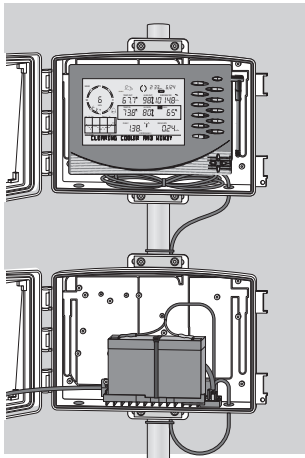
Cabled Weather Envoy with Heavy Duty Solar Power Kit

Low Light Installations

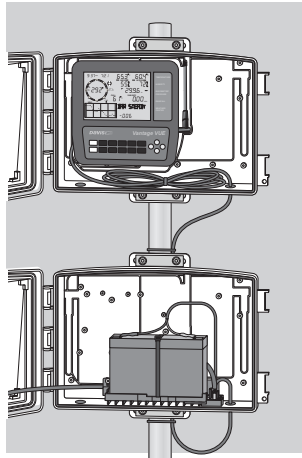


Cabled or wireless (shown) Vantage Pro2 console mounted in Extra Solar Panel Kit (6616, top) with Heavy Duty Solar Power Kit (bottom)

Remote Field Wireless Console Extra Power Installations

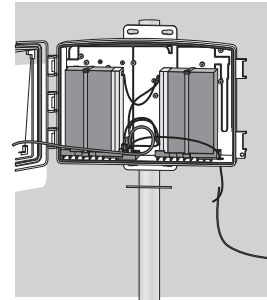


Wireless Vantage Pro2 console in Universal Shelter (6618, top) with Heavy Duty Solar Power Kit (bottom)



Vantage Vue console in Universal Shelter (6618, top) with Heavy Duty Solar Power Kit (bottom)

Two Battery Installations



If needed, 2 batteries can be used; call Tech Support