

**THE RIGHT TOOL!**

## INSTRUCTIONS

### UNIVERSAL DECK PLATE KEY

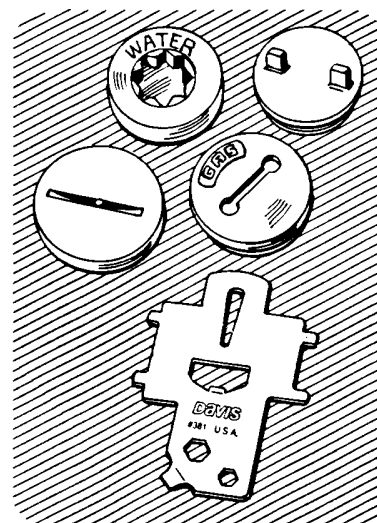
No more looking for the right tool while refueling or filling a water tank.

This handy pocket-sized key fits all deck plate caps: slotted, raised lug, spaced hole, and star (winch handle) type caps. The tool also has common hex sizes: 5/16" (8 mm) for hose clamps and 7/16" (11 mm) for 1/4" (6 mm) bolts.

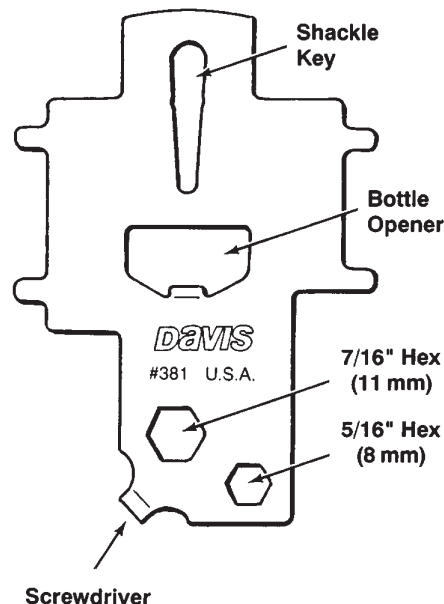
Other designed-in features include a shackle key, a super tough flat screwdriver, and a bottle opener. A wide, flat edge gives good hand leverage when using the shackle key. The hexes are close to the edge for ease of use, and the screwdriver stands out in relief for working in tight places. Constructed of specially hardened stainless steel. Will not corrode or break... ever!

Don't Accept Substitutes! Much stronger and more versatile than the competition.

TIP: Attach a key chain float to the shackle key slot to avoid losing your favorite tool!



*Fits ALL deck plate caps!*



### **Davis Instruments**

3465 Diablo Ave., Hayward, CA 94545 U.S.A.  
Phone (510) 732-9229 • Fax (510) 732-9188  
info@davisnet.com www.davisnet.com