

WINDTRAK™ AV

ANTENNA VANE FOR SAIL & POWER

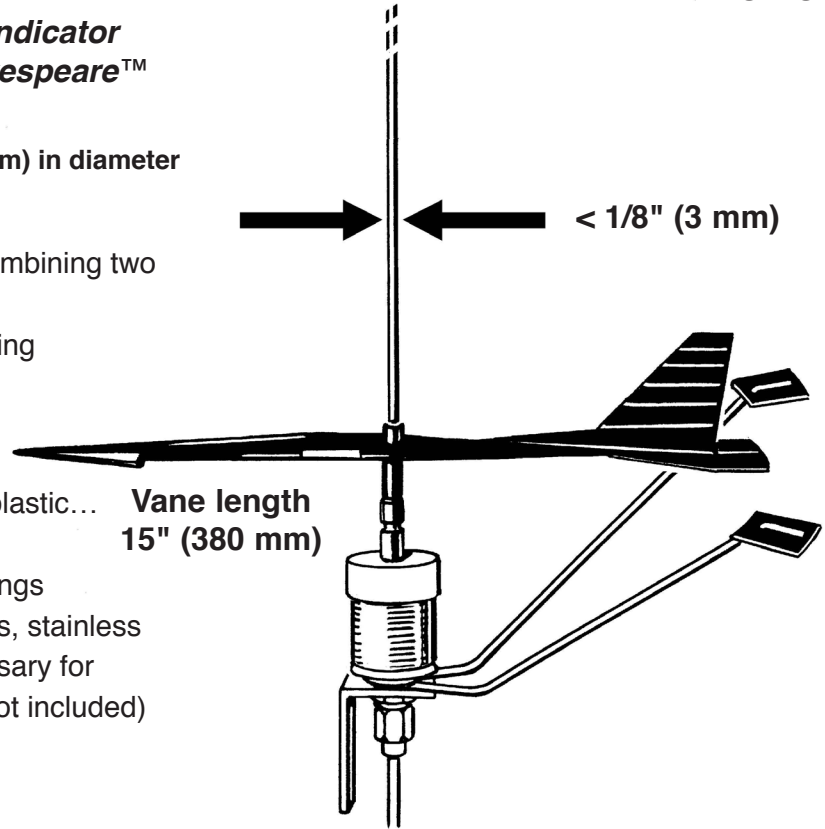
ENGLISH
See separate
document for
instructions in
other
languages

This WindTrak 15" wind direction indicator easily mounts onto Metz™ or Shakespeare™ VHF or AM/FM whip antennas

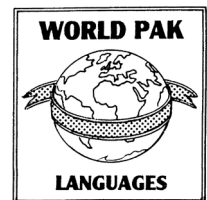
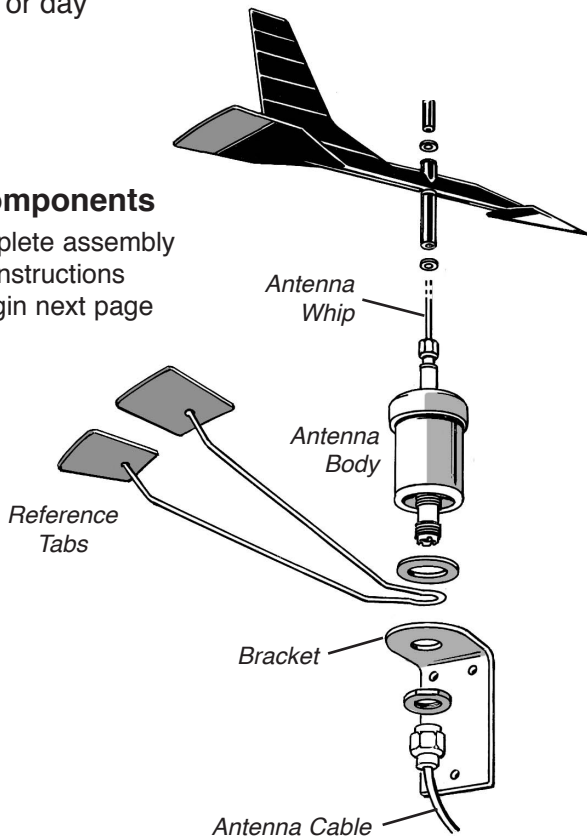
Antenna whip must be less than 1/8" (3 mm) in diameter

WindTrak AV features:

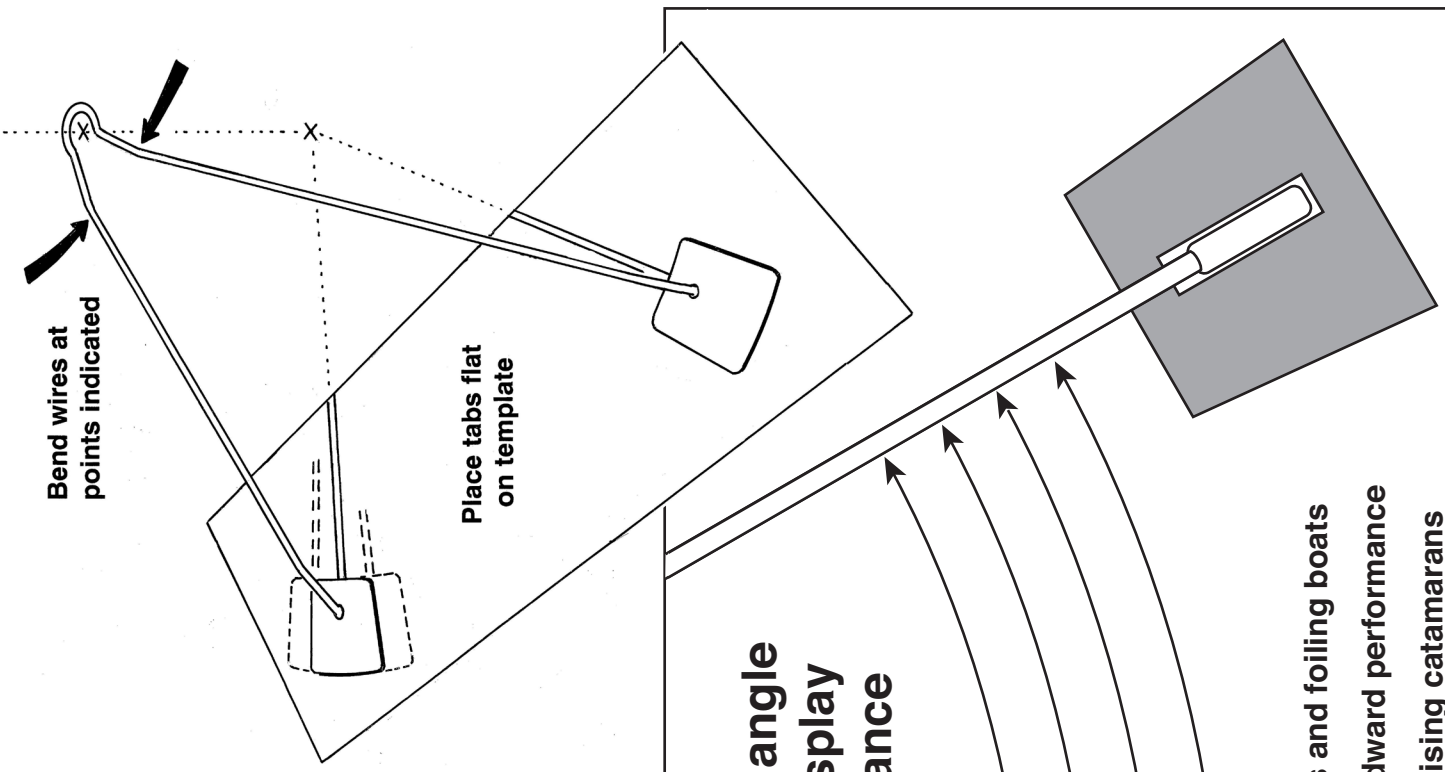
- Reduces weight & windage aloft by combining two installations into one!
- Sensitive and accurate for greater sailing performance
- Aids powerboaters while docking and drift fishing
- Vane of tough, UV rated engineering plastic... **Vane length 15" (380 mm)** light and strong
- Rides on two low-friction Teflon® bearings
- Complete with reflective reference tabs, stainless steel arms, and all components necessary for quick and easy installation (antenna not included)
- Visible night or day



Components
Complete assembly
instructions
begin next page



See separate
document for
international
languages.



WindTrak AV INSTALLATION INSTRUCTIONS

For mounting on Metz™ and Shakespeare™ Squatty Body® antennas.



For use with whip antennas only. Antenna diameter must be less than 1/8" (3 mm).

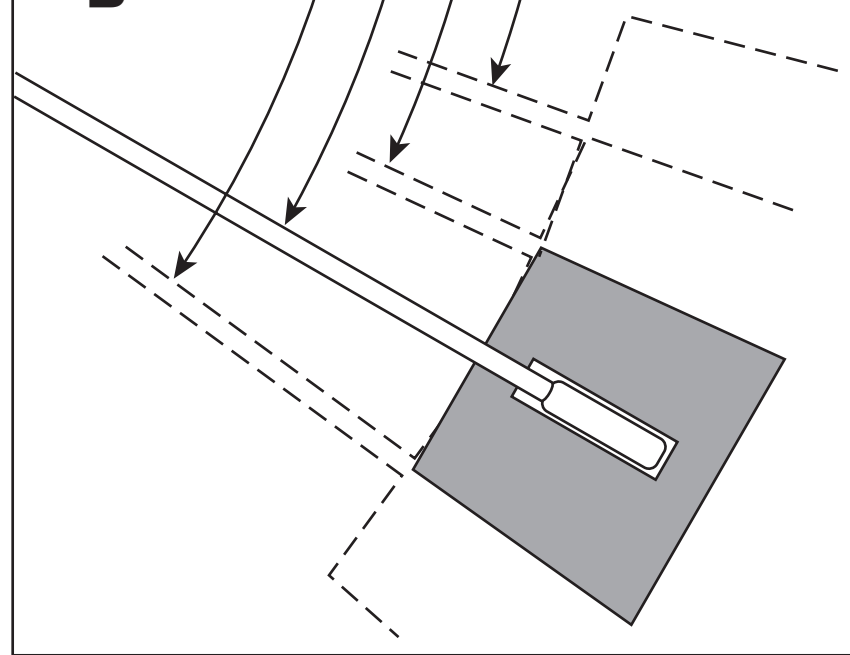
1 Adjust reference tabs.

Bend the tab support wire to the proper angle using the reference tab template included on this page. Tabs should be adjusted before ascending the mast.

Use this template to set the angle of the reference tabs to display apparent upwind performance

65°
60°
55°
50°

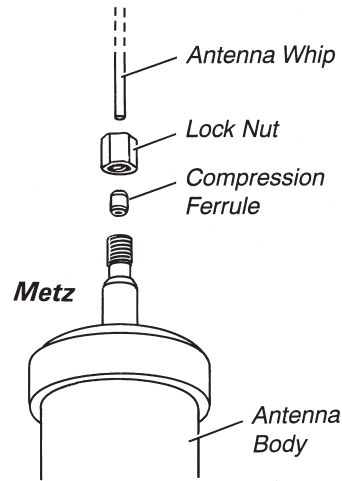
50° for high performance multi-hulls and foiling boats
55° for race boats with extreme windward performance
60° for normal ocean racers and cruising catamarans
65° for heavy cruising boats



2 Remove whip from antenna body.

Metz

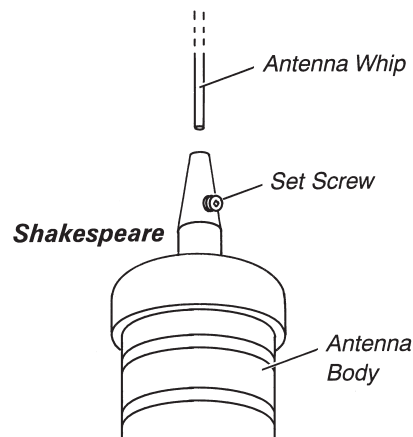
Loosen lock nut so that whip may be removed from antenna body. If you must unthread the nut all the way, be careful not to lose the tiny compression ferrule inside (see drawing).



Shakespeare

Models with removable whip...

Loosen set screw with an Allen wrench.

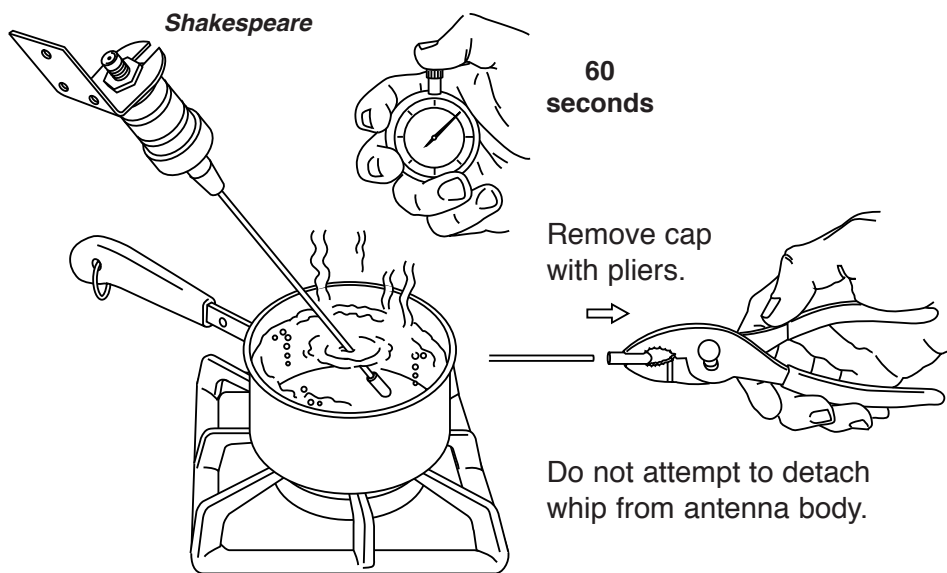


– OR –

Shakespeare

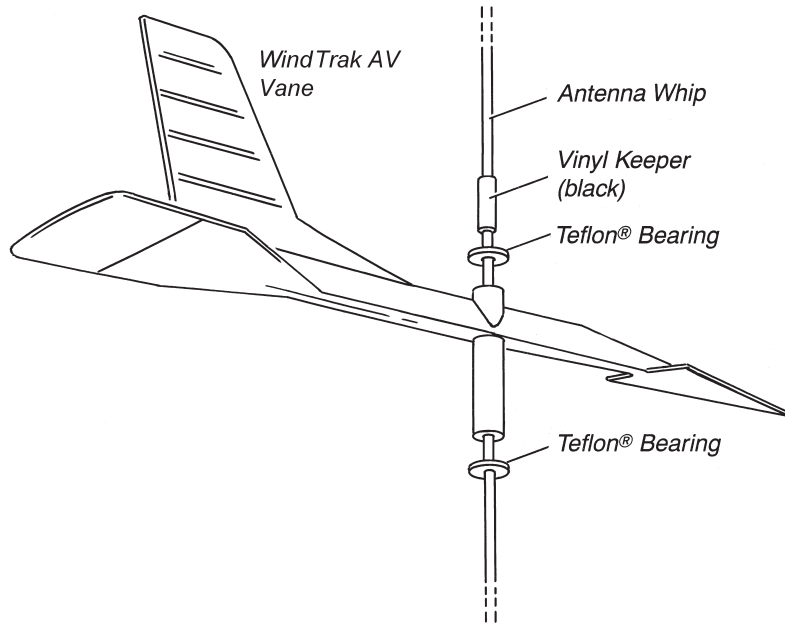
Models with permanent whip...

Place cap in boiling water for 60 seconds.



3 Slide WindTrak AV vane components onto whip.

Install in the order shown:



4 If you removed the whip, reinsert it into the antenna body.

Tighten lock nut or set screw.

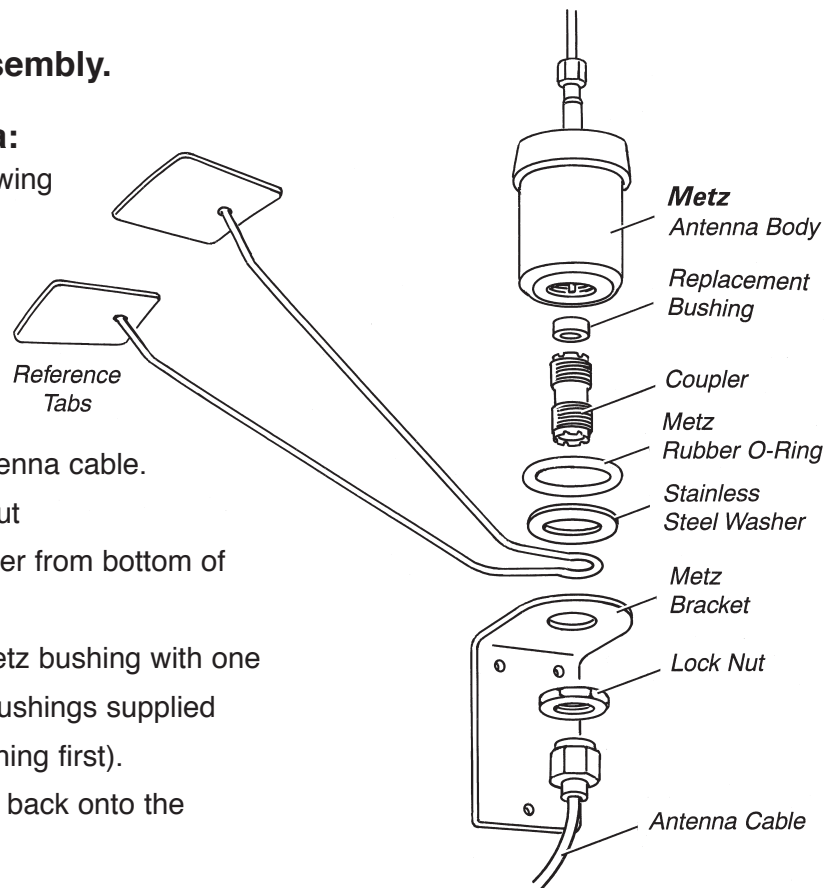
Slide vinyl keeper down so vane is held in place yet turns freely.

5 Final Assembly.

Metz antenna:

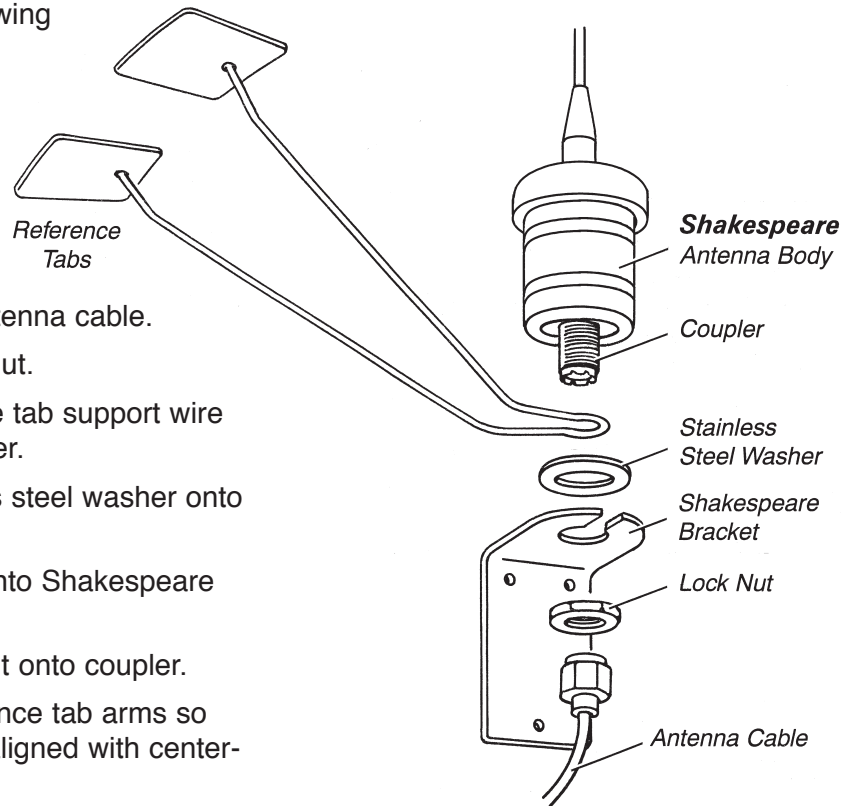
Refer to the drawing at right.

- Disconnect antenna cable.
- Remove lock nut
- Unthread coupler from bottom of antenna body.
- Replace the Metz bushing with one of two plastic bushings supplied (try thicker bushing first).
- Thread coupler back onto the antenna body.
- Place Metz O-ring in position.
- Place stainless steel washer under O-ring.
- Slide the reference tab support wire onto the coupler.
- Insert coupler into Metz bracket.
- Thread lock nut onto coupler. If not enough threads are available to secure lock nut, remove coupler and replace bushing with thinner bushing supplied. Repeat assembly.
- Position reference tab arms so they face aft, aligned with centerline of boat.
- Tighten lock nut.
- Reconnect antenna cable.



Shakespeare antenna:

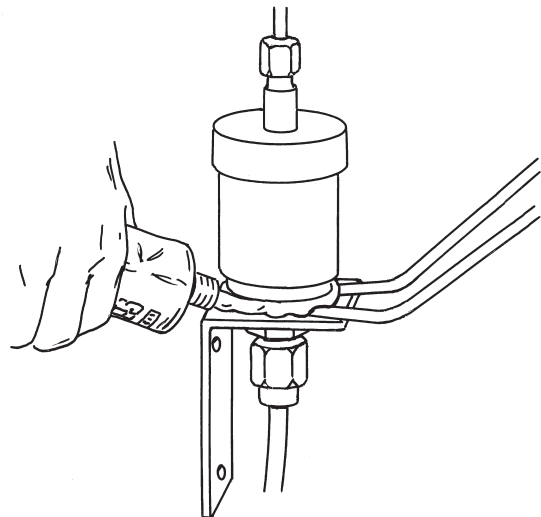
Refer to the drawing at right.



- Disconnect antenna cable.
- Remove lock nut.
- Slide reference tab support wire onto the coupler.
- Place stainless steel washer onto coupler.
- Slide coupler into Shakespeare bracket.
- Thread lock nut onto coupler.
- Position reference tab arms so they face aft, aligned with center-line of boat.
- Tighten lock nut.
- Reconnect antenna cable.

6 Weatherproof coupler connection.

Squeeze a bead of silicone adhesive around the gap where the reference tab wire meets the bracket.



Tips for using your WindTrak:

- Always assemble your WindTrak with Loctite® or use silicone seal on the threads to eliminate the possibility of the unit unscrewing in use from vibration.
- Prior to unstepping your mast, take your WindTrak down first.
Periodically check the assembly screws holding your WindTrak together.
- Lubrication is never needed, but years of salt or dirt build-up should be rinsed off with fresh water occasionally.

Replacement Parts for WindTrak AV

Spare parts can be ordered from your local dealer or from Davis; identify which model you have before calling.

3161 Spare Vane for Windex AV

The Complete WindTrak Line...

WindTrak models are available for every sailor's needs.

- 3120 WindTrak 10**
10" (25 cm) vane,
for small boats and dinghies
- 3150 WindTrak 15**
15" (38 cm) vane,
the choice for most sailors
- 3160 WindTrak AV**
15" (38 cm) vane, for mounting
on whip antennas, combining two
installations in one

Davis Instruments

3465 Diablo Avenue, Hayward, CA 94545 U.S.A.
info@davisinstruments.com

www.davisinstruments.com

3160–WEB-B English
September 2023