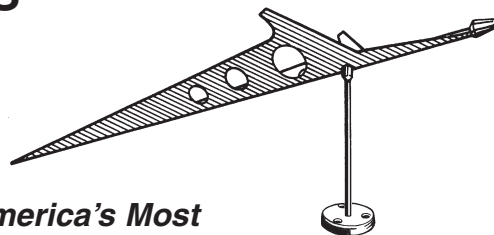


Spar-Fly™

INSTRUCTIONS

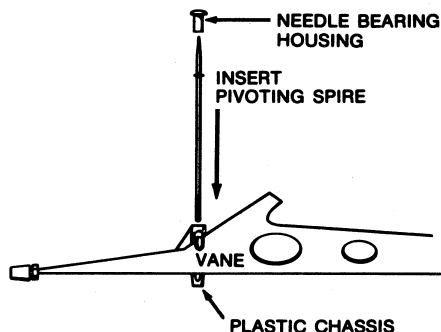
Davis Spar-Fly is a wind indicator which mounts on any mast-head. Spoiler holes reduce lift and increase accuracy. Needle bearing balance provides high sensitivity. Highly visible from deck. High impact plastic vane and marine grade metals for unsurpassed durability. Weighs only 1.25 oz. (35 g). Spar-Fly is unaffected by angle of heel. Hardware included for either top mounting or quick-release side mounting.



America's Most Popular Wind Finder!

Assembling the Vane

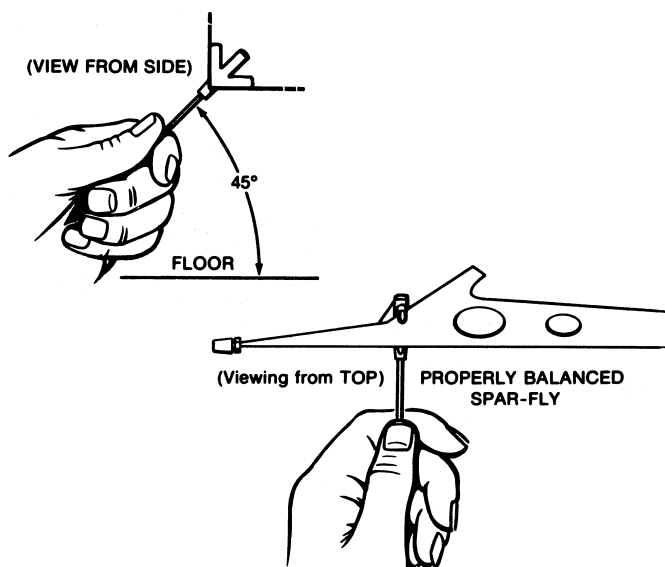
Insert spire downward from top into plastic chassis (as shown below).



Do NOT attempt to insert from the bottom. Follow these instructions precisely. Now, with finger, press needle bearing housing into hole in top of plastic chassis. Continue to press housing against a solid object (such as a table) until it is seated, but don't press so hard that spire bearing becomes jammed. Test to make sure vane spins freely on spire. No lubrication is necessary.

Balancing the Unit

Hold Spar-Fly at a 45° angle to the floor and adjust weight and locking nut until it is in lateral balance (as shown below).

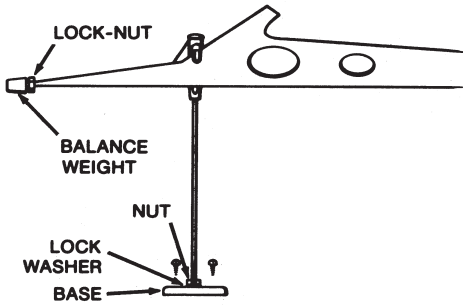


When balanced, tighten nut. Test sensitivity by walking past Spar-Fly in a closed area before mounting.

Mounting Spar-Fly

Once spire is in place and unit is balanced, choose one of two mounting methods:

Using the Top Mount Fitting. Screw on nut, lock washer, and mounting base.



On wood spars, attach base to masthead using long brass wood screws.

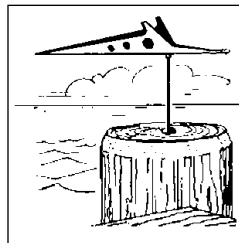
On metal spars, use stainless steel self-tapping screws provided. Otherwise drill and tap a 6-32 hole to take the threaded spire, then install nut and lock washer and tighten.

Using the Quick-Release Side Mount. Position side mount as high as possible on spar to minimize wind turbulence.



On wood masts, use long brass wood screws.

On metal masts, use stainless steel self-tapping screws provided.



TIP: Knowing wind direction makes docking easier. Install a Spar-Fly near your berth.

Replacement Vane is available from your local dealer or Davis Instruments. Ask for #1311.

Davis Instruments

3465 Diablo Ave., Hayward, CA 94545 U.S.A.
Phone (510) 732-9229 • Fax (510) 732-9188
info@davisnet.com www.davisnet.com