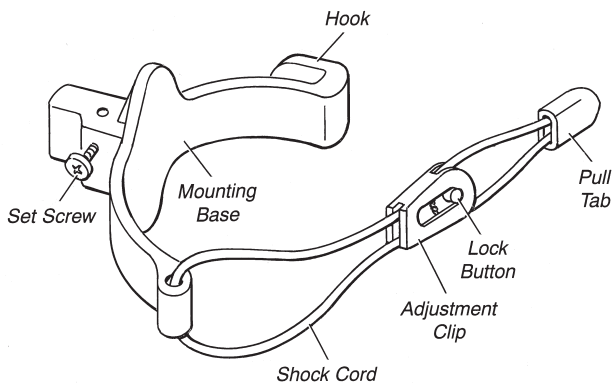
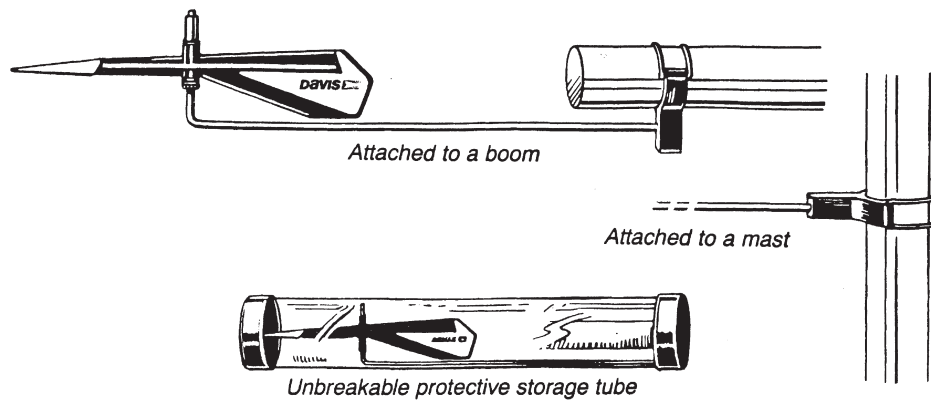




**BLACK
MAX™**
Wind Direction
Indicator

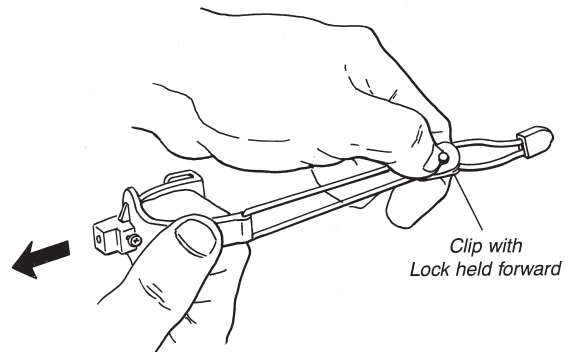
Black Max™ is a versatile, high performance wind direction indicator that attaches quickly to masts and booms on most small boats such as Lasers and Sunfish. The tough, high impact plastic vane is designed to withstand years of punishment and the abuse of small boat sailing. The stainless steel mounting arm and set screw, as well as a tough plastic mounting base, add to the system's durability. Wind vane length 8" (20 cm). Unique adjusting system fits masts or booms from 1 1/2–2 1/2" (38 to 64 mm). Comes in an unbreakable, protective storage tube.



MOUNTING INSTRUCTIONS

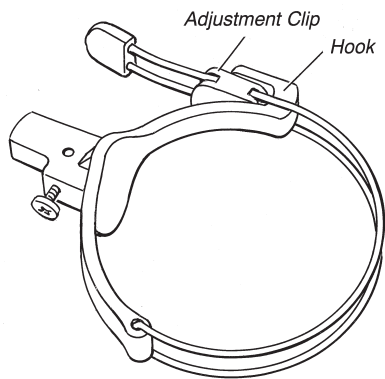
Adjustable for masts or booms between 1 1/2–2 1/2" (38–64 mm)

- Adjust the shock cord to fit snugly around the mast or boom. **To tighten**, draw cord through the adjustment clip using the pull tab. **To loosen**, slide the lock button forward (away from the mounting base). Then prevent the lock button from sliding back by placing your thumbnail against it while you pull the cord back through the adjustment clip.

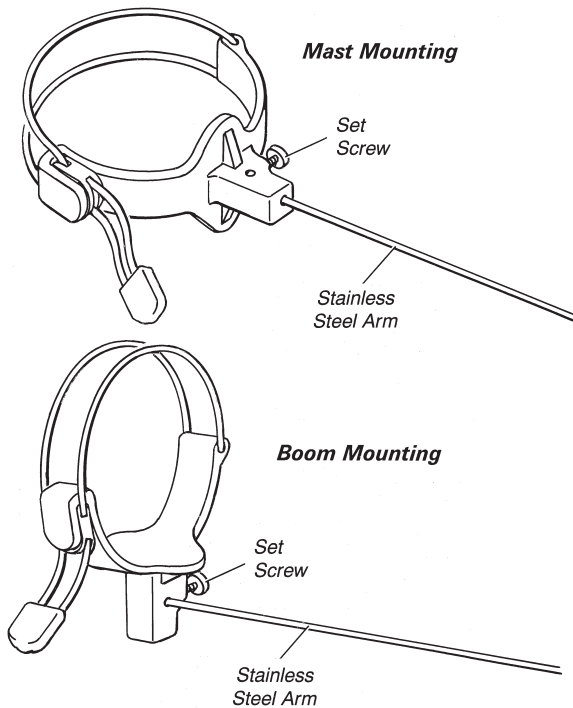


Continued...

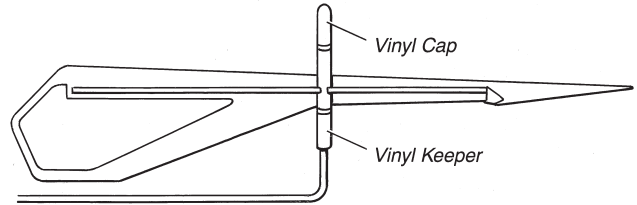
- Wrap shock cord around mast or boom, stretching it until the clip is captivated by the hook on the mounting base.



- Insert the Black Max stainless steel arm into the mounting base and tighten set screw. Two holes are provided, allowing mast or boom mounting:



- Adjust the vinyl keeper so Black Max turns freely yet doesn't have too much play.



Replacement Parts

Contact your dealer or Davis Instruments to order replacement parts.

1452 Black Max Extra Vane

Davis Instruments

3465 Diablo Ave., Hayward, CA 94545 U.S.A.
 (510) 732-9229 • Fax (510) 732-9188
 support@davisinstruments.com

www.davisinstruments.com