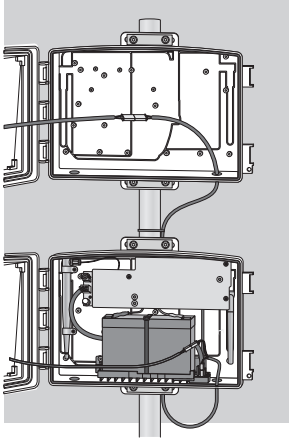
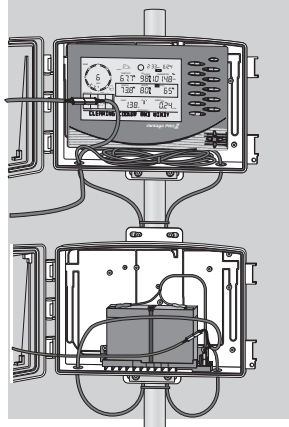


Using an Extra Solar Panel Kit

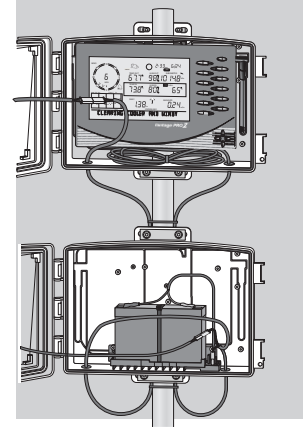
Use an Extra Solar Panel to maximize solar charging for installations where sunlight is limited by using two solar panels to charge the battery. The Extra Solar Panel Kit includes a 5-watt solar panel, a weather-resistant shelter, and a 4' (1.2 m) Y-cable.



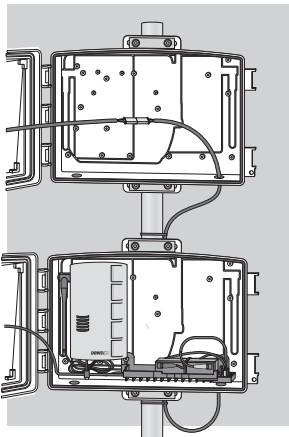
Vantage Connect® (6620, bottom)
with Extra Solar Panel Kit (top)



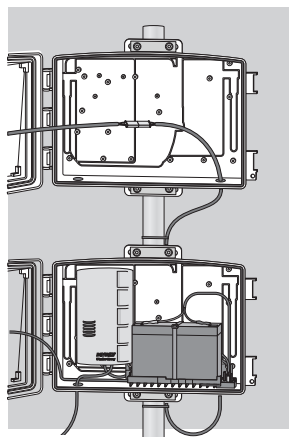
Cabled Vantage Pro2 console mounted
in Extra Solar Power Kit (top) with
Heavy Duty Solar Power Kit (6612, bottom)



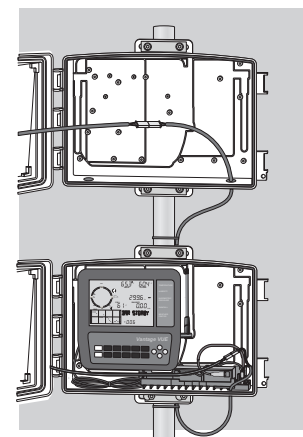
Wireless Vantage Pro2 console mounted
in Extra Solar Power Kit (top) with
Heavy Duty Solar Power Kit (6612, bottom)



Wireless Weather Envoy mounted
in Solar Power Kit
(6614, bottom) with
Extra Solar Panel Kit (top)



Cabled Weather Envoy mounted
in Heavy Duty Solar Power Kit
(6612, bottom) with
Extra Solar Panel Kit (top)



Vantage Vue Console mounted
in Solar Power Kit
(6614, bottom) with
Extra Solar Panel Kit (top)