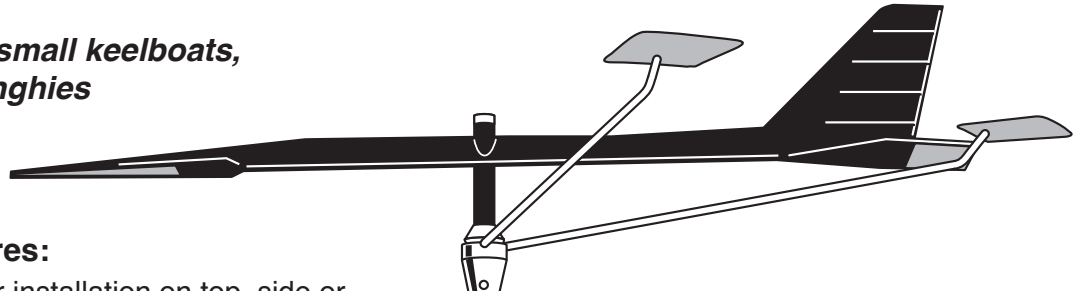


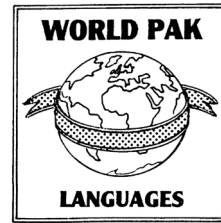
WINDTRAK™ 10

10" wind vane for small keelboats, sportboats and dinghies



WindTrak 10 features:

- J-Base™ mount for installation on top, side or front of most masts
- Sapphire jewel bearing for super low friction and extra sensitivity
- Vane length 10" (25 cm), weighs just 1.2 ounces (31 grams)
- Vane and tabs feature reflectors for excellent visibility day and night
- Responds in wind as low as 0.2 knot
- Wind tunnel tested to 80 knots



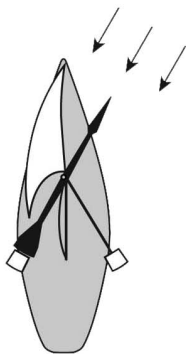
**Vertical
(side)
Mount**



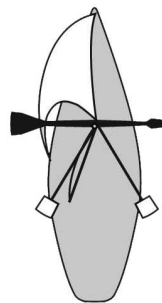
**Horizontal
(top)
Mount**

The glass-filled polycarbonate J-Base mounts vertically or horizontally on the side, front or top of most masts. Comes with two #10 (5 mm) self-tapping screws.

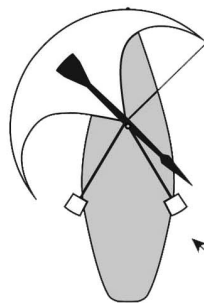
WindTrak vane positions at different apparent wind angles



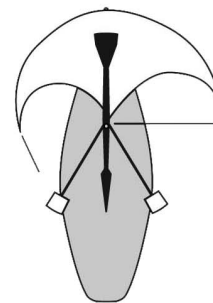
**Going to
Weather**



**Beam
reaching**

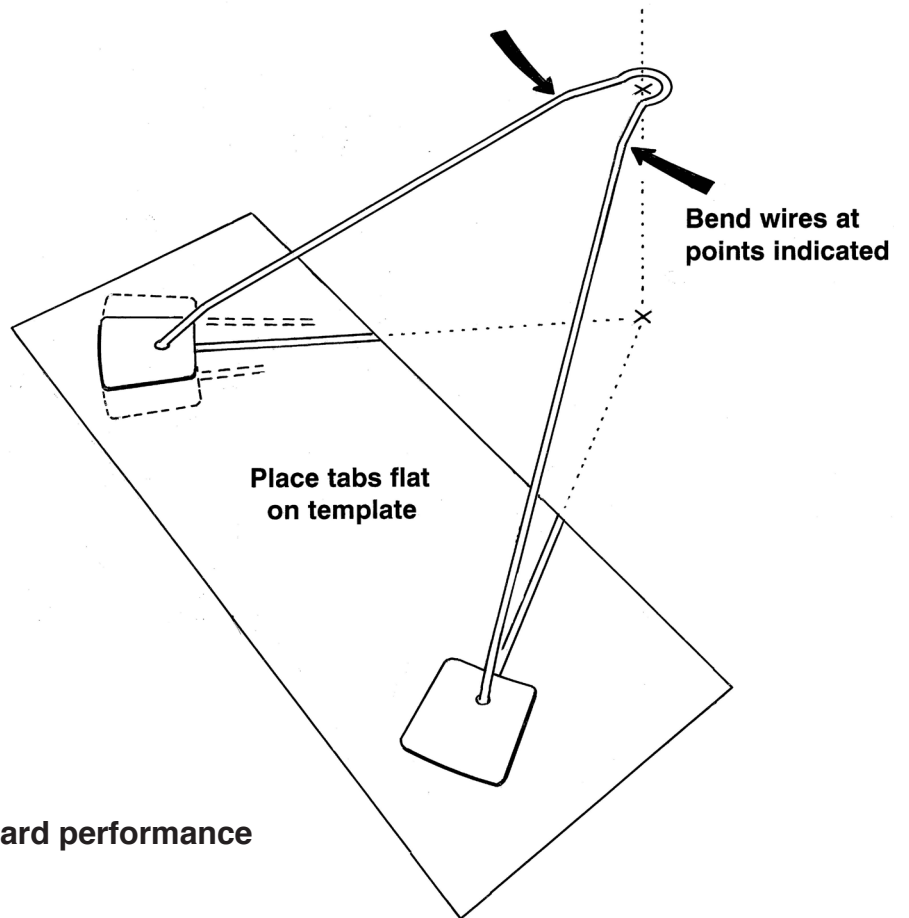


**Broad
Reaching**



**Running
Downwind**

To adjust the tacking arm angle to match upwind performance, refer to the template on the next page.

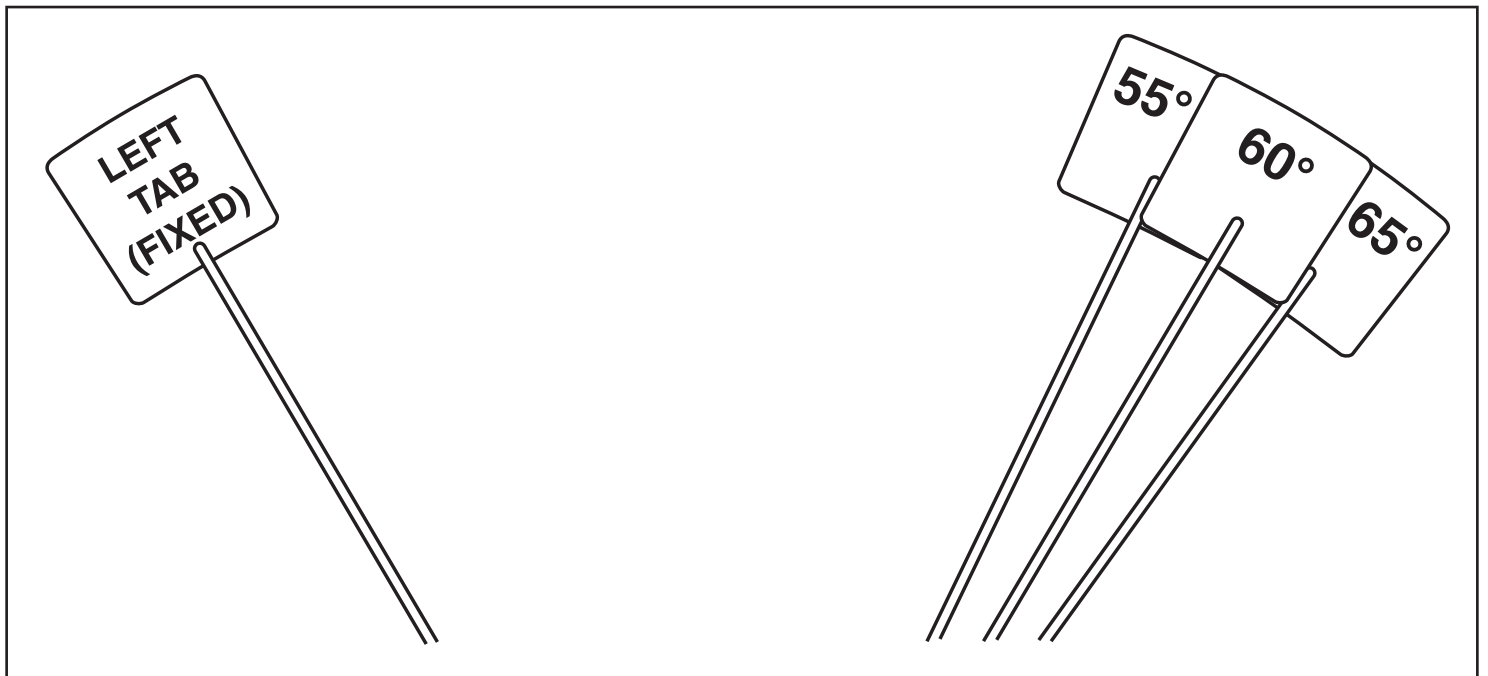


TAB ANGLE ADJUSTMENT

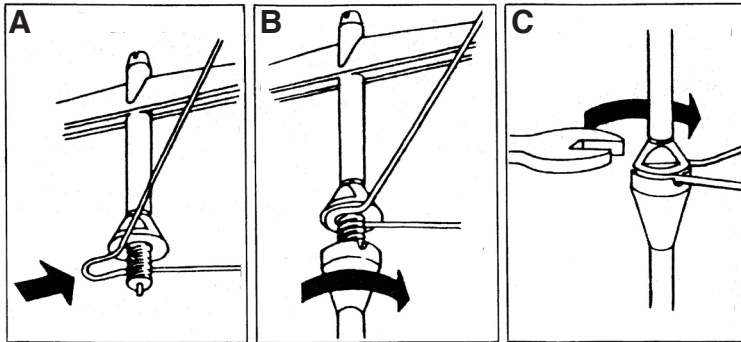
55° for boats with good windward performance

60° for normal ocean racers

65° for normal day cruisers

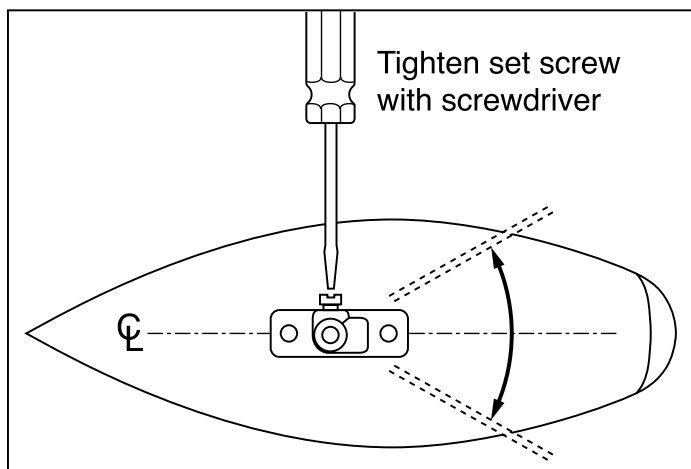


ATTACHING VANE & TACKING ARM TO SUPPORT SHAFT



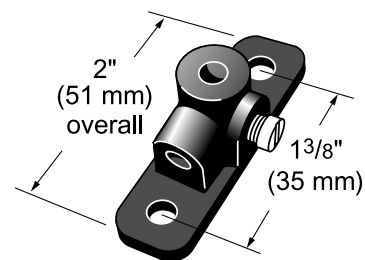
- A. Slide crook of tab assembly wire over vane threads.
- B. Apply silicone sealant or Loctite® to vane threads.
- C. Completely tighten with wrench until snug.

INSTALLATION ALOFT



Align WindTrak 10 with centerline of boat, apply silicone sealant or Loctite® to the set screw and tighten. Tab angle should be preset at approximately 55, 60, or 65°, depending on upwind performance.

THE J-BASE



The J-Base comes with two #10 (5 mm) self-tapping screws. Drill a pilot hole in mast, apply silicone sealant or Loctite® and screw into mast. Installation of J-Base can be accomplished by tapping the mast for 3/16" (5 mm) machine screws or by using epoxy putty to affix the base to the mast.

Girouette conçue pour les petits bateaux et les dinghies. Montez la base horizontalement ou verticalement avec les 2 vis fournies. Employez une pâte étanchéifiante aux silicones sur tous les filets. Passez le fil dans la girouette (A), enduisez de pâte d'étanchéité, et vissez l'axe de support (B) et serrez (C). Placez la girouette dans l'alignement du bateau et réglez les taquets à 55, 60 et 60° en fonction de la force de vent anticipée (D).

Veleta diseñada para botes aquillados más pequeños y chinchorros. Instalar la base horizontal o verticalmente utilizando los dos tornillos que se incluyen. Usar sellante silicónico en todas las piezas roscadas. Deslizar el alambre de la orejeta en la veleta (A), aplicar el sellante, enhebrarlo en el eje de apoyo (B) y apretar (C). Alinear la veleta con la línea central del bote y ajustar las orejetas a un ángulo de 55, 60 ó 65 grados, dependiendo del comportamiento en dirección contra el viento (D).

Windfahne ausgelegt für kleinere Kielboote und Dingis. Den Sockel horizontal oder vertikal mit zwei Schrauben (mitgeliefert) montieren. Silikondichtung an allen Gewindeteilen verwenden. Den Fahnendraht auf die Windfahne (A) schieben, Dichtungsmittel auftragen, auf die Stützstange (B) aufschrauben und (C) anziehen. Windfahne mit Mittellinie des Boots ausrichten und Fahnendraht auf 55, 60 oder 65 Grad einstellen, je nach Aufwindleistungsfähigkeit (D).

Freccia segnamento per barche a chiglia piatta e dinghy. Installare la base in orizzontale o in verticale utilizzando le due viti incluse. Sigillare con silicone tutte le parti filettate. Inserire il cavo attorno all'asse (A), applicare il materiale sigillante, avvitare nell'asse di supporto (B), e stringere (C). Allineare il segnamento con l'asse centrale della barca e regolare ad un angolo di 55, 60 o 65 gradi a seconda delle prestazioni con vento in prua.

Cata-vento concebido para embarcações de pequeno porte, como chatas e botes pneumáticos. Instale a base na horizontal ou na vertical, utilizando os dois parafusos incluídos. Utilize vedante de silicone em todas as partes roscadas. Encaixe o arame das aletas no cata-vento (A), aplique o vedante, enrosque no veio de suporte (B) e dê aperto (C). Alinhe o cata-vento com a linha central da embarcação e ajuste a posição das aletas para 55, 60 ou 65 graus, por forma a obter o melhor desempenho em função do vento predominante (D).

Флюгер, рассчитанный для небольших килевых лодок и шлюпок. С помощью двух прилагаемых винтов прикрепить основание либо горизонтально, либо вертикально. Нанесите слой кремнийорганического герметика на все резьбовые детали. Установите петлю триммерной проволоки вокруг резьбы оси флюгера (А), нанесите слой герметика на резьбу, навинтите флюгер на опорный вал (В) и затяните (С). Выровняйте флюгер с осевой линией судна и отрегулируйте триммеры на 55, 60 или 65 градусов в зависимости от способности судна идти против ветра.

वायू-दिशा सूचक यन्त्र छोटी किशतीयों व रबड की नौका के लिये बनाई गई है। तल पर समतल या लम्बरूप में दो सकरियू (पेंच) जो शामिल है, लगायें। सिलिकोन की लेप को सारे धागे के हिसे पर लगायें। सूचक यन्त्र पर तार खिसकायें। (1), लेप लगायें, लम्बे धुरे को सहारे के लिये सूत्र चढायें (2) और कसें (3) सूचक यन्त्र को किशती के दरमिआन में साथ मिलायें और टैब को 55, 60 व 65 डिगरी पर समायोजन करें, वायू की प्रतिकूल क्रिया की योग्यता पर निर्भर करते हुये।

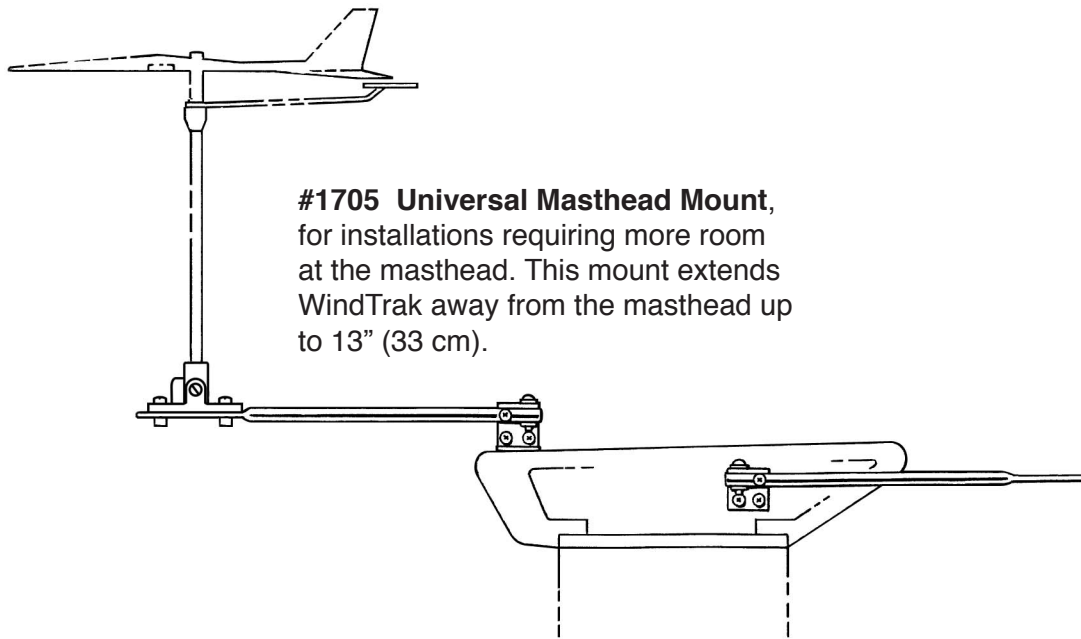
小型キールボートおよびディングー用風見ベースを添付のネジ2本で水平または垂直に取り付けます。ネジ山のある部品についてはすべてシリコン密封材を使用してください。タブ・ワイヤーを風見に滑らせて入れ(A)、密封材を塗り、支持シャフトにはめ込み(B)、締めてください(C)。風見をボートの中心線に合わせ、逆風に対応する能力により、タブを55度、60度、または65度に調節してください(D)。

مؤشرة إتجاه الريح صممت للقوارب الصغيرة و زوارق التجذيف. ركب القاعدة بشكل أفقي أو عمودي بالإستعانة بالبرغيين المزودين. استخدم عازل سيليكوني على كافة الأسطح المسننة. ازلق السلك فوق المؤشرة (أ)، ثم ضع المادة العازلة واربط العمود المسنن (ب) وشد الرباط (ج). طابق المؤشرة مع خط منتصف القارب ثم اضبط القاعدة بمقدار ٥٥، ٦٠، أو ٦٥ درجة حسب اتجاه الريح القادمة (د).

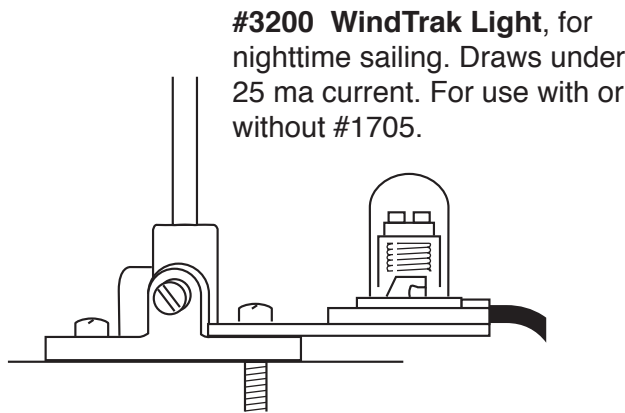
此风标设计用於较小型龙骨船与小舟。用附带的两个螺钉水平或垂直安装基座。在所有带螺纹的部份施加矽酮密封剂。将翼片骨套在风标上(A)·施加密封剂·然后旋入支撑杆内(B)·并旋紧(C)·将风标与船只的中心线对准·根据迎风性能将翼片调整至55度、60度或65度(D)。

소형 선박을 위한 풍향계. 두 개의 스크루를 사용하여 수평 또는 수직으로 설치하십시오. 나사홈이 있는 곳에는 모두 실리콘 봉합제를 바르십시오. 풍향계에 바람판의 줄을 감고 (A), 봉합제를 바른 후, 지지대를 연결하고 (B), 꼭 조이십시오 (C). 풍향계를 선박의 중심선과 일치시킨 후, 바람을 타는 능력에 따라 바람판의 각도를 조절하여 55도, 60도, 또는 65도가 되게 하십시오 (D).

WindTrak 10 Accessories



#1705 Universal Masthead Mount, for installations requiring more room at the masthead. This mount extends WindTrak away from the masthead up to 13" (33 cm).



#3200 WindTrak Light, for nighttime sailing. Draws under 25 ma current. For use with or without #1705.

The Complete WindTrak Line...

WindTrak models are available for every sailor's needs.

- 3120 WindTrak 10**
10" (25 cm) vane,
for small boats and dinghies
- 3150 WindTrak 15**
15" (38 cm) vane,
the choice for most sailors
- 3160 WindTrak AV**
15" (38 cm) vane, for mounting
on whip antennas, combining two
installations in one

Tips for using your WindTrak:

- Always assemble your WindTrak with Loctite® or use silicone seal on the threads to eliminate the possibility of the unit unscrewing in use from vibration.
- Prior to unstepping your mast, take your WindTrak down first.
Periodically check the assembly screws holding your WindTrak together.
- Lubrication is never needed, but years of salt or dirt build-up should be rinsed off with fresh water occasionally.

Replacement Parts for WindTrak 10

Spare parts can be ordered from your local dealer or from Davis; identify which model you have before calling.

- 3101 Spare Vane for WindTrak 10
- R3102 Extra Reference Tab Assembly
- 3125 Extra J-Base for WindTrak 10

Davis Instruments

3465 Diablo Avenue, Hayward, CA 94545 U.S.A.

info@davisinstruments.com

www.davisinstruments.com

3120_WEB-B September 2023