

REINIGUNG BRENNER | BURNER CLEANING

Anleitung | Instruction

AMBRI 480 G EVO

AMBRI 480 G

CHEALSEA 480 G

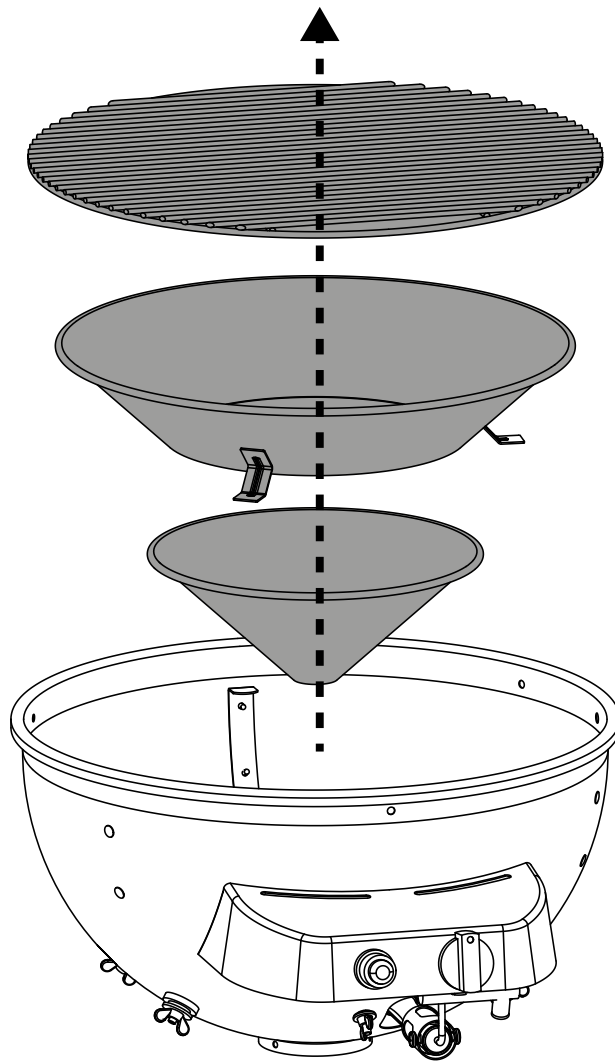
KENSINGTON 480 G

LEON 570 G



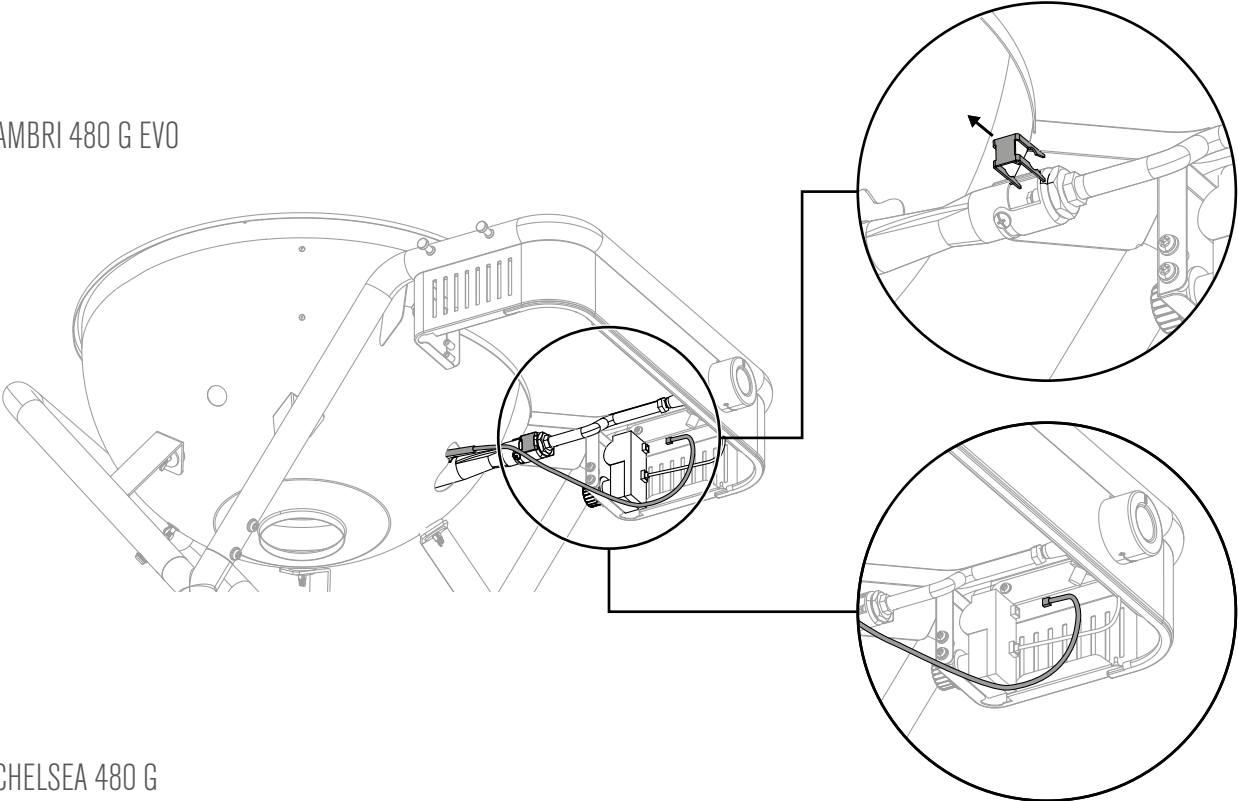
OUTDOORCHEF
SWISS INNOVATION

1.

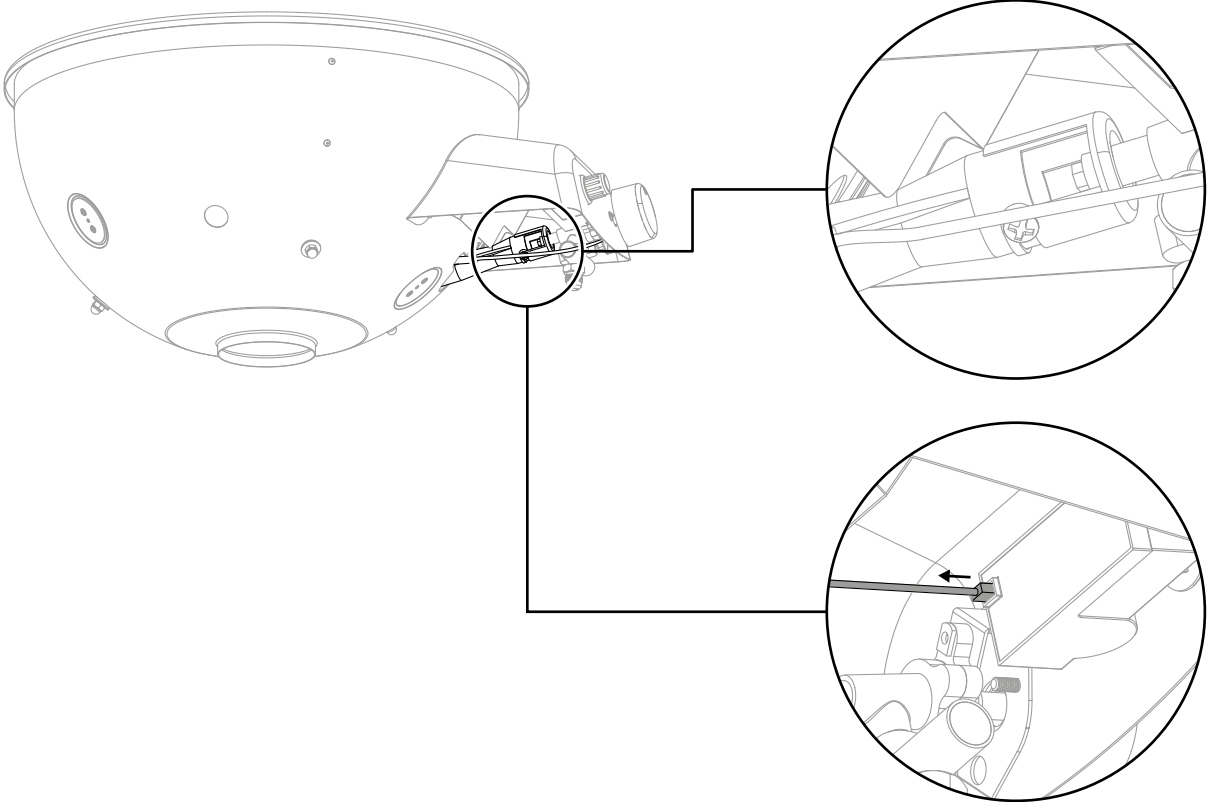


2.

AMBRI 480 G EVO

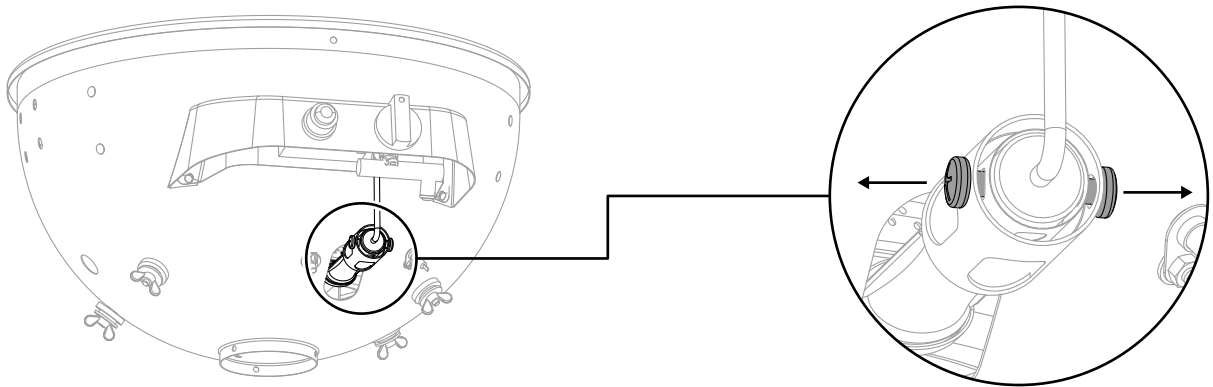


CHELSEA 480 G
KENSINGTON 480 G

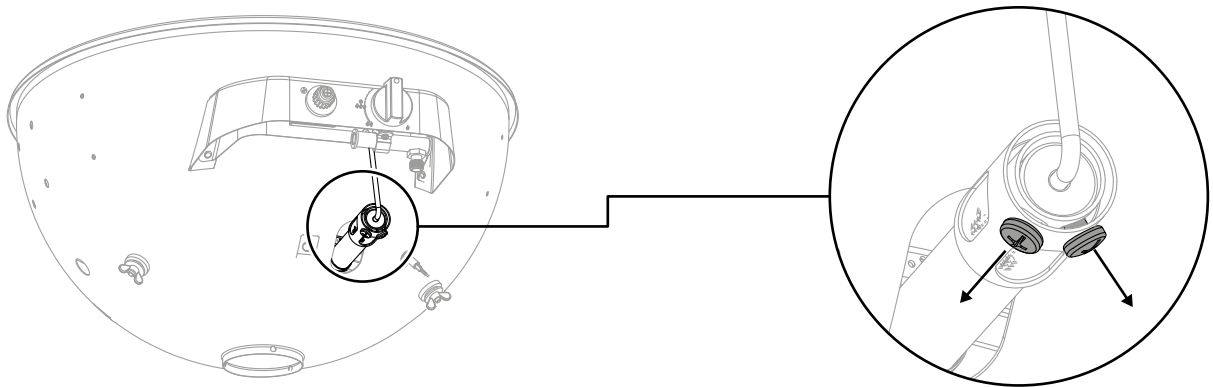


3.

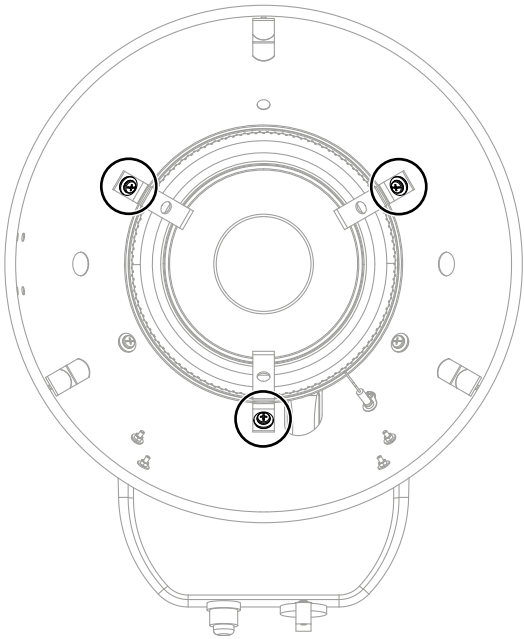
AMBRI 480 G



LEON 570 G

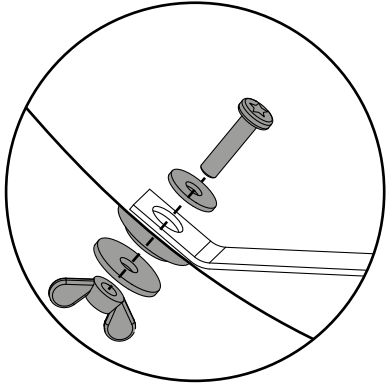


4.

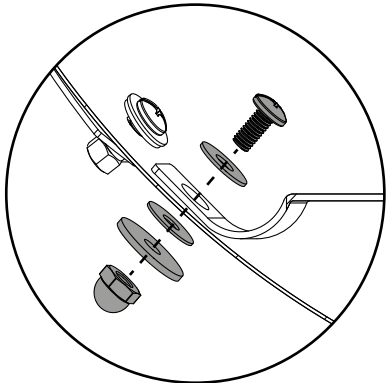


3x →

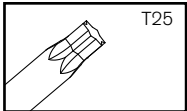
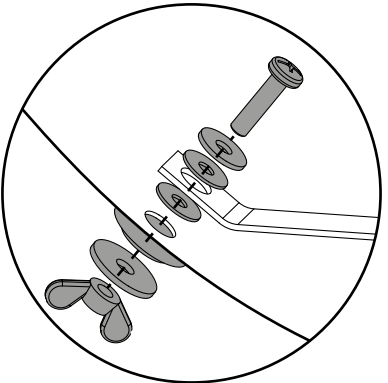
AMBRI 480 G
AMBRI 480 G EVO



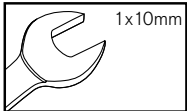
CHELSEA 480 G
KENSINGTON 480 G



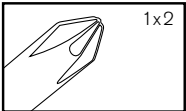
LEON 570 G



T25

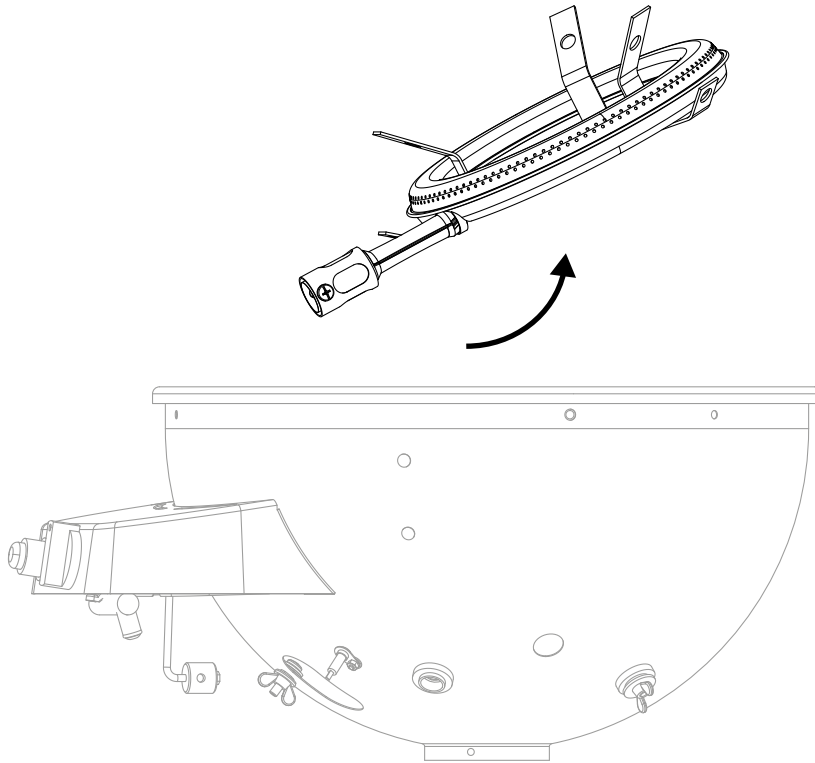


1x10mm



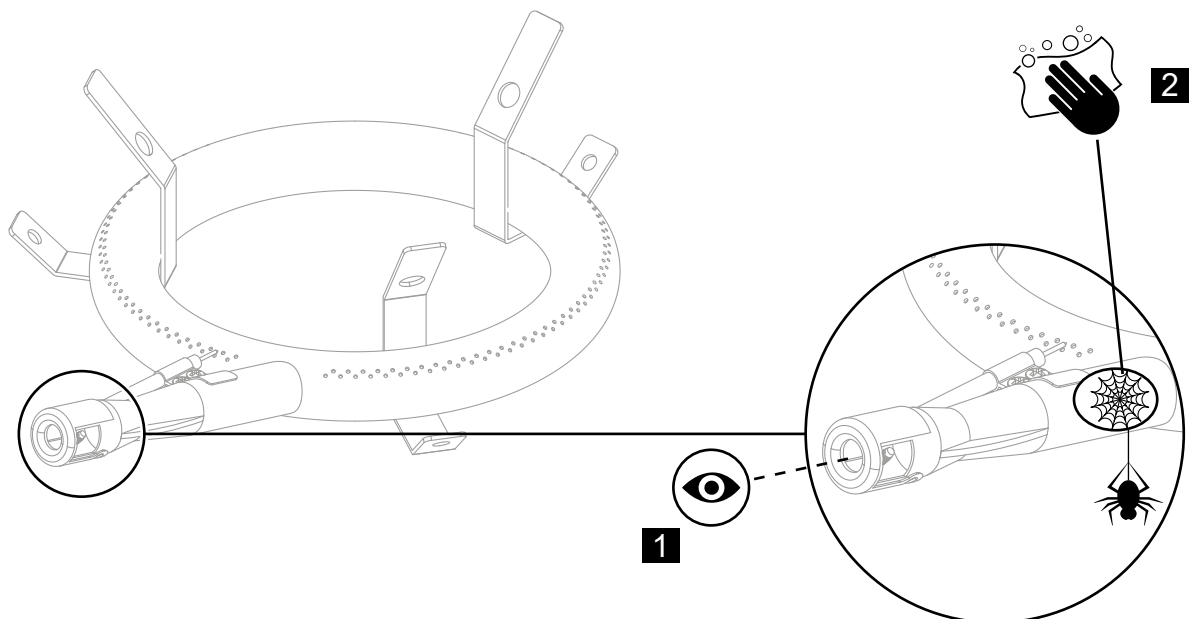
1x2

5.

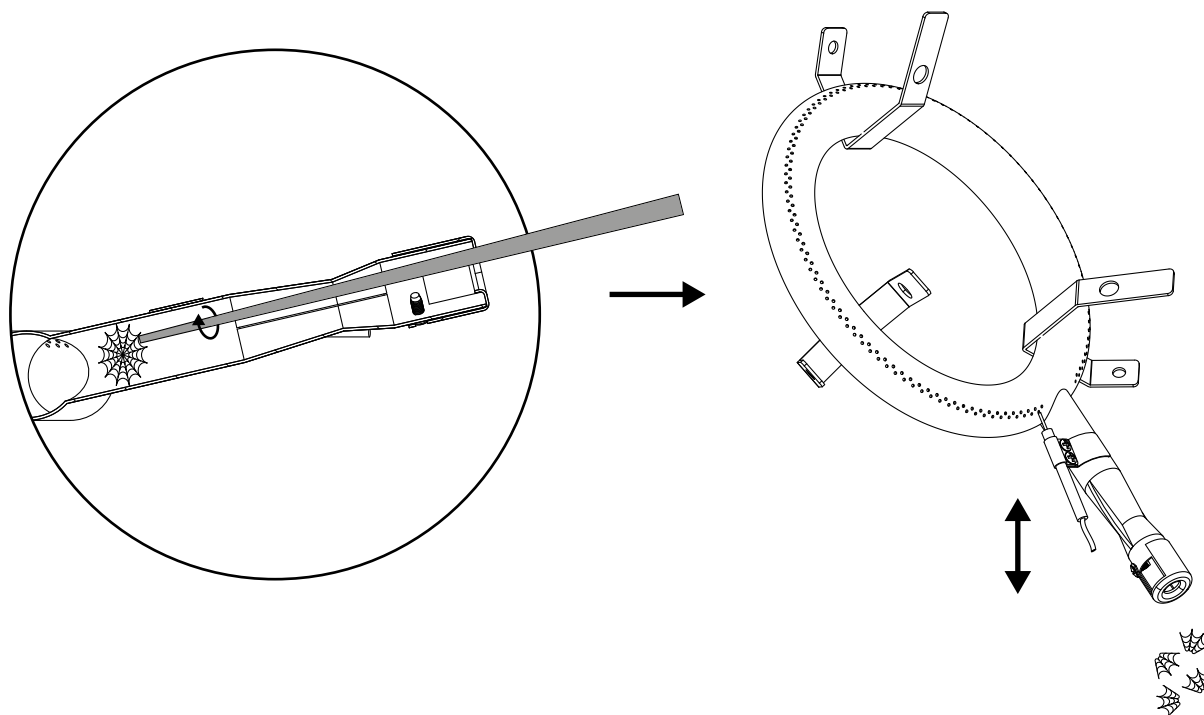


Reinigung | Cleaning

6.

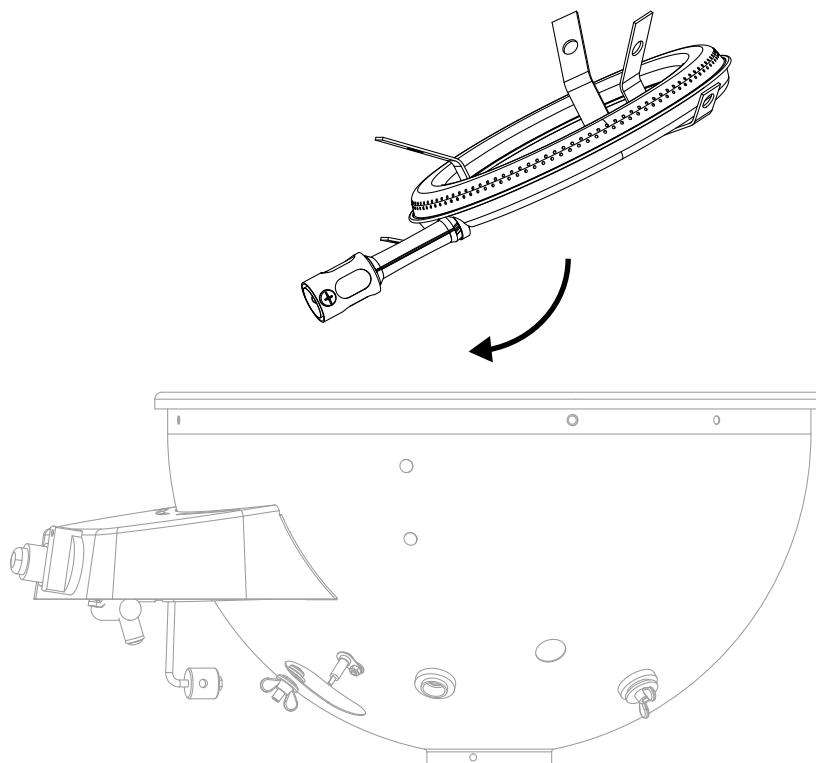


7.



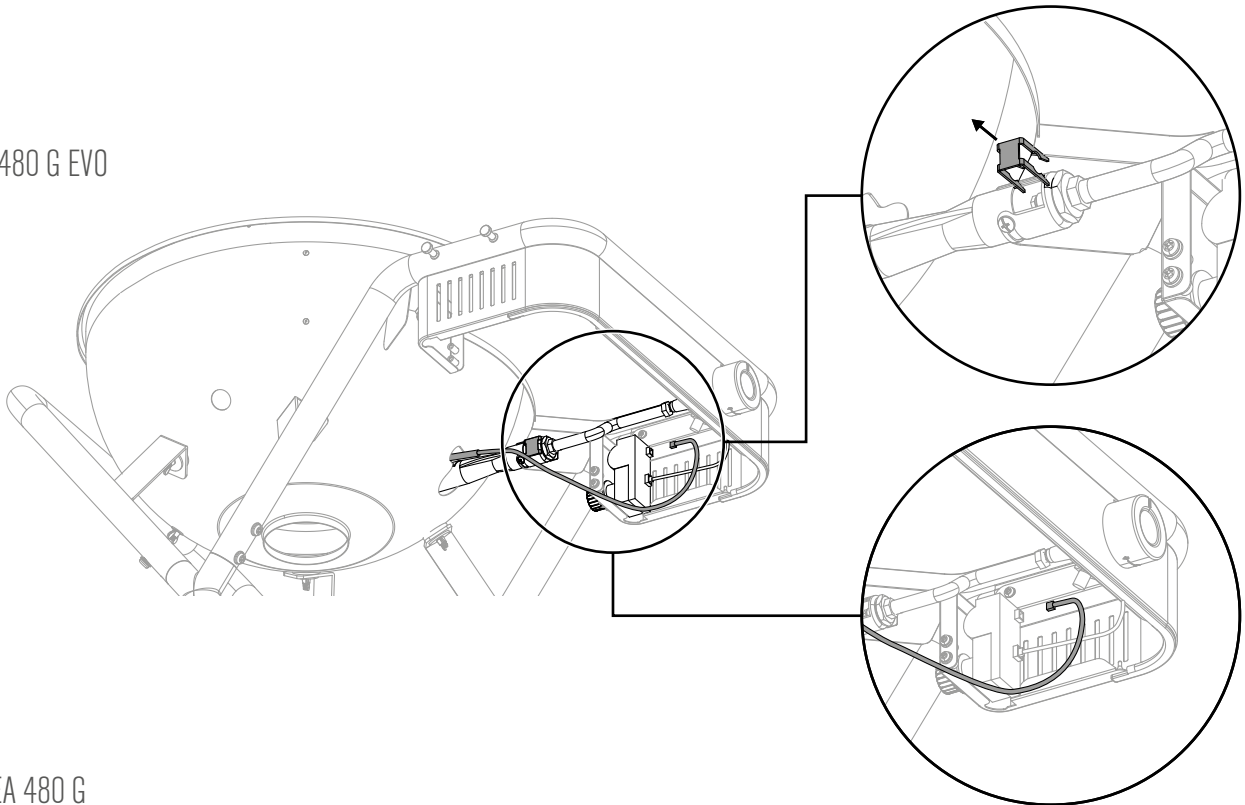
8.

Montage | Assembly

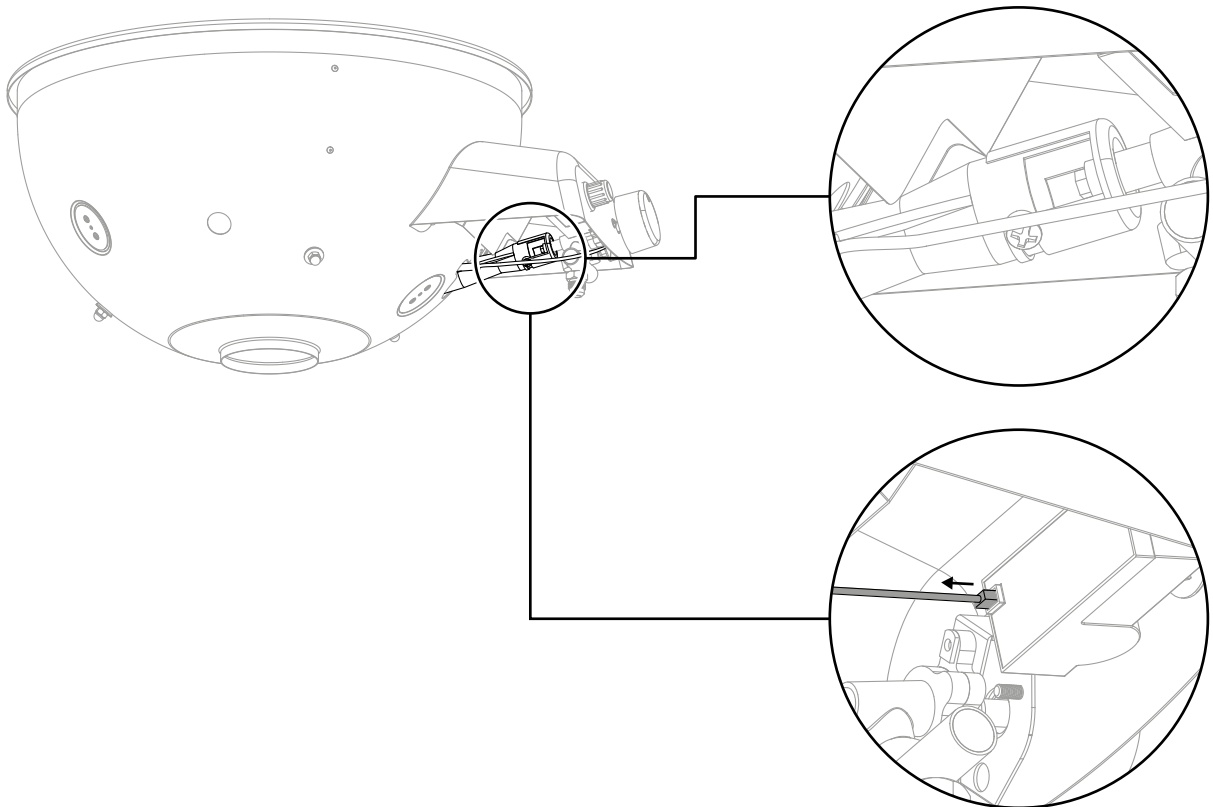


9.

AMBRI 480 G EVO

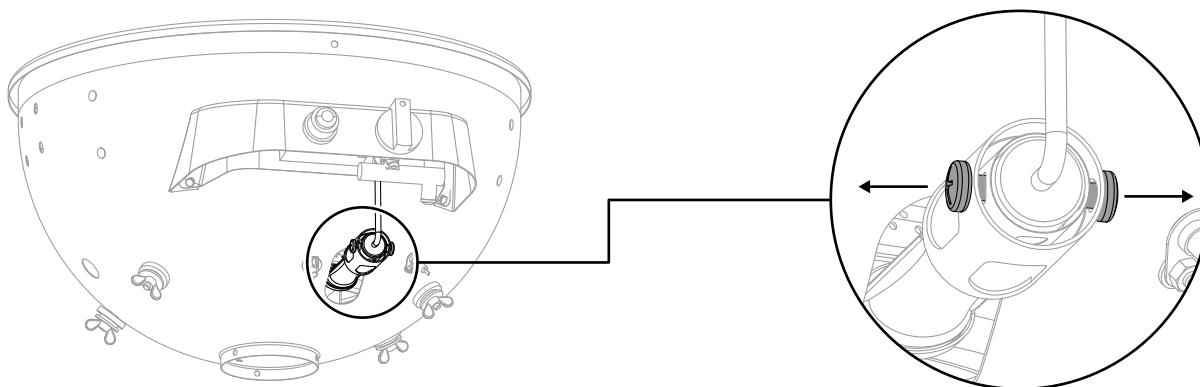


CHELSEA 480 G
KENSINGTON 480 G

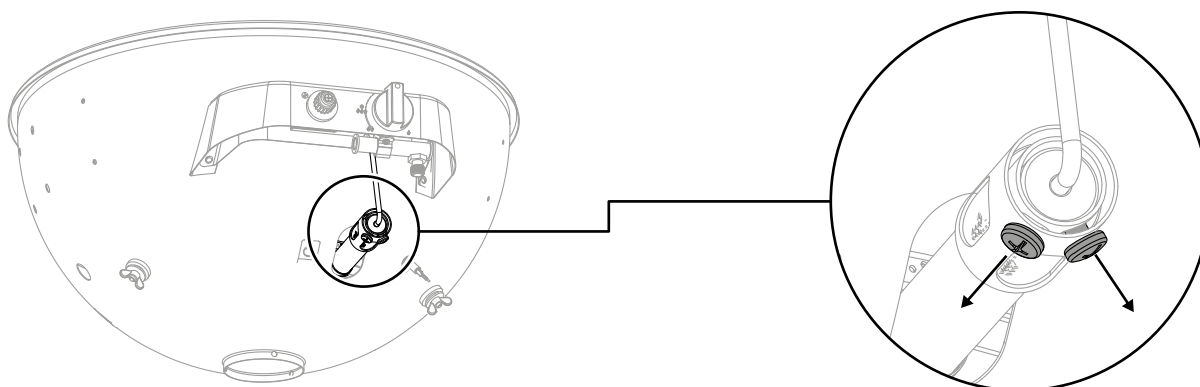


10.

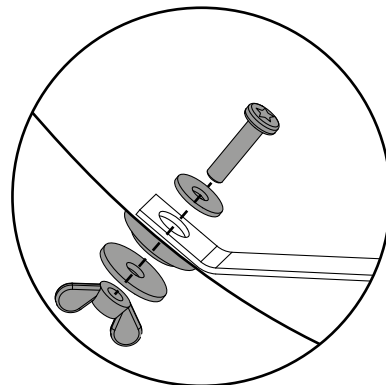
AMBRI 480 G



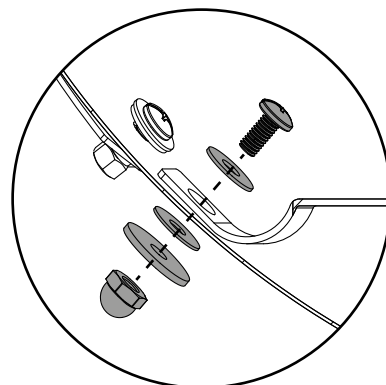
LEON 570 G



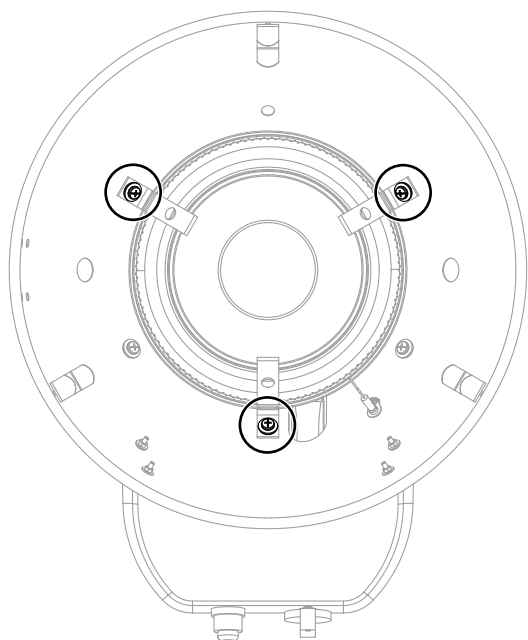
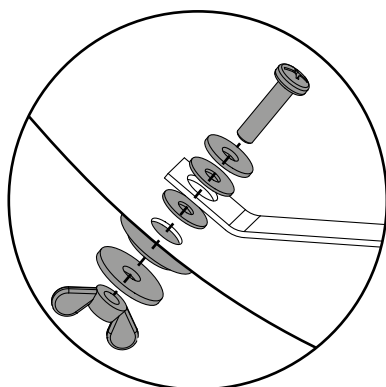
AMBRI 480 G
AMBRI 480 G EVO



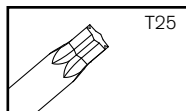
CHELSEA 480 G
KENSINGTON 480 G



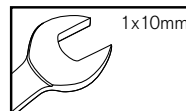
LEON 570 G



3x →



T25



1x10mm



1x2



Outdoorchef AG | Eggbühlstrasse 28 | Postfach | 8050 Zürich | Switzerland
Outdoorchef Benelux B.V. | Databankweg 26 | 3821 AL Amersfoort | The Netherlands
Outdoorchef Austria GmbH | Handelskai 94-96 / 23rd & 24th F | 1200 Vienna | Austria
Outdoorchef Deutschland GmbH | Ochsenmattstr. 10 | 79618 Rheinfelden | Germany